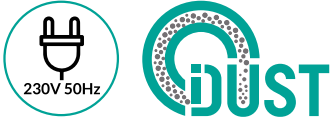
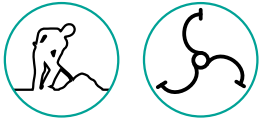


# MIX 80

Planetary mortar mixer with forced action

Mix 80 230V/50Hz - 1 kW  
1194080



Forced speed planetary mixing system:

- Ease and speed in loading premixed products in bags
- Significant reduction in mixing time
- Unmatched homogeneity of the mixture
- Reduction of dust released into the environment



The anti-intrusion grate is an indispensable element and must not be an obstacle to the passage of the material. IMER has adopted an effective patented system to manually scroll the conveyor if necessary, freeing the passage of the material. Useful especially when using fiber-reinforced products.

## Description

Forced speed planetary mixers are the best solution to mix premixed or pre-dosed products in bags in an optimal way and with as little effort as possible.

The exclusive I-DUST Dust Grate with an integrated bag breaker placed in a horizontal position, facilitates the loading of bags of material with minimal effort by the operator. When connected to a vacuum, the I-DUST Dust Grate significantly reduces the dispersion of dust in the surrounding environment.

The homogeneity of the mixed product is unmatched, with total absence of lumps of cement in the case of mortars for floor screeds, or of lumps of fiber in the case of fiber-reinforced products.

If necessary, Mix 80 can be used to mix traditional products, with the maximum mixing performance and homogeneity of the mixture.

Suitable for mixing:

- Premixed or traditional cement screed, also with the addition of fibers and / or additives
- Lightened screed pre-dosed with expanded clay with grain size <10 mm (maximum 1 bag per cycle)
- Self-levelling anhydride / cement based screeds
- Cement / lime / gypsum based plasters
- Fiber-reinforced structural plasters also with the addition of additives
- Restorative plasters
- Traditional plasters
- Binders / mortars for injections
- Mortars for reinforcement
- Premixed / traditional bedding mortars
- Filling concrete with grain size <8 mm
- Cementitious adhesives
- Mortars and stuccos for smoothing
- Waterproofing

## Operation

The machine must be connected to a vacuum cleaner to limit the dispersion of dust.

Once the machine is turned on using the switch located on the electrical panel, the mixer paddles start to turn clockwise. At this point it is possible to pour the first bag of material by breaking it on the appropriate bag breaker. After adding all the necessary water to the mixture, you can proceed to pour the remaining bag of material into the drum.

The rotation of the paddles moves the material from the bottom upward, and from the centre outward.

A few seconds of waiting is enough to obtain a mixed product without lumps of fiber or concrete balls.

The product can be easily discharged by placing a container under the discharge conveyor and opening the special outlet while the machine is turned on.

Mix 80 can work continuously throughout the day. In case of accidental locking of the paddles, a self-resetting thermal protector will protect the electric motor.

For cleaning at the end of the work, simply pour water into the drum, allowing the paddles to do a first general wash. Once the machine is turned off and the grate is open, cleaning of drum and grate can be completed.

At the end, the residual water can be drained into a container located under the discharge conveyor.



**only 106 kg**  
The lightest in its category



I-DUST Dust Grate as standard  
It limits the spread of dust in the surrounding environment during loading.



A safety mechanism stops the rotation of the mixing paddles automatically when the I-DUST Dust Grate is raised. The device acts in the opening hinge and is positioned in a point protected from impact and dirt.



Equipped with 4 wheels and removable handles for easy handling for small movements but also when it is necessary to load the Mix 80 on the means of transport. It is also equipped with hooks for lifting on 4 sides.

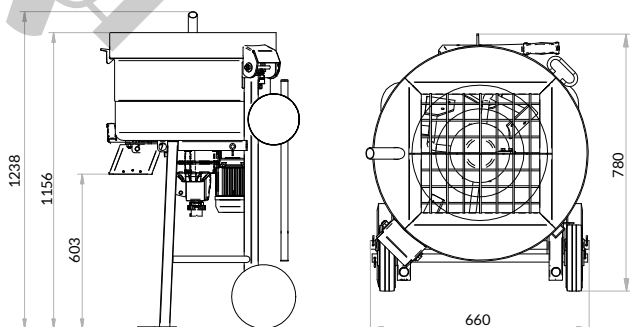
### Standard Equipment

- Single-phase gearmotor 230V / 50Hz - Oil bath gearmotor
- Electric safety grate opening
- Self-resetting motor thermal protector
- IP55 undervoltage coil switch and IP67 plug
- Grate with bag breaker blade
- Removable handles for handling
- Lifting hooks on 4 sides
- 4 Wheels for handling and loading on the means of transport
- I-DUST Dust Grate with connector tube for vacuum cleaner

### Technical data

|   |       |               |
|---|-------|---------------|
| Drum capacity                           | l     | 80            |
| Mixing performance                      | l/min | 55            |
| Drum diameter                           | mm    | 608           |
| Max. grain size                         | mm    | 8             |
| Paddle speed                            | rpm   | 44            |
| Electric motor power 230V / 50Hz        | kW    | 1             |
| Absorption                              | A     | 6.5           |
| SPL in operator's position              | dB(A) | 70            |
| Load / discharge height                 | mm    | 1156 / 603    |
| Machine weight (packaging)              | kg    | 106(120)      |
| Dimensions width / length / h           | mm    | 660/780/1238  |
| Packaging dimensions width / length / h | mm    | 730/1280/930  |
| Max. stackability*                      |       | 2 (h 1860 mm) |

(\* ) Number of stackable pieces and total height including pallet.



### Accessories

1107635



#### Rubber paddles kit complete with supports and bolts

- ➔ Recommended for mixing:
  - Cementitious adhesives
  - Mortars and stuccos for smoothing
  - Binders / mortars for injections
  - Gypsum based plasters
  - Waterproofing