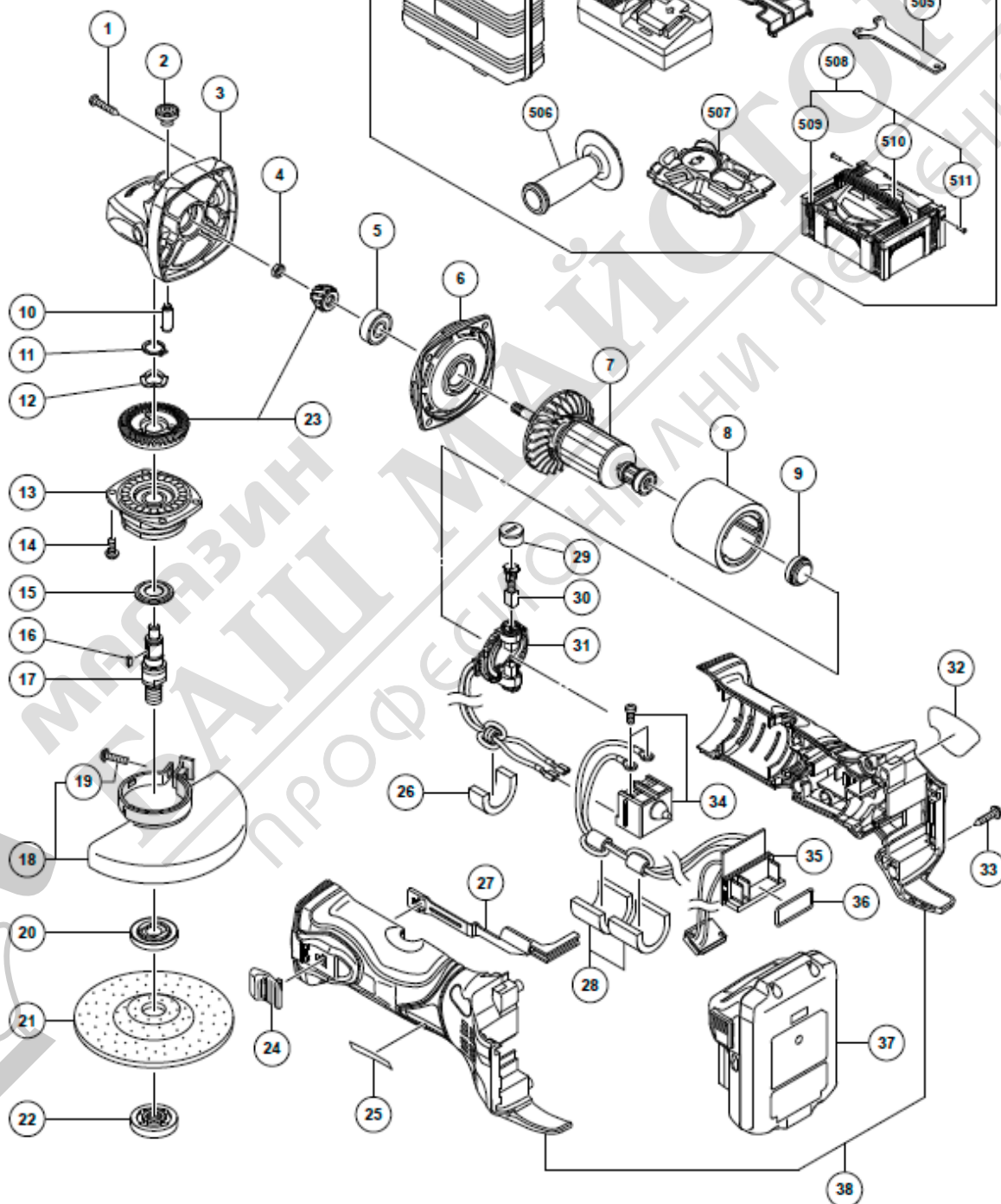
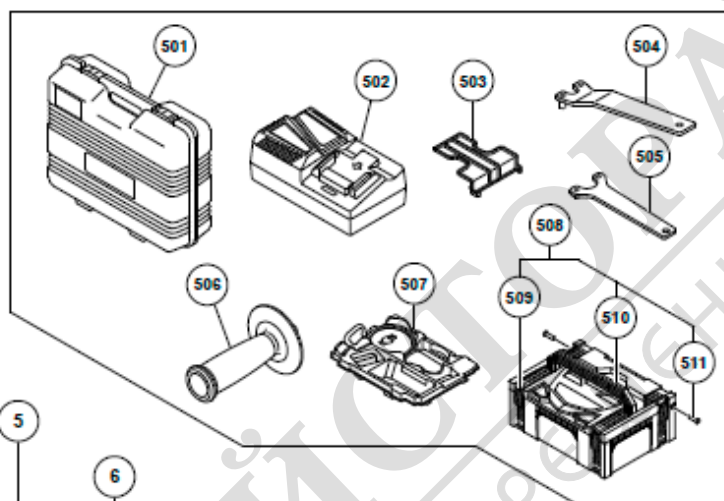


G18DSL2(H5Z) 18V Slide 125mm Angle Grinder



MODEL
G18DSL2

Item ref	Code no.	Description	Qty	Notes
1	377006	TAPPING SCREW D4X25	4	
2	301944	PUSHING BUTTON	1	
3	376707	GEAR COVER ASS'Y	1	INCLUD.2.10
4	309191	SPECIAL NUT M6	1	
5	338337	BALL BEARING 608SS	1	
6	376709	BEARING HOLDER	1	
7	361148	SHAFT ARMATURE SET	1	
8	376708	MAGNET	1	
9	328201	RUBBER BUSHING	1	
10	301943	LOCK PIN	1	
11	316487	RETAINING RING FOR D11 SHAFT	1	
12	316486	WAVE WASHER	1	
13	338849	PACKING GLAND	1	
14	328628	SEAL LOCK SCREW (W/WASHER) M4X12	4	
15	328185	WASHER (A)	1	
16	302047	WOODRUFF KEY	1	
*17	328359	SPINDLE M14	1	115MM.125MM TYPE
*18	338845	WHEEL GUARD ASS'Y	1	INCLUD.17 125MM TYPE
19	308386	MACHINE SCREW (W/SP. WASHER) M5X16(BLACK	1	
*20	376067	WHEEL WASHER	1	115MM.125MM TYPE
*21	316822	D. C. WHEELS 125MM A36Q (25 PCS.)	1	125MM TYPE
*22	339579	WHEEL NUT M14	1	
23	377005	GEAR AND PINION SET	1	
24	314428	SLIDE KNOB	1	
25		BRAND LABEL	1	
26	375921	SUPPORT (D)	1	FOR EUROPE.GBR.SAF
27	377004	SLIDE BAR	1	
28	339343	SUPPORT (D)	2	
29	328200	BRUSH CAP	2	
30	999101	CARBON BRUSH 5X6X11.5 (1 PAIR)	2	
*31	334696	BRUSH BLOCK	1	FOR EUROPE.GBR.SAF
32		NAME PLATE	1	
33	339250	TAPPING SCREW (W/FLANGE) D4X20	5	
34	373565	PUSHING BUTTON SWITCH	1	
35	376711	CONTROLLER TERMINAL SET	1	FOR EUROPE.GBR.SAF
36	306353	O-RING (S-22)	1	
*37	376029	BATTERY BSL 1850C (EUROPE.AUS.NZL)	2	INCLUD.503
38	377254	HOUSING (A).(B) SET	1	

Item ref	Code no.	Description	Qty	Notes
		STANDARD ACCESSORIES		
502		CHARGER (MODEL UC 18YFSL)	1	
503	329897	BATTERY COVER	2	
*505	938332Z	WRENCH	1	
506	994322	SIDE HANDLE	1	
507	337113	INNER TRAY	1	
508	336471	CASE ASS'Y (STACKABLE 2)	1	INCLUD.509-511
509	336472	LATCH	4	
510	336473	HANDLE	1	
511	336474	HINGE	2	
		OPTIONAL ACCESSORIES		
*603	314062	SANDING DISCS 125MM C-P16 (10 PCS.)	1	
*604	314063	SANDING DISCS 125MM C-P20 (10 PCS.)	1	
*605	314064	SANDING DISCS 125MM C-P24 (10 PCS.)	1	
*606	314065	SANDING DISCS 125MM C-P30 (10 PCS.)	1	
*607	314066	SANDING DISCS 125MM C-P36 (10 PCS.)	1	
*608	314067	SANDING DISCS 125MM C-P40 (10 PCS.)	1	
*609	314068	SANDING DISCS 125MM C-P50 (10 PCS.)	1	
*610	314069	SANDING DISCS 125MM C-P60 (10 PCS.)	1	
*611	314070	SANDING DISCS 125MM C-P80 (10 PCS.)	1	
*612	314071	SANDING DISCS 125MM C-P100 (10 PCS.)	1	
*613	314072	SANDING DISCS 125MM C-P120 (10 PCS.)	1	
621	332788	WHEEL GUARD (FOR CUTTING)	1	125MM TYPE
622	336865	SIDE HANDLE	1	

