

HIKOKI

CORDLESS ROTARY HAMMER DH36DPE

| Item No. | Code No. | Description | No. Used | Remarks |
|----------|----------|------------------------------|----------|-----------------|
| 1 | 375363 | GRIP SET | 1 | INCLUD. 2-7, 19 |
| 2 | 306345 | FRONT CAP | 1 | |
| 3 | 306340 | STOPPER RING | 1 | |
| 4 | 374436 | GRIP | 1 | |
| 5 | 374437 | BALL HOLDER | 1 | |
| 6 | 374435 | HOLDER PLATE | 1 | |
| 7 | 322812 | HOLDER SPRING | 1 | |
| 8 | | NAME PLATE | 1 | |
| 9 | 335259 | OIL SEAL | 1 | |
| 10 | 6805BB | BALL BEARING 6805 | 1 | |
| 11 | 322789 | PUSHING BUTTON | 1 | |
| 12 | 317223 | PUSHING SPRING | 1 | |
| 13 | 334011 | CHANGE LEVER | 1 | |
| 14 | 878885 | O-RING (S-18) | 1 | |
| 15 | 376755 | GEAR COVER ASS'Y | 1 | INCLUD. 17 |
| 16 | 335800 | SPRING (E) | 1 | |
| 17 | 608VVM | BALL BEARING 608VVC2PS2L | 2 | |
| 18 | 374422 | SHAFT HOLDER (B) | 1 | |
| 19 | 335300 | STEEL BALL D7.0 (10 PCS.) | 1 | |
| 20 | 374426 | CYLINDER | 1 | |
| 21 | 335265 | SECOND GEAR | 1 | |
| 22 | 374430 | SPRING (B) | 1 | |
| 23 | 301679 | WASHER (A) | 2 | |
| 24 | 948310 | RETAINING RING FOR D30 SHAFT | 1 | |
| 25 | 335262 | OIL SEAL (A) | 1 | |
| 26 | 374431 | HAMMER HOLDER (B) | 1 | |
| 27 | 374427 | HOLDER SLEEVE | 1 | |
| 28 | 374432 | SECOND HAMMER | 1 | |
| 29 | 374429 | HAMMER HOLDER (A) | 1 | |
| 30 | 322805 | DAMPER (A) | 1 | |
| 31 | 322808 | O-RING (C) | 1 | |
| 32 | 324524 | DAMPER HOLDER | 1 | |
| 33 | 322807 | STOPPER RING | 1 | |
| 34 | 374443 | STRIKER | 1 | |
| 35 | 372816 | O-RING | 1 | |
| 36 | 372817 | PISTON | 1 | |
| 37 | 335793 | PISTON PIN | 1 | |
| 38 | 335794 | PISTON WASHER | 2 | |
| 39 | 374434 | LOCK PLATE | 1 | |
| 40 | 374440 | SECOND PINION | 1 | |
| 41 | 323182 | CLUTCH SPRING | 1 | |
| 42 | 375022 | CLUTCH | 1 | |
| 43 | 331315 | WASHER | 1 | |
| 44 | 374439 | CHANGE PLATE (C) | 1 | |
| 45 | 374438 | SECOND SHAFT | 1 | |
| 46 | 335249 | RECIPROCATING BEARING | 1 | |
| 47 | 374441 | FIRST GEAR | 1 | |
| 48 | 374442 | BEARING WASHER | 1 | |
| 49 | 335245 | O-RING D72.2 | 1 | |
| 50 | 374625 | INNER COVER | 1 | |
| 51 | 374627 | WEIGHT (A) | 1 | |
| 52 | 335282 | LEAF SPRING | 1 | |
| 53 | 374628 | WEIGHT (B) | 1 | |

* ALTERNATIVE PARTS

HIKOKI

CORDLESS ROTARY HAMMER DH36DPE

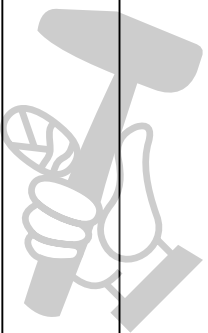
| Item No. | Code No. | Description | No. Used | Remarks |
|----------|----------|--|----------|------------------|
| 54 | 325241 | SEAL LOCK HEX. SOCKET HD. BOLT M3X8 | 2 | |
| 55 | 322816 | FELT PACKING | 1 | |
| 56 | 322818 | PACKING WASHER | 1 | |
| 57 | 876796 | O-RING (P-22) | 1 | |
| 58 | 376761 | FAN GUIDE | 1 | |
| 59 | 334008 | AIR CAP | 1 | |
| 60 | 324543 | FELT PACKING (A) | 1 | |
| 61 | 374626 | SPRING HOLDER | 1 | |
| 62 | 983162 | SEAL LOCK HEX. SOCKET HD. BOLT M4X12 | 2 | |
| 63 | 361153 | ROTOR ASS'Y (A) | 1 | INCLUD. 64-67 |
| 64 | 608DDM | BALL BEARING 608DD | 1 | |
| 65 | 982631 | WASHER (A) | 1 | |
| 66 | 377322 | DUST WASHER | 1 | |
| 67 | 371919 | BALL BEARING 606VVMC3E | 1 | |
| 68 | 376756 | HOUSING (A). (B) SET | 1 | |
| 69 | 376760 | MESH | 1 | |
| 70 | 322853 | PUSHING BUTTON | 1 | |
| 71 | 376759 | CAP | 1 | |
| 72 | 301654 | TAPPING SCREW (W/FLANGE) D5X35 | 4 | |
| 73 | 301653 | TAPPING SCREW (W/FLANGE) D4X20 (BLACK) | 9 | |
| 74 | 373914 | MV LABEL (B) | 1 | |
| 75 | 376670 | SWITCH | 1 | |
| 76 | 377107 | WIRING ASS'Y | 1 | INCLUD. 77 |
| 77 | 372228 | BATTERY TERMINAL | 1 | |
| 78 | 373041 | REAR BUMPER | 2 | |
| 79 | 373913 | MV LABEL (A) | 1 | |
| 80 | 373039 | JOINT RUBBER | 1 | |
| 81 | 377176 | BATTERY RUBBER (B) | 1 | |
| 82 | 376757 | BATTERY HOUSING (A). (B) SET | 1 | |
| | | STANDARD ACCESSORIES | | |
| 502 | 374447 | SIDE HANDLE | 1 | |
| 503 | 303709 | DEPTH GAUGE | 1 | |
| | | OPTIONAL ACCESSORIES | | |
| 601 | 303332 | HAMMER DRILL CHUCK SET 13MM | 1 | INCLUD. 602, 603 |
| 602 | 303334 | CHUCK HANDLE | 1 | |
| 603 | 303335 | RUBBER CAP | 1 | |
| 604 | 321825 | DRILL CHUCK AND ADAPTER SET | 1 | INCLUD. 605, 606 |
| 605 | 303623 | CHUCK ADAPTER (G) (SDS PLUS) | 1 | |
| 606 | 321814 | DRILL CHUCK 13VLRB-D | 1 | INCLUD. 607, 608 |
| 607 | 331966 | FLAT HD. SCREW (LEFT HAND) M6X20 | 1 | |
| 608 | 987576 | CHUCK WRENCH FOR 13VLB-D, 13VLR-D | 1 | |
| 609 | 321813 | DRILL CHUCK 13VLD-D | 1 | INCLUD. 602 |
| 610 | 971787 | DUST CUP | 1 | |
| 611 | 372200 | HOOK | 1 | |
| 612 | 373378 | TRUSS HD. SCREW M4 (BLACK) | 1 | |
| 613 | 931844 | STOPPER | 1 | |
| 614 | 971511Z | + DRIVER BIT (A) NO.2 25L | 1 | |
| 615 | 971512Z | + DRIVER BIT (A) NO.3 25L | 1 | |
| 617 | 306885 | DUST COLLECTOR (B) ASS'Y | 1 | INCLUD. 618 |
| 618 | 306910 | SOCKET ADAPTER (B) | 1 | |
| 621 | 335782 | GREASE FOR ROTARY HAMMER (60G) | 1 | |
| 622 | 335781 | GREASE FOR ROTARY HAMMER (500G) | 1 | |
| 623 | 376971 | DUST EXTRACTION UNIT (IN CARTON BOX) | 1 | |

* ALTERNATIVE PARTS

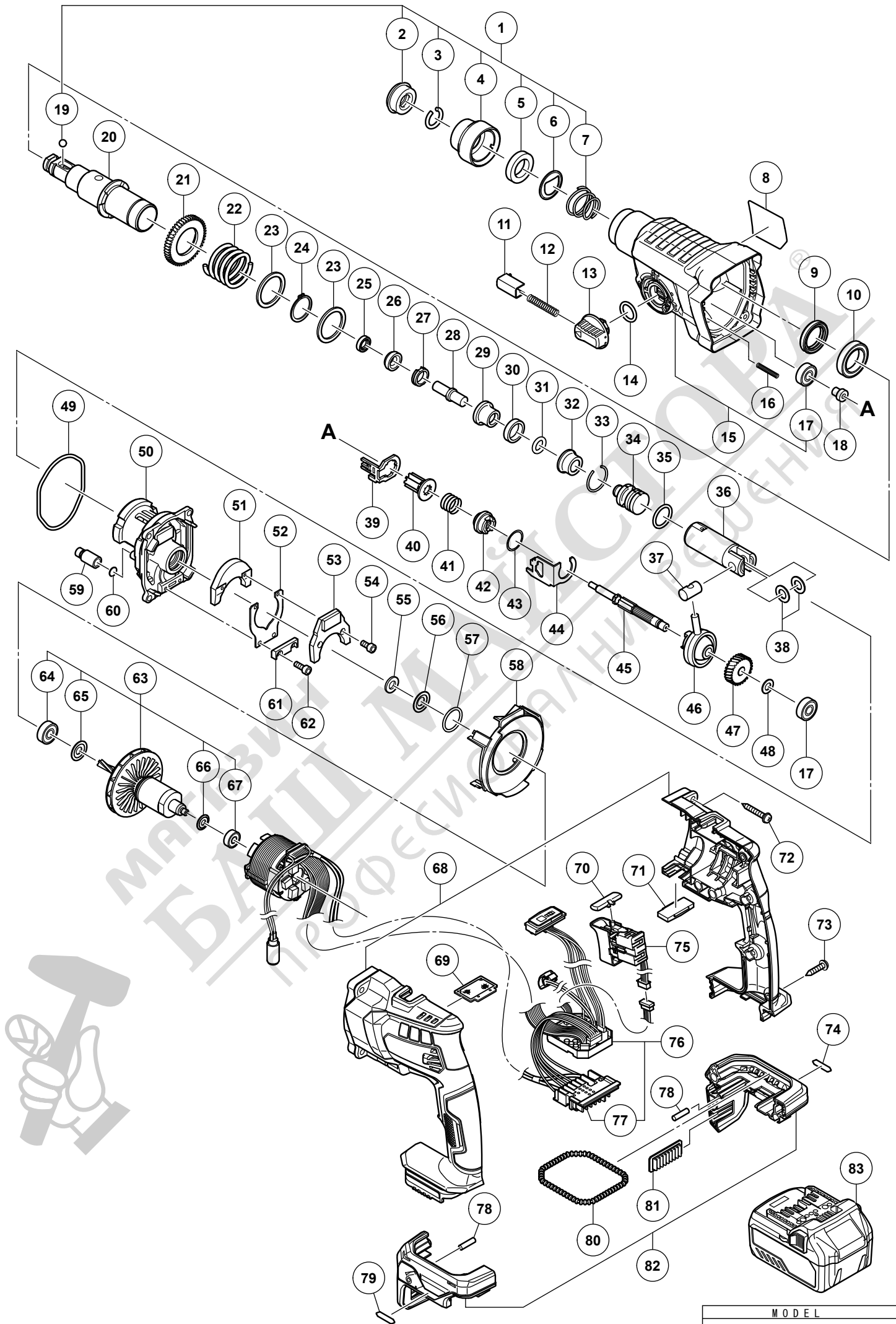
HIKOKI

CORDLESS ROTARY HAMMER DH36DPE

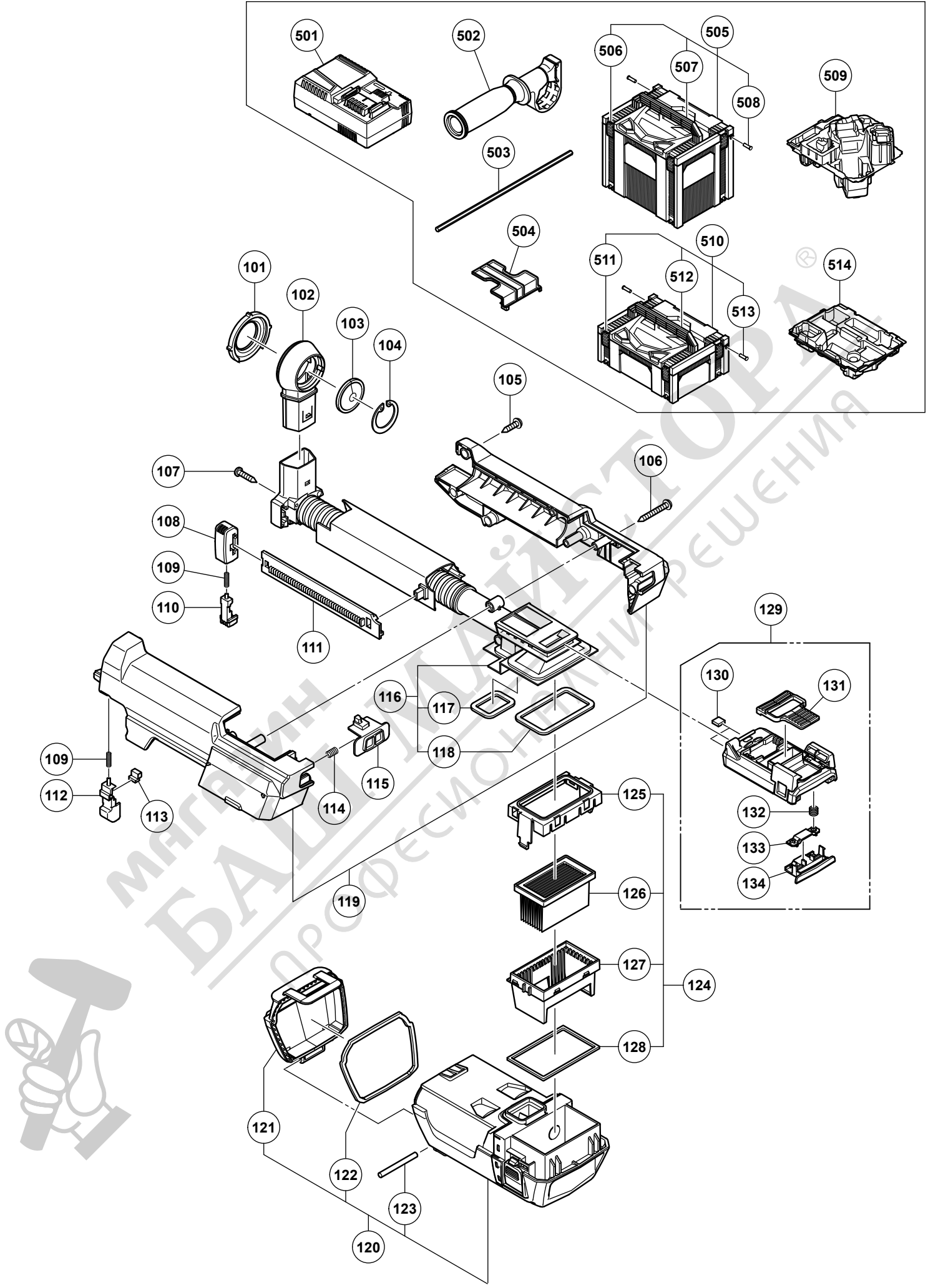
| Item No. | Code No. | Description | No. Used | Remarks |
|----------|----------|--|----------|---------|
| 624 | 376972 | DUST EXTRACTION UNIT (IN STACKABLE CASE) | 1 | |



МАГАЗИН МАЙСТОРА®
БАШ МАЙСТОРА®
ПРОФЕСИОНАЛНИ РЕШЕНИЯ



MODEL
DH36DPE(1/2)



MODEL
DH36DPE(2/2)