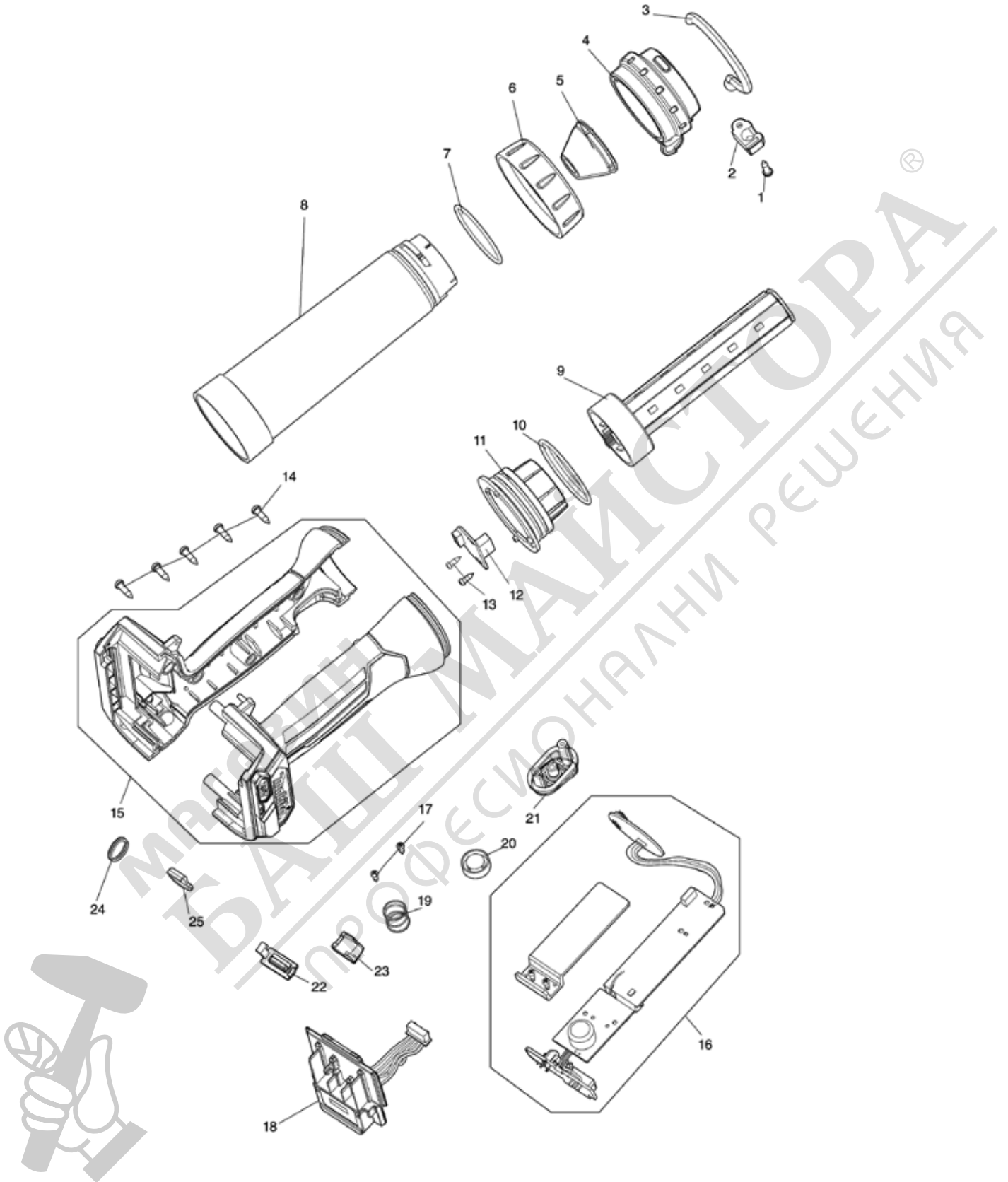


Model No.ML002G CORDLESS WORKLIGHT



## Model No.ML002G CORDLESS WORKLIGHT

Item	Parts No.	Description	I/C	QTY	New/Old	Opt. 1	Opt. 2	NOTE
001	GM00001024	SCREW 3X12 B0130120202		1				
002	GM00001472	HOOK BALL COVER C3020807002		1				
003	GM00001471	HOOK ASSY ROS88070000		1				
004	GM00001470	BEZEL ASSY ROS88070001		1				
005	GM00001469	REFLECTOR ROS88070008		1				
006	GM00001468	LOCK RING C0110184004		1				
007	GM00001467	O-RING C9820807003		1				
008	GM00001466	DIFFUSING CAP ROS88070007		1				
009	GM00002278	LED LAMP TUBE ASSY		1				
010	GM00001464	O-RING (CAP) C9820807004		1				
011	GM00001463	LAMP HOLDER C1020807004		1				
012	GM00001462	FEMALE SOCKET PCBA ROS88070003		1				
013	GM00001395	SCREW 2.6X8PB B0126081102		2				
014	GM00001024	SCREW 3X12 B0130120202		5				
015	GM00002274	HOUSING ASSY		1				
016	GM00002276	MAIN PCBA ASSY		1				
017	GM00001395	SCREW 2.6X8PB B0126081102		2				
018	GM00002275	BATTERY HOLDER		1				
019	GM00001689	METAL SPRING, B1312104021		1				
020	GM00001690	PLASTIC SWITCH POST C102010400		1				
021	GM00001461	SWITCH HOLDER ASSY ROS88070004		1				
022	GM00002277	USB RUBBER COVER		1				
023	GM00002279	USB SWITCH BUTTON		1				
024	SM00000190	RING B3103184009		1				
025	GM00001459	METAL STRAP HOOK B2808807021		1				

Please order the parts with part number.

Print Date 7/29/2021

