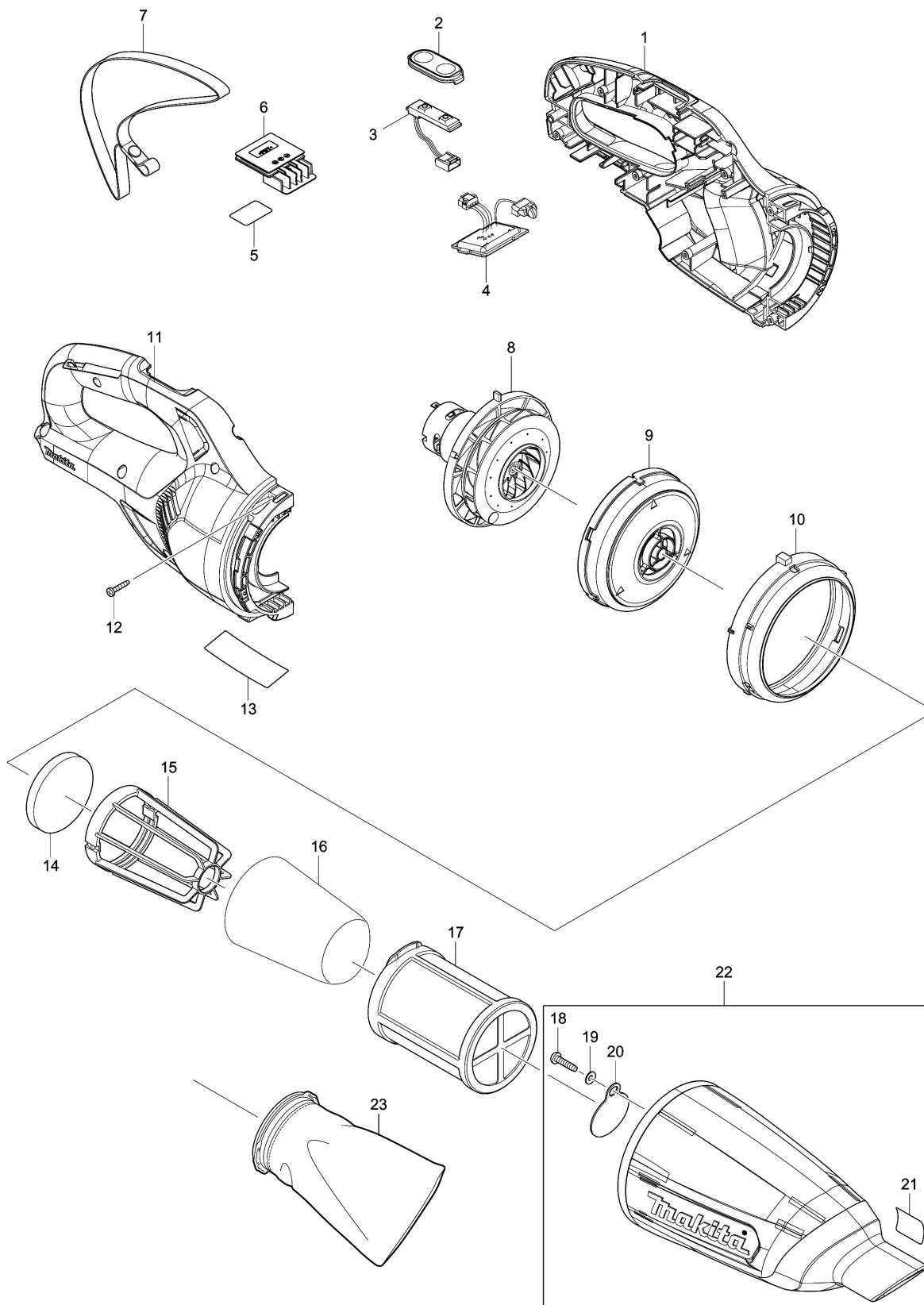


Model No.CL108FD CORDLESS CLEANER



## Model No.CL108FD CORDLESS CLEANER

Item	Parts No.	Description	I/C	QTY	New/Old	Opt. 1	Opt. 2	NOTE
001C	183K49-2	HOUSING SET		1				
001D	183K48-4	HOUSING SET		1				
C10	424913-5	SPONGE SHEET 35-70		2				
D10		INC. 11						
002	144096-2	SWITCH PLATE COMPLETE		1				
003	631973-2	SWITCH UNIT		1		100		
004	632N07-8	CONTROLLER UNIT		1				
C10	620601-4	LED CIRCUIT		1				
005	854T81-4	CL108FD SERIAL NO. LABEL		1				
006	644813-5	TERMINAL		1				
008	126846-7	MOTOR ASSEMBLY		1				
009	458834-9	FAN COVER		1				
010	422377-7	RUBBER RING		1				
011C	183K49-2	HOUSING SET		1				
011D	183K48-4	HOUSING SET		1				
C10	424913-5	SPONGE SHEET 35-70		2				
D10		INC .1						
012	266429-2	TAPPING SCREW 3X16		7		100		
013	854T75-9	CL108FD NAME PLATE		1				
014	422268-2	SPONGE SHEET 57		1				
015	458467-0	STAY		1				
016	443060-3	FILTER		1		100		
017	451208-3	PRE-FILTER		1		100		
018	265995-6	TAPPING SCREW 4X18		1		100		
019	941051-3	FLAT WASHER 4		1		100		
020	424208-6	VALVE		1		100		
021	809293-4	INDICATION LABEL		1				
022C	140G25-5	CAPSULE COMPLETE		1				
022D	140G24-7	CAPSULE COMPLETE		1				
D10		INC. 18-21						
A01C	123488-8	FLOOR T-NOZZLE 28 BLU		1				
A01D	123486-2	FLOOR T-NOZZLE 28 WHI		1				
C10	451410-8	ROLLER		4				
C20	268208-4	PIN 3		4		100		
C30	424096-1	WIPER		1				
A02C	451243-1	SASH NOZZLE 28 BLU		1				
A02D	451240-7	SASH NOZZLE 28 WHI		1				
A03C	451244-9	PIPE		1				
A03D	451241-5	PIPE		1				
A04C	451245-7	SASH NOZZLE HOLDER		1				
A04D	451242-3	SASH NOZZLE HOLDER		1				

Please order the parts with part number.

Print Date 2/4/2019