

LEGGERA

PROFESSIONAL MANUAL TILE CUTTER

STRAIGHT CUTS

Square ruler with direct reading for **straight cuts**.

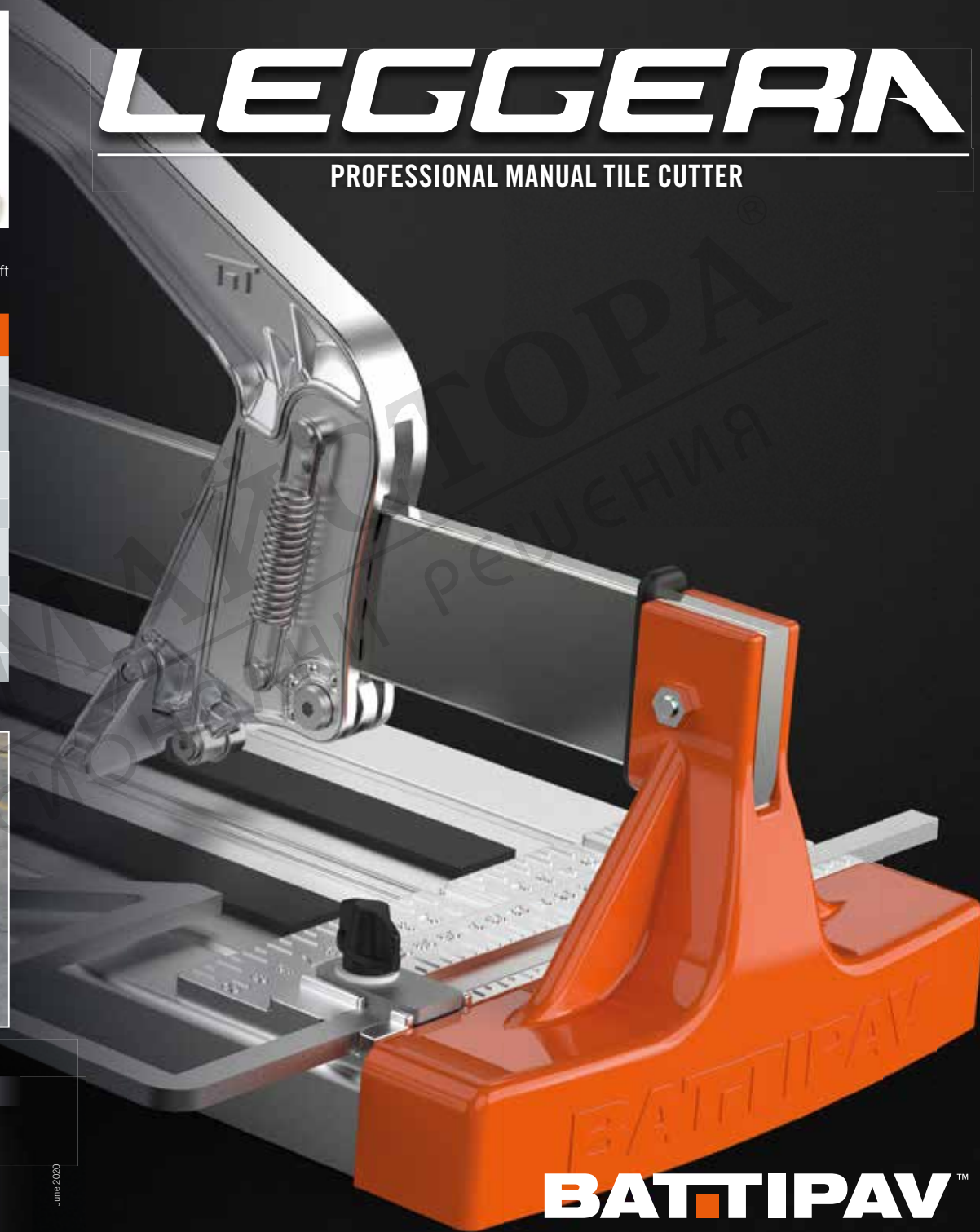
PACKAGING

Multilingual flexographed packaging.

TRANSPORT

Very easy to carry, also with the soft case (optional)

| | Art. 61300E | Art. 6900E | Art. 6750E | Art. 6601E | Art. 6401E |
|---------------------------------|---------------------|---------------------|---------------------|---------------------|--------------------|
| CUTTING LENGTH | 1370 mm | 920 mm | 780 mm | 670 mm | 490 mm |
| MAX SIZE TILE FOR DIAGONAL CUTS | 965x965 mm | 650x650 mm | 550x550 mm | 470x470 mm | 345x345 mm |
| CUTTING THICKNESS | 5 - 15 mm | | | | |
| CUTTING WHEEL | Ø 15 x 6 x 1,5 mm | | | | |
| PACKING DIMENSION | 1704x295 x h 280 mm | 1260x295 x h 280 mm | 1114x295 x h 280 mm | 1004x295 x h 280 mm | 830x295 x h 280 mm |
| PIECES ON PALLET | 14 | 21 | | 28 | |
| PALLET DIMENSION | 72x175x208 cm | 90x120x206 cm | 90x127x206 cm | 100x120x208 cm | 82x120x208 cm |
| NET WEIGHT | 12,6 Kg | 9,6 Kg | 8,7 Kg | 6,6 Kg | 5,6 Kg |



Art. K25



AUTHORIZED DEALER:



Z. i. 2 - Via Cavatorra, 6/1 | 48033 Cotignola (Ra) | ITALY
www.battipav.com | sales@battipav.com

June 2020

BATTIPAV™

MACCHINE PER EDILIZIA | MACHINES FOR BUILDING



QUICK START SYSTEM

The carriage is provided with springs that makes the handle always ready to cut.

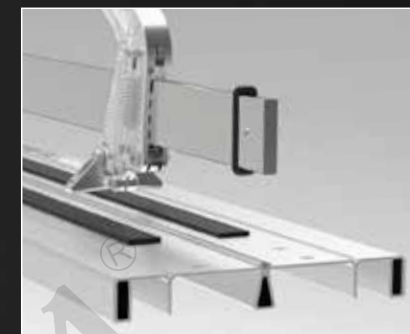


ACCURACY AND LIGHTNESS



CARRIAGE

The carriage in aluminium is equipped with two ball-bearings for a perfect sliding and top precision.



STRUCTURE

Strong body made in aluminium draw-plate to provide rigidity and lightness at the same time.

PUSHING CUTTING SYSTEM



ADJUSTABLE SUPPORT FOR MULTI-CUTS

**100%
ALUMINIUM**

DIAGONAL CUTS

Square ruler with direct reading for diagonal cuts.

