



Unior d.d.
Kovaška cesta 10
3214 Zreče, Slovenia
T: +386 3 757 81 00
sales@unior.com
www.uniortools.com

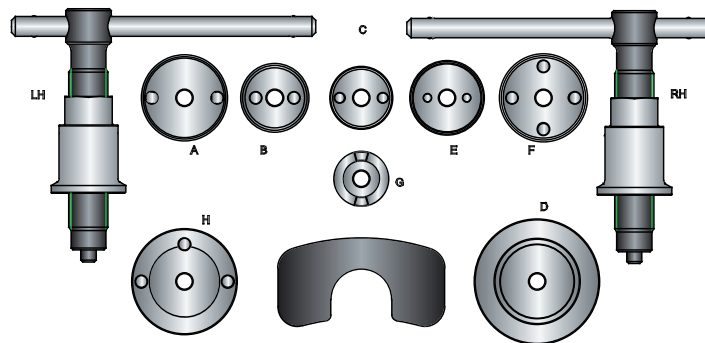
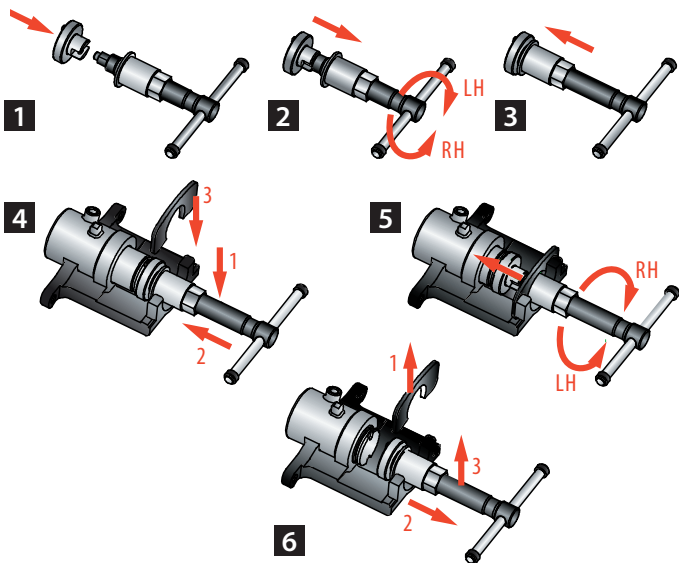
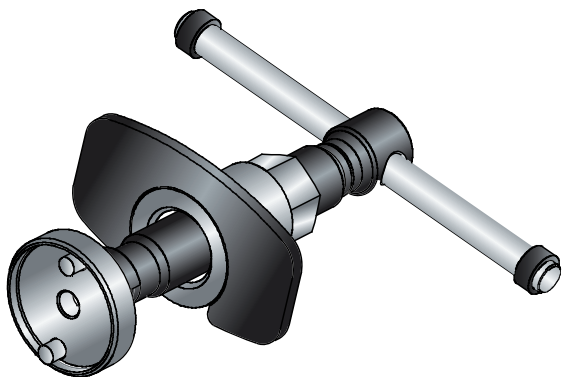


2033/2

EN Disc spreader

SLO Orodje za stiskanje zavornih batkov

 **UNIOR**[®]
uniortools.com



A	ALFA ROMEO - 155, 164 TD
	AUDI - 80, 90, A3, A4, A6, A8
	CITROEN - ZX
	FIAT - Tipo, Croma
	HONDA - CRX, Accord, Prelude
	LANCIA - Dedra, Delta, Thema, Kappa
	NISSAN - 280 ZX, 300 ZX, Bluebird, Maxima
	PEUGEOT - 309, 405
	RENAULT - Clio
	ROVER - 216 GTI, 820 Si, 825 SD
	SAAB - 9000 CS
	SEAT - Toledo, Ibiza
	VOLKSWAGEN - Passat, Golf II, Corrado
	VOLVO - V40
B	FORD - Telstar, Laser
	MAZDA - 323, 929, RX7, 626 GTI, 292
	TOYOTA - Celica, Corolla, MR2
C	ALFA ROMEO - 164
	FIAT - Uno, Barchetta
	FORD - Escort, Mondeo
	HONDA - Civic, Accord Concerto
	ROVER - 220C
SAAB - 99L, 900	

D	AUDI - A3, A4, A6, A8
	BMW
	FORD - Escort Orion, Focus
	JAGUAR
	TOYOTA
E	MERCEDEZ BENZ
	MITSUBISHI
	AUDI - 100 TDI
	BMW - 416
	LANCIA - Delta
F	PROTON - 416
	ROVER - 623 Si
	VOLKSWAGEN - Passat VR6, GOLF III, Vento
	FORD - Focus, Galaxy
G	ALFA ROMEO - 146
	AUDI - A3
H	VOLKSWAGEN - Golf IV
	CITROEN - XM, Xantia, Activa
	HONDA - Prelude