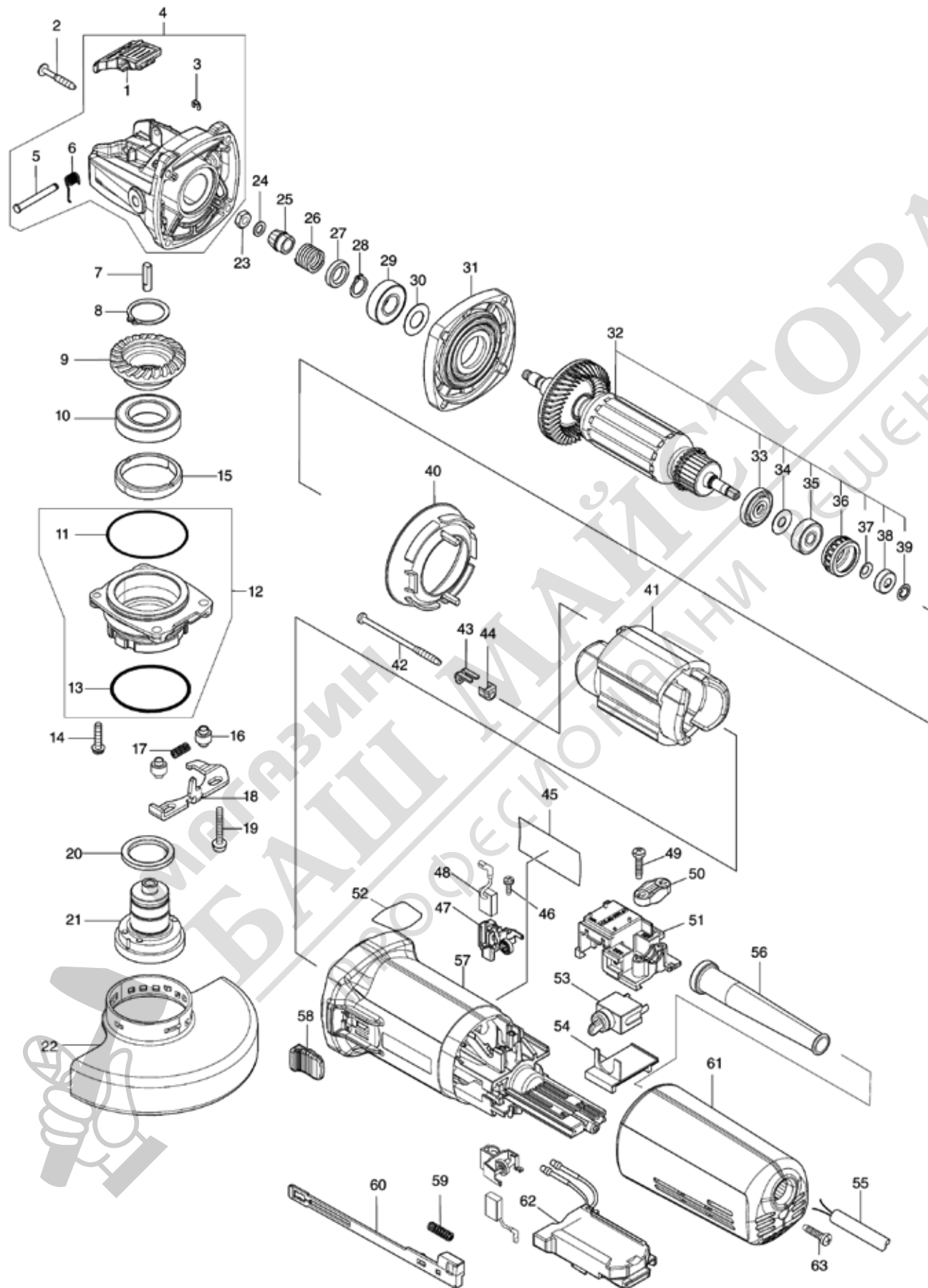


Model No.GA5080R 125MM ANGLE GRINDER



Model No.GA5080R 125MM ANGLE GRINDER

Item	Parts No.	Description	I/C	Qty	New/Old	Opt. 1	Opt. 2	Note
001	459967-3	LEVER		1				
002	266257-5	TAPPING SCREW 4X28		4				
003	961017-7	STOP RING E-3		1				
004	136441-5	GEAR HOUSING ASSEMBLY		1				
D10		INC. 1,3,5,6						
005	256935-5	HEADED PIN 4		1				
006	232576-1	TORSION SPRING 5		1				
007	327460-4	SHAFT		1				
008	961104-2	RETAINING RING S-24		1				
009	227897-4	SPIRAL BEVEL GEAR 38		1				
010	210208-0	BALL BEARING 6905DDW		1				
011	213A03-3	O-RING 50		1				
012	136446-5	BEARING BOX ASSEMBLY		1				
D10		INC. 11,13						
013	213783-5	O-RING 48		1				
014	911138-5	P.H.SCREW M4X20 WITH WR		2				
015	285045-1	BEARING RETAINER 36-43		1				
016	327322-6	SLEEVE 4		2				
017	232490-1	COMPRESSION SPRING 4		1				
018	347615-5	LEVER		1				
019	911159-7	PAN HEAD SCREW M4X30		2				
020	327459-9	RING 25		1				
021	127428-8	SPINDLE ASSEMBLY		1				
022	347618-9	WHEEL COVER 125		1				
023	931303-0	HEX. NUT M6		1				
024	253077-6	FLAT WASHER 6		1				
025	227896-6	SPIRAL BEVEL GEAR 11		1				
026	233901-9	LOCK SPRING 12		1				
027	257010-0	RING 12		1				
028	961052-5	RETAINING RING S-12		1				
029	211142-7	BALL BEARING 6001LLB		1				
030	253084-9	FLAT WASHER 12		1				
031	317359-1	GEAR HOUSING COVER		1				
032	511A19-5	ARMATURE ASSEMBLY 220-240V		1				
C10	240033-5	FAN 57		1				
D10		INC. 33-39						
033	681656-4	INSULATION WASHER		1				
034	253823-7	FLAT WASHER 7		1				
035	210027-4	BALL BEARING 627DDW		1				
036	421738-8	LABYRINTH RUBBER RING 22		1				
037	267756-0	WAVE WASHER 6		1				
038	688117-5	MAGNET SLEEVE		1				

Please order the parts with part number.

Print Date 23/7/2021

Model No.GA5080R 125MM ANGLE GRINDER

Item	Parts No.	Description	I/C	Qty	New/Old	Opt. 1	Opt. 2	Note
039	259039-2	SELF LOCK 6		1				
040	413076-2	BAFFLE PLATE		1				
041	626503-2	FIELD 220-240V		1				
042	266258-3	TAPPING SCREW 4X70		2				
043	344871-8	RETAINER		2				
044	417237-6	INSULATION COVER		2				
045	811K73-2	GA5080R NAME PLATE		1				®
046	266256-7	TAPPING SCREW PT3X10		4				
047	643516-8	BRUSH HOLDER		2				
048	191978-9	A.C. CARBON BRUSH CB-318		1				
049	265995-6	TAPPING SCREW 4X18		2				
050	687124-5	STRAIN RELIEF		1				
051	638635-3	SWITCH BLOCK		1				
052	813900-3	SJS MARK LABEL		1				
053	651418-4	SWITCH ST115A-40		1				
054	687113-0	COVER		1				
055	665865-3	POWER SUPPLY CORD 1.0-2-2.5		1				
056	682566-8	CORD GUARD 10		1				
057	453276-2	MOTOR HOUSING		1				
058	417813-6	SWITCH KNOB		1				
059	233071-4	COMPRESSION SPRING 4		1				
060	417186-7	SWITCH LEVER		1				
061	417185-9	REAR COVER		1				
062	631841-9	CONTROLLER		1				
063	265995-6	TAPPING SCREW 4X18		1				
A01	153489-2	GRIP 36 COMPLETE		1				
A02	E-00402	GRINDING WHEEL INOX 125 X-LOCK		1				
A03	193903-6	DUST COVER ATTACHMENT SET		1				
C10	418420-8	DUST COVER ATTACHMENT C		1				
C20	418421-6	DUST COVER ATTACHMENT A		1				
C30	418422-4	DUST COVER ATTACHMENT B		1				

Please order the parts with part number.

Print Date 23/7/2021

