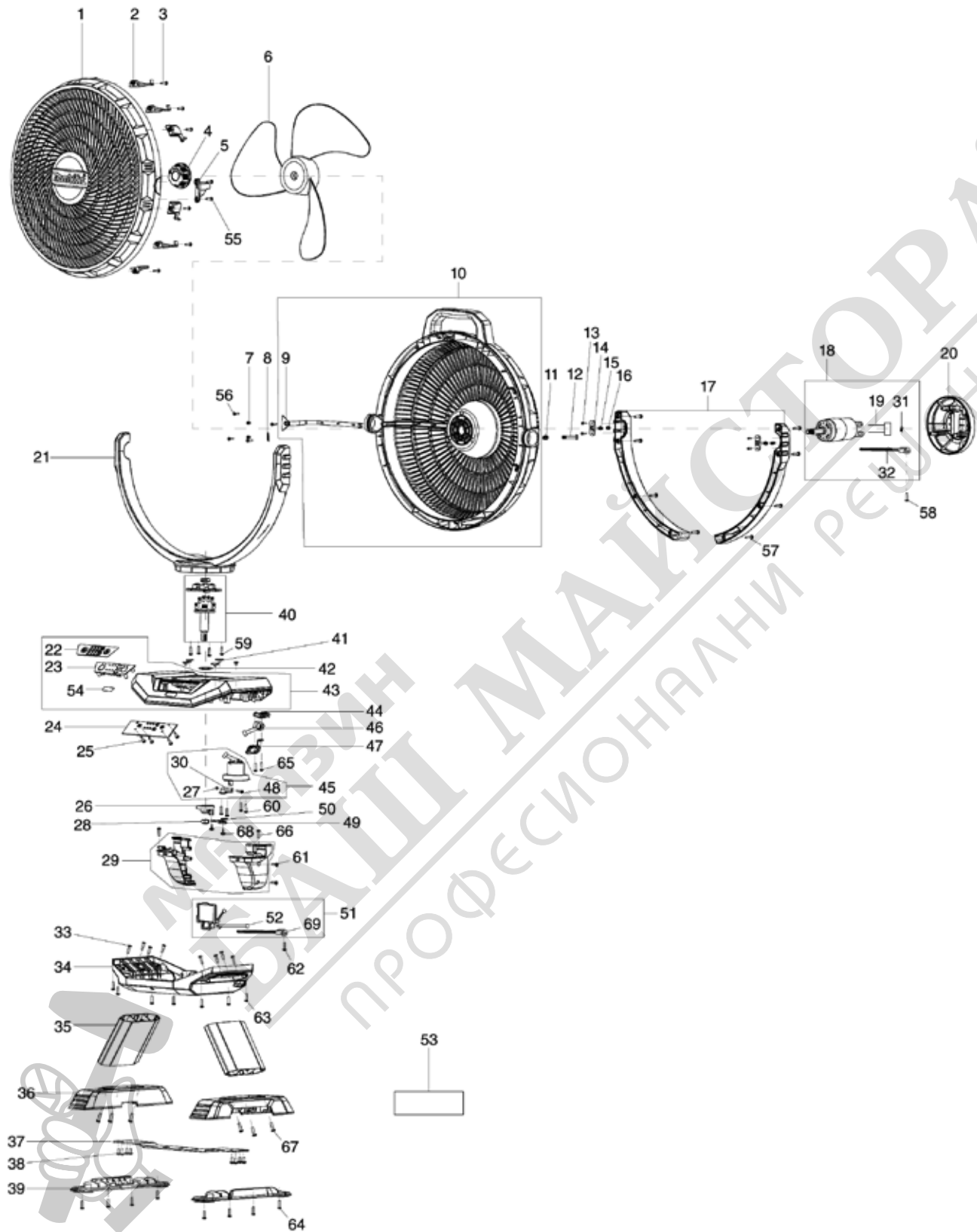


Model No.CF002G CORDLESS FAN



Model No.CF002G CORDLESS FAN

Item	Parts No.	Description	I/C	Qty	New/Old	Opt. 1	Opt. 2	Note
001	TE00000573	FRONT COVER		1				
002	TE00000376	SHELL HOOK(BLUE)		6				
003	TE00000028	TAPPING SCREW 3X14		6				
004	TE00000523	BLADE LOCK		1				
005	TE00000362	RELEASE BUTTON		1				
006	TE00000524	FAN BLADE		1				
007	TE00000525	P.H. SCREW M3X4		2				
008	TE00000558	CIRCLIP		1				
009	TE00000530	WIRE COVER		1				
010	TE00000559	BACK COVER		1				
D10		INC. 9						
011	TE00000378	SPRING		1				
012	TE00000364	LOCKED SCREW FOR FRONT HOUSING		1				
013	TE00000203	SELF-TAPPING SCREW 2.5X8		4				
014	TE00000189	STOPPER SUPPORT		2				
015	TE00000190	STOPPER		2				
016	TE00000197	SPRING1		2				
017	TE00000527	BACK COVER OF THE SUPPORT LR		1				
018	TE00000528	MOTOR ASSY		1				
D10		INC. 19,31,32						
019	TE00000529	MOTOR CONNECTION WIRE		1				
020	TE00000531	MOTOR REAR COVER		1				
021	TE00000532	STAND		1				
022	TE00000560	SWITCH LABEL		1				
023	TE00000534	SWITCH PANEL		1				
024	TE00000574	PCB		1				
025	TE00000388	SCREW 3X10		4				
026	TE00000274	SHAKE HEAD-POM 1		1				
027	TE00000281	NUT M3		1				
028	TE00000450	NUT M8		1				
029	TE00000575	BATTERY HOUSING		1				
030	TE00000282	SHAKE HEAD-POM 2		1				
031	TE00000537	WIRE SHEATH RUBBER		1				
032	TE00000407	CABLE TIE		1				
033	TE00000538	SCREW M4X8		8				
034	TE00000539	LOWER COVER		1				
035	TE00000576	SUPPORT FOOT		2				
036	TE00000541	FOOT		2				
037	TE00000542	FASTEN IRON PART OF TRIPOD		1				
038	TE00000543	CROSS BELT PAD SCREW M3X10		8				

Please order the parts with part number.

Print Date 10/5/2021

Model No.CF002G CORDLESS FAN

Item	Parts No.	Description	I/C	Qty	New/Old	Opt. 1	Opt. 2	Note
039	TE00000544	FOOT RUBBER HOUSING		2				
040	TE00000545	PRINCIPAL AXIS		1				
041	TE00000474	POM PLATE		5				
042	TE00000546	FLAT WASHER		1				
043	TE00000577	UPPER COVER		1				
D10		INC. 22,23,54						
044	TE00000548	CHARGING SOCKET PLUG		1				
045	TE00000561	SUB MOTOR		1				
D10		INC. 27,30,48						
046	TE00000549	DC CHARGE BASE		1				
047	TE00000550	ADAPTOR PLATE		1				
048	TE00000102	PHILLIPS HEAD SCREW M3X14		1				
049	TE00000551	SHAKE HEAD-CONNECTION IRON		1				
050	TE00000552	WASHER		1				
051	TE00000553	TERMINAL ASSY		1				
D10		INC. 52,69						
052	TE00000555	BATTERY SOCKET CONNECTION WIRE		1				
053	TE00000586	RATING LABEL		1				
054	TE00000580	XGT LABEL		1				
055	TE00000028	TAPPING SCREW 3X14		2				
056	TE00000028	TAPPING SCREW 3X14		4				
057	TE00000028	TAPPING SCREW 3X14		8				
058	TE00000028	TAPPING SCREW 3X14		1				
059	TE00000028	TAPPING SCREW 3X14		4				
060	TE00000028	TAPPING SCREW 3X14		4				
061	TE00000028	TAPPING SCREW 3X14		2				
062	TE00000028	TAPPING SCREW 3X14		1				
063	TE00000028	TAPPING SCREW 3X14		7				
064	TE00000028	TAPPING SCREW 3X14		8				
065	TE00000388	SCREW 3X10		2				
066	TE00000388	SCREW 3X10		2				
067	TE00000538	SCREW M4X8		6				
068	TE00000543	CROSS BELT PAD SCREW M3X10		2				
069	TE00000407	CABLE TIE		1				
A01	TE00000442	AC ADAPTER		1				

Please order the parts with part number.

Print Date 10/5/2021

