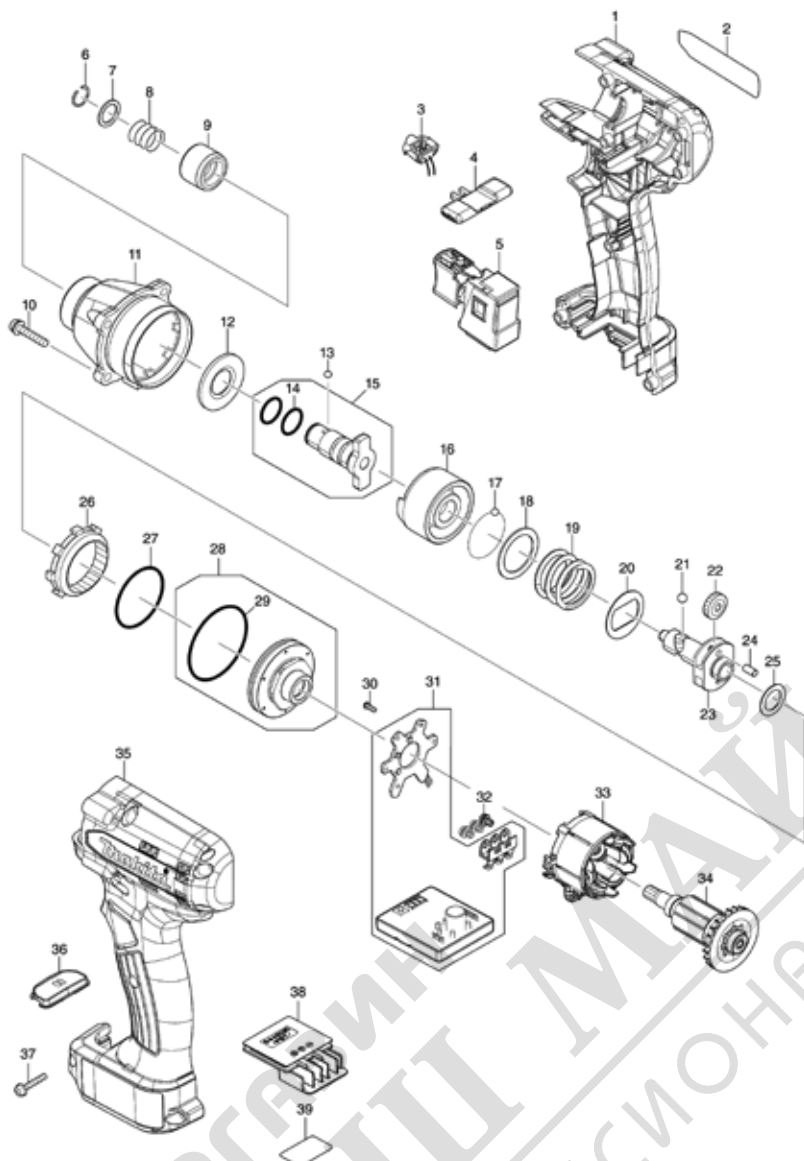


Model No.TD112D CORDLESS IMPACT DRIVER



МАГАЗИН МАЙСТОРА®  
БАШ МАШ  
ПРОФЕСИОНАЛНИ РЕШЕНИЯ



## Model No.TD112D CORDLESS IMPACT DRIVER

| Артикул | Номер на частта | Описание                | Смяна | Количество | New/Old | Допълнително<br>1 | Допълнително<br>2 | Забележка |
|---------|-----------------|-------------------------|-------|------------|---------|-------------------|-------------------|-----------|
| 001     | 183T35-7        | HOUSING SET             |       | 1          |         |                   |                   |           |
| C10     | 931002-4        | HEX. NUT M3             |       | 7          |         |                   |                   |           |
| D10     |                 | INC. 35                 |       |            |         |                   |                   |           |
| 002     | 811U28-7        | TD112D NAME PLATE       |       | 1          |         |                   |                   |           |
| 003     | 620999-9        | LED CIRCUIT             |       | 1          |         |                   |                   |           |
| 004     | 455053-8        | F/R CHANGE LEVER        |       | 1          |         |                   |                   |           |
| 005     | 140L08-5        | SWITCH COMPLETE         |       | 1          |         |                   |                   |           |
| C10     | 422465-0        | SWITCH COVER            |       | 1          |         |                   |                   |           |
| 006     | 231951-8        | RING SPRING 11          |       | 1          |         |                   |                   |           |
| 007     | 267085-1        | FLAT WASHER 12          |       | 1          |         |                   |                   |           |
| 008     | 233005-7        | COMPRESSION SPRING 13   |       | 1          |         |                   |                   |           |
| 009     | 162257-2        | SLEEVE                  |       | 1          |         |                   |                   |           |
| 010     | 265145-3        | + PAN HEAD SCREW M4X22  |       | 4          |         |                   |                   |           |
| 011     | 141C02-6        | HAMMER CASE COMPLETE    |       | 1          |         |                   |                   |           |
| 012     | 261170-2        | NYLON WASHER 14         |       | 1          |         |                   |                   |           |
| 013     | 216001-0        | STEEL BALL 3.5          |       | 2          |         |                   |                   |           |
| 014     | 213118-0        | O RING 12               |       | 2          |         |                   |                   |           |
| 015     | 136500-5        | ANVIL M ASSY            |       | 1          |         |                   |                   |           |
| D10     |                 | INC. 14                 |       |            |         |                   |                   |           |
| 016     | 327821-8        | HAMMER                  |       | 1          |         |                   |                   |           |
| 017     | 216019-1        | STEEL BALL 3            |       | 25         |         |                   |                   |           |
| 018     | 267352-4        | FLAT WASHER 22          |       | 1          |         |                   |                   |           |
| 019     | 232701-4        | COMPRESSION SPRING 21   |       | 1          |         |                   |                   |           |
| 020     | 267813-4        | WASHER 21               |       | 1          |         |                   |                   |           |
| 021     | 216002-8        | STEEL BALL 4.8          |       | 2          |         |                   |                   |           |
| 022     | 221437-0        | SPUR GEAR 17            |       | 2          |         |                   |                   |           |
| 023     | 327818-7        | SPINDLE                 |       | 1          |         |                   |                   |           |
| 024     | 268217-3        | PIN 3.5                 |       | 2          |         |                   |                   |           |
| 025     | 253052-2        | FLAT WASHER 12          |       | 1          |         |                   |                   |           |
| 026     | 227316-0        | INTERNAL GEAR 43        |       | 1          |         |                   |                   |           |
| 027     | 213479-8        | O RING 33               |       | 1          |         |                   |                   |           |
| 028     | 136499-4        | BEARING BOX ASS'Y       |       | 1          |         |                   |                   |           |
| D10     |                 | INC. 29                 |       |            |         |                   |                   |           |
| 029     | 213533-8        | O-RING 39               |       | 1          |         |                   |                   |           |
| 030     | 266490-9        | TAPPING SCREW PT 2X6    |       | 3          |         |                   |                   |           |
| 031     | 620F09-8        | CONTROLLER              |       | 1          |         |                   |                   |           |
| 032     | 652069-6        | FLAT HEAD SCREW M3X6    |       | 3          |         |                   |                   |           |
| 033     | 629A80-9        | STATOR                  |       | 1          |         |                   |                   |           |
| 034     | 619415-6        | ROTOR                   |       | 1          |         |                   |                   |           |
| 035     | 183T35-7        | HOUSING SET             |       | 1          |         |                   |                   |           |
| C10     | 931002-4        | HEX. NUT M3             |       | 7          |         |                   |                   |           |
| D10     |                 | INC. 1                  |       |            |         |                   |                   |           |
| 036     | 141C03-4        | SWITCH PLATE COMPLETE   |       | 1          |         |                   |                   |           |
| C10     | 8037R1-3        | SWITCH LABEL            |       | 1          |         |                   |                   |           |
| 037     | 265095-2        | PAN HEAD SCREW M3X20    |       | 7          |         |                   |                   |           |
| 038     | 644813-5        | TERMINAL                |       | 1          |         |                   |                   |           |
| 039     | 811U35-0        | TD112D SERIAL NO. LABEL |       | 1          |         |                   |                   |           |

Please order the parts with part number.

Print Date 14/2/2022