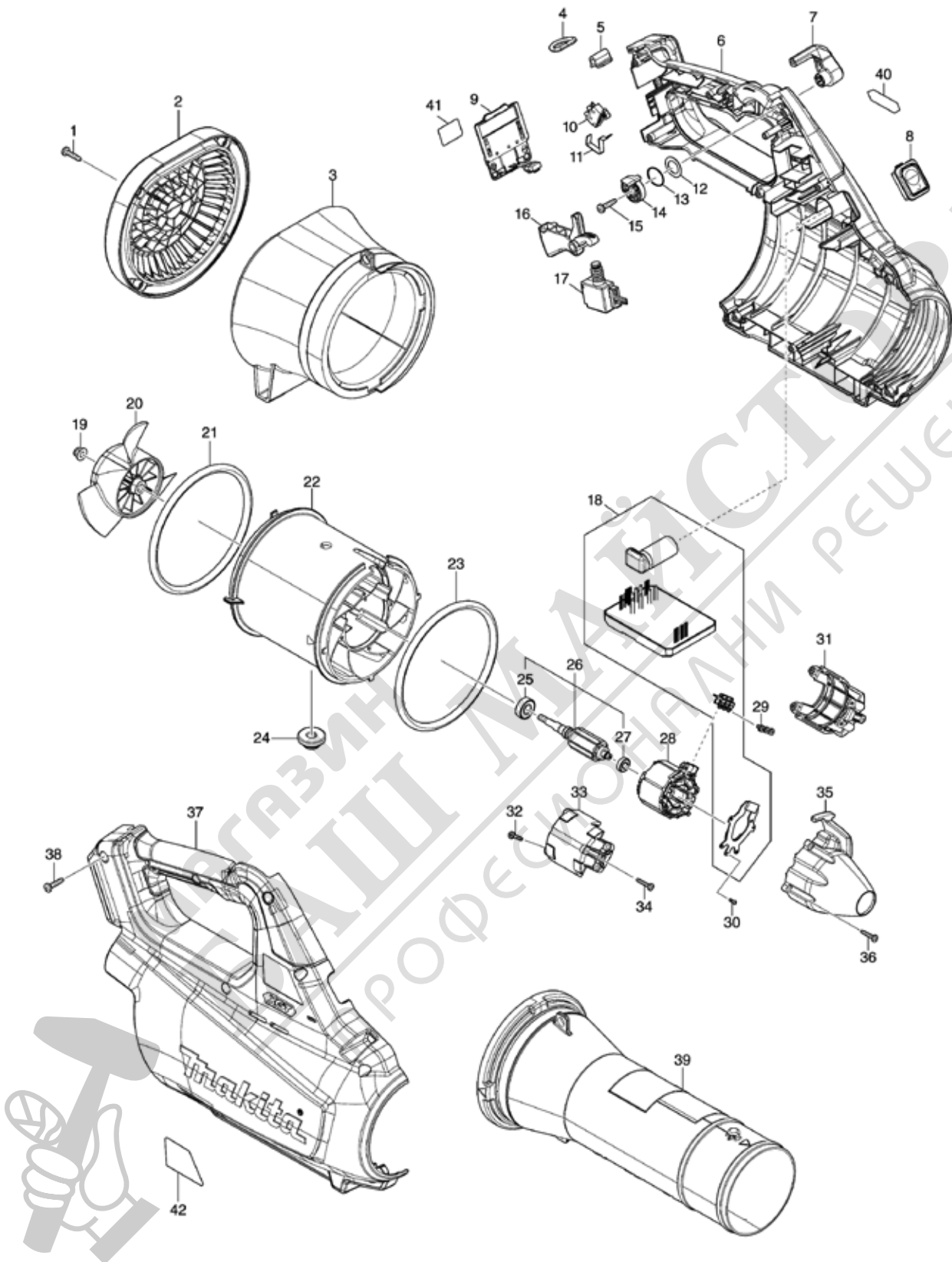


Model No.UB001G CORDLESS BLOWER



Model No.UB001G CORDLESS BLOWER

Item	Parts No.	Description	I/C	QTY	New/Old	Opt. 1	Opt. 2	NOTE
001	266326-2	TAPPING SCREW 4X18		4				
002	413368-9	REAR COVER		1				
003	140Y68-5	REAR HOUSING COMPLETE		1				
C10	422668-6	SPONGE		4				
004	327742-4	D RING 20		1				
005	347783-4	RING SUPPORT		1				
006	183T07-2	HOUSING SET		1				
C10	263005-3	RUBBER PIN 6		2				
C20	8011Y4-4	CAUTION LABEL		1				
D10		INC. 37						
007	412755-9	CONTROL LEVER		1				
008	140X08-7	SWITCH CIRCUIT COMPLETE		1				
C10	810D46-0	SWITCH LABEL		1				
009	632P65-6	TERMINAL UNIT		1				
010	632L48-2	SWITCH UNIT		1				
011	232634-3	LEAF SPRING		1				
012	253798-0	FLAT WASHER 13		1				
013	213154-6	O RING 14		1				
014	412754-1	LINK		1				
015	266326-2	TAPPING SCREW 4X18		1				
016	412756-7	SWITCH LEVER		1				
017	651496-4	SWITCH C3JR-1AT-PAXD3		1				
018	620E14-9	CONTROLLER		1				
019	252286-4	COLLARED HEX.LOCK NUT M5-8		1				
020	240177-1	FAN 110		1				
021	424721-4	RUBBER RING 115		1				
022	413366-3	FAN HOUSING		1				
023	424721-4	RUBBER RING 115		1				
024	424194-1	RUBBER RING 8		1				
025	210040-2	BALL BEARING 698LLU		1				
026	519580-0	ROTOR ASS'Y		1				
D10		INC. 25,27						
027	211157-4	BALL BEARING 695ZZ		1				
028	629A49-3	STATOR		1				
029	652069-6	FLAT HEAD SCREW M3X6		3				
030	266490-9	TAPPING SCREW PT 2X6		3				
031	183M64-8	MOTOR HOUSING SET		1				
D10		INC. 33						
032	266130-9	TAPPING SCREW BIND PT 3X16		4				
033	183M64-8	MOTOR HOUSING SET		1				
D10		INC. 31						

Please order the parts with part number.

Print Date 3/4/2021

Model No.UB001G CORDLESS BLOWER

Item	Parts No.	Description	I/C	QTY	New/Old	Opt. 1	Opt. 2	NOTE
034	266130-9	TAPPING SCREW BIND PT 3X16		2				
035	413365-5	CAP		1				
036	266130-9	TAPPING SCREW BIND PT 3X16		4				
037	183T07-2	HOUSING SET		1				
C10	263005-3	RUBBER PIN 6		2				
C20	8011Y4-4	CAUTION LABEL		1				
D10		INC. 6						
038	266326-2	TAPPING SCREW 4X18		10				
039	413367-1	FRONT PIPE		1				
040	8030S0-0	XGT LOGO LABEL		1				
041	811D71-4	UB001G SERIAL NO. LABEL		1				
042	811D64-1	UB001G NAME PLATE		1				
A01	166094-6	SHOULDER BELT		1				
A02	412758-3	END NOZZLE 80		1				
A03	191L96-5	ADAPTER PIPE 85-72 SET		1				
A04	183P97-1	EXTENSION NOZZLE SET		1				
A05	183P98-9	FLAT NOZZLE SET		1				
A06B	***DC40RA	DC40RA FAST CHARGER		1				
D10		COMPO-PARTS						
A07B	412393-7	BATTERY COVER		1				
A08B	191B26-6	BATTERY BL4040 SET		1				
E01	8031T1-1	SOUND LABEL		1				

Please order the parts with part number.

Print Date 3/4/2021

