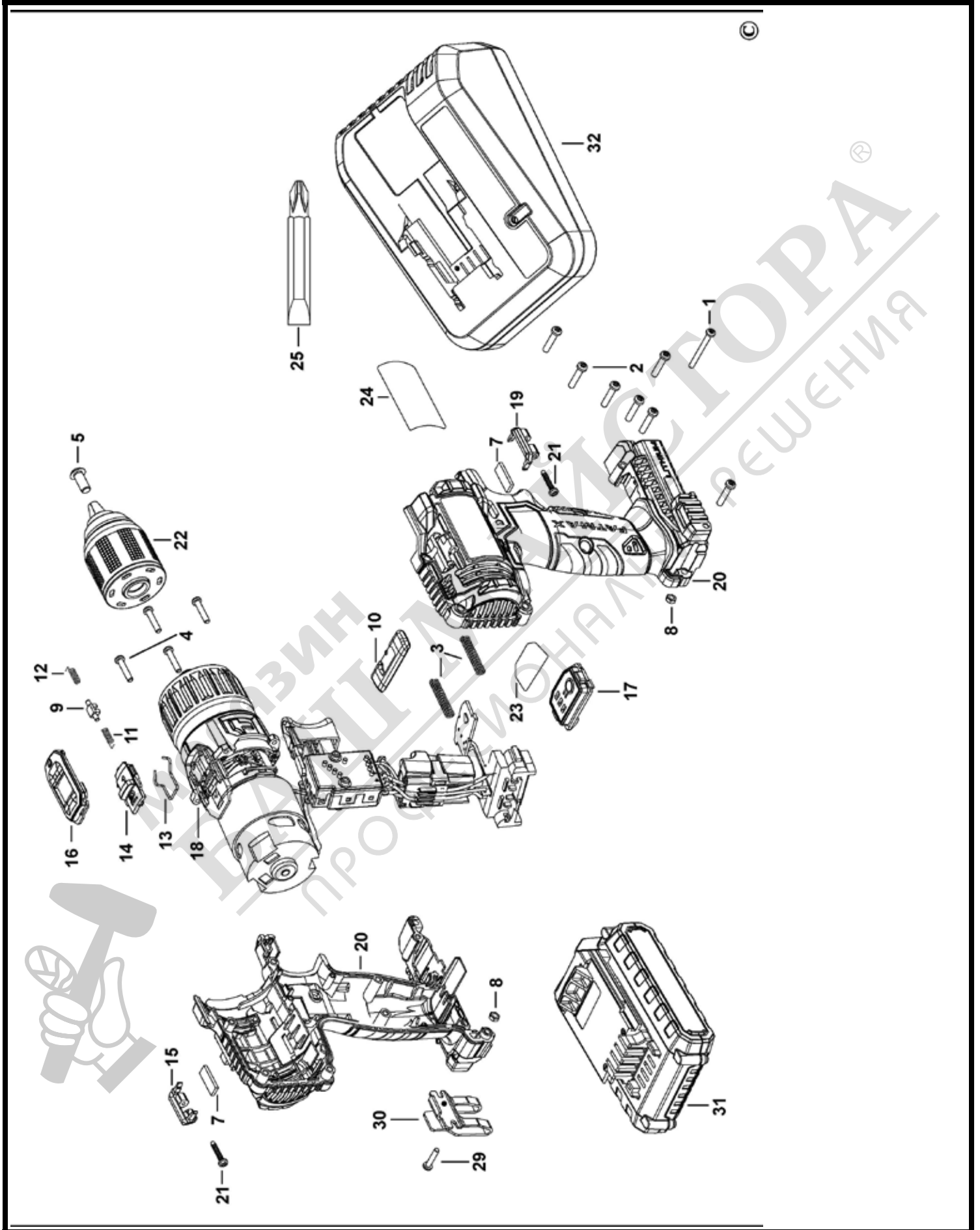


# FMC625 HAMMER DRILL 1



## Parts List FMC625 HAMMER DRILL 1

Item	Part Number	Qty	Part Description	General Description	Other Info	Repair Inst	Markets
1	486578-00	1	SCREW			No	QW
2	497283-01	7	SCREW			No	QW
3	5100035-03	2	SPRING			No	QW
4	5101046-00	1	SCREW			No	QW
5	5103096-01	1	SCREW			No	QW
7	90556563-01	2	MAGNET			No	QW
8	90556571	2	NUT	M3	Paired	No	QW
9	90569691-03	1	HOLDER			No	QW
10	90569693-01	1	ACTUATOR FWD/REV			No	QW
11	90569695	1	SPRING			No	QW
12	90569696	1	SPRING			No	QW
13	90569697	1	LEAF SPRING			No	QW
14	90572092-03	1	ACTUATOR			No	QW
15	90583794	1	CLIP			No	QW
16	90583994	1	SHROUD			No	QW
17	90584186	1	FOOT			No	QW
18	N924317	1	MOTOR & SWITCH SA			No	QW
19	90585477	1	CLIP			No	QW
20	90585488-04	1	HOUSING PAIR			No	QW
21	90586059	1	SCREW	M2.6 x 20mm		No	QW
22	90586194	1	CHUCK			No	QW
23	90586970	1	LABEL			No	QW
24	90604702	1	RATING PLATE			No	QW
25	90541185	1	BIT SCREWDRIVER			No	QW
29	90573424	1	SCREW	M3x15mm		No	QW
30	90587838	1	HOOK			No	QW
31	N552567	1	BATTERY 18V - 4.0AH - 72WH		FMC625M2	No	QW
31	NA012168	1	BATTERY 18V - 2.0AH - 36WH			No	QW
32	90608625-01	1	CHARGER 18V	2.0A	FMC625D2	No	QW
32	90608625-01	1	CHARGER 18V	2.0A	FMC625M2	No	QW