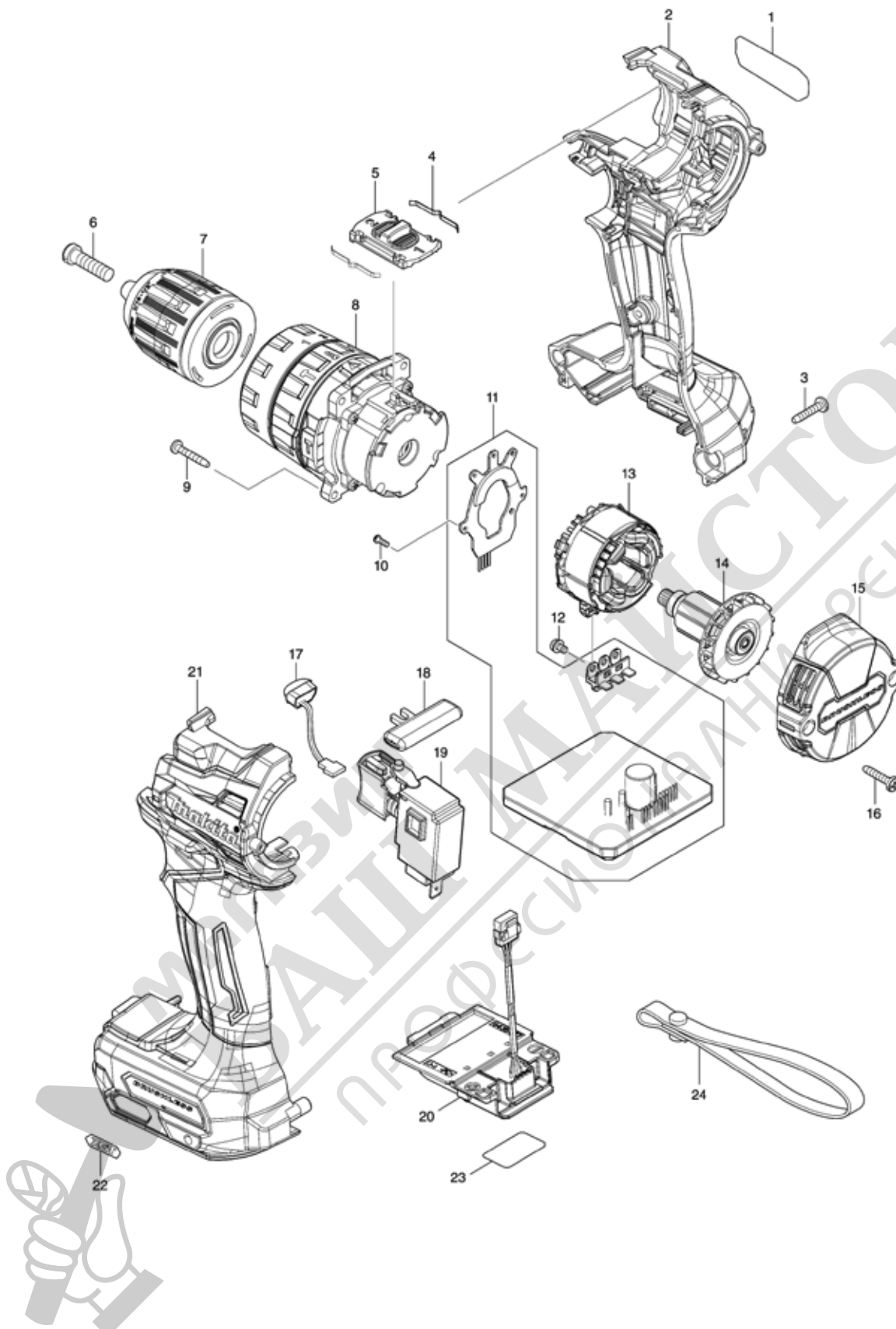


Model No.HP002G CORDLESS HAMMER DRIVER DRILL



https://msi.makita.co.jp/MsiWWW/MsiWWW/genpo_swf/print.html

Model No.HP002G CORDLESS HAMMER DRIVER DRILL

| Item | Parts No. | Description | I/C | Qty | New/Old | Opt. 1 | Opt. 2 | Note |
|------|-----------|-------------------------------|-----|-----|---------|--------|--------|------|
| A10B | 8028H2-4 | HP002GD201 PLASTIC CASE LABEL | | 2 | | | | |

Please order the parts with part number.

Print Date 14/1/2021

Model No.HP002G CORDLESS HAMMER DRIVER DRILL

| Item | Parts No. | Description | I/C | Qty | New/Old | Opt. 1 | Opt. 2 | Note |
|------|-----------|--------------------------------|-----|-----|---------|--------|--------|------|
| 001 | 858C81-4 | HP002G NAME PLATE | | 1 | | | | |
| 002 | 183S03-4 | HOUSING SET | | 1 | | | | |
| C10 | 263005-3 | RUBBER PIN 6 | | 2 | | | | |
| C20 | 252126-6 | HEX. LOCK NUT M4-7 | | 2 | | | | |
| D10 | | INC. 21 | | | | | | |
| 003 | 266429-2 | TAPPING SCREW 3X16 | | 7 | | | | |
| 004 | 232493-5 | LEAF SPRING | | 2 | | | | |
| 005 | 127731-7 | SPEED CHANGE LEVER ASSEMBLY | | 1 | | | | |
| C10 | 233438-6 | COMPRESSION SPRING 4 | | 2 | | | | |
| 006 | 251468-5 | - FLAT HEAD SCREW M6X22 | | 1 | | | | |
| 007 | 763256-3 | KEYLESS DRILL CHUCK 13 | | 1 | | | | |
| 008 | 127729-4 | GEAR ASSEMBLY | | 1 | | | | |
| 009 | 251497-8 | TAPPING SCREW 3X20 | | 4 | | | | |
| 010 | 266490-9 | TAPPING SCREW PT 2X6 | | 3 | | | | |
| 011 | 620E42-4 | CONTROLLER | | 1 | | | | |
| 012 | 652069-6 | FLAT HEAD SCREW M3X6 | | 3 | | | | |
| 013 | 629A35-4 | STATOR | | 1 | | | | |
| 014 | 619659-8 | ROTOR | | 1 | | | | |
| 015 | 413251-0 | REAR COVER | | 1 | | | | |
| 016 | 266429-2 | TAPPING SCREW 3X16 | | 2 | | | | |
| 017 | 620549-0 | LED CIRCUIT | | 1 | | | | |
| 018 | 419041-9 | F/R CHANGE LEVER | | 1 | | | | |
| 019 | 651443-5 | SWITCH C3JR-4B | | 1 | | | | |
| 020 | 632R99-1 | TERMINAL UNIT | | 1 | | | | |
| 021 | 183S03-4 | HOUSING SET | | 1 | | | | |
| C10 | 263005-3 | RUBBER PIN 6 | | 2 | | | | |
| C20 | 252126-6 | HEX. LOCK NUT M4-7 | | 2 | | | | |
| D10 | | INC. 2 | | | | | | |
| 022 | 8007R2-2 | XGT LOGO LABEL | | 1 | | | | |
| 023 | 858C88-0 | HP002G SERIAL NO. LABEL | | 1 | | | | |
| A01 | 251314-2 | + SCREW M4X12 | | 1 | | | | |
| A02 | 346317-0 | HOOK | | 1 | | | | |
| A03 | 784637-8 | +/- BIT 2-45 | | 1 | | | | |
| A04B | ***DC40RA | DC40RA FAST CHARGER | | 1 | | | | |
| D10 | | COMPO-PARTS | | | | | | |
| A05B | 191B36-3 | BATTERY BL4025 SET | | 2 | | | | |
| A06B | 412393-7 | BATTERY COVER | | 1 | | | | |
| A07B | 821550-0 | CONNECTOR PLASTIC CASE (TYPE2) | | 1 | | | | |
| C10 | 453974-8 | LATCH | | 4 | | | | |
| A08B | 835U77-0 | INNER TRAY | | 1 | | | | |
| A09B | 8028H1-6 | HP002GD201 INDICATION LABEL | | 1 | | | | |

Please order the parts with part number.

Print Date 14/1/2021