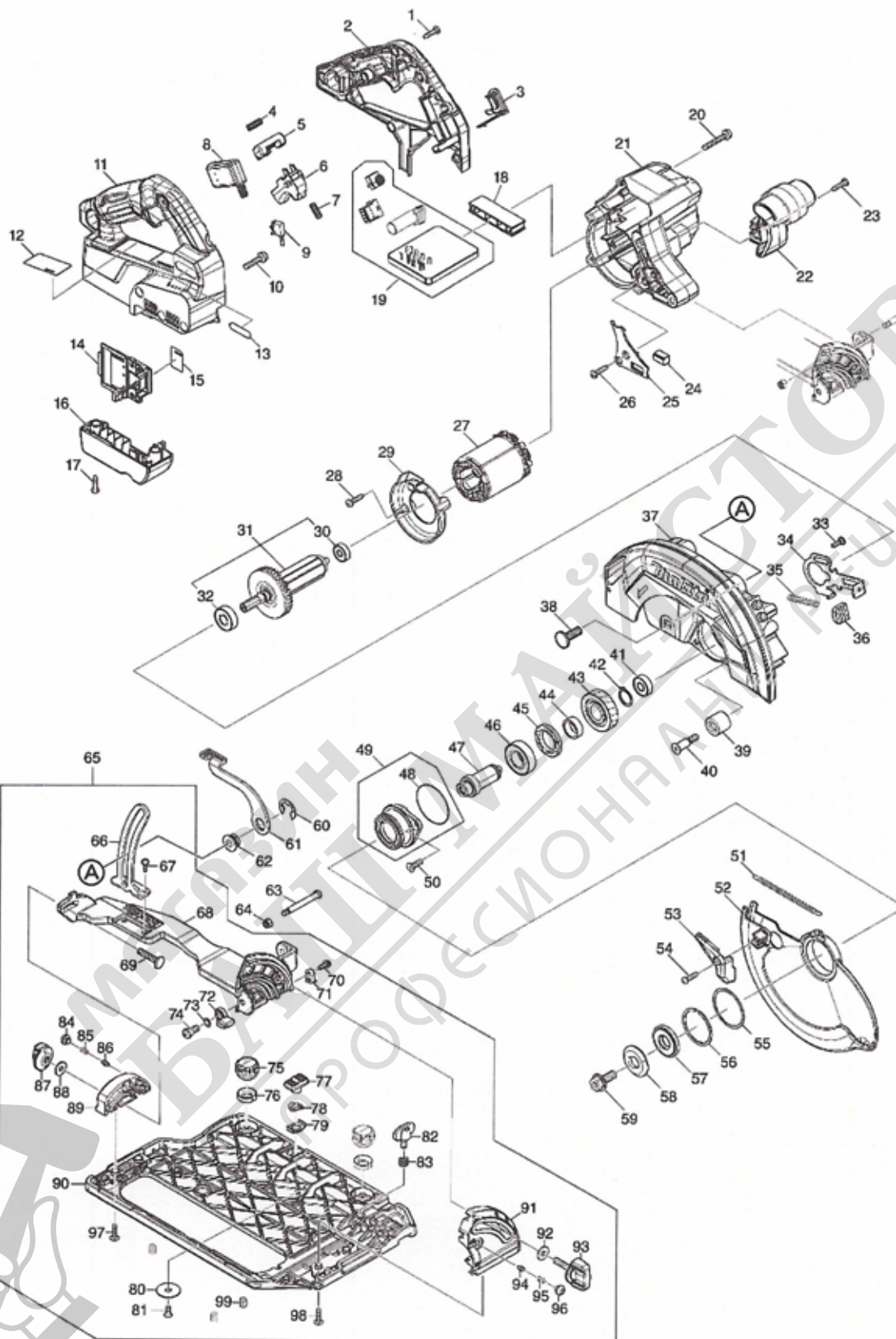


Model No.HS004G 185MM CORDLESS CIRCULAR SAW



POS. NO.	PART NO.	DESCRIPTION	USED QTY	NOTE 1	NOTE 2
001		266326-2 TAPPING SCREW 4X18	6		
002		183R15-1 HANDLE SET	1		
002	C10	263005-3 RUBBER PIN 6	1		
002	D10	INC. 11			
003		140F99-0 CAP COMPLETE	1		
003	C10	213218-6 O RING 16	1		
003	C20	818H07-8 CAP LABEL	1		
004		231433-0 COMPRESSION SPRING 4	1		
005		419704-7 LOCK OFF BUTTON	1		
006		458594-3 SWITCH LEVER	1		
007		231433-0 COMPRESSION SPRING 4	1		
008		651083-9 SWITCH C3XA-1PSM	1		
009		632M92-5 SWITCH UNIT	1		
010		911243-8 PAN HEAD SCREW M5X25	3		
011		183R15-1 HANDLE SET	1		
011	C10	263005-3 RUBBER PIN 6	1		
011	D10	INC. 2			
012		857E51-2 HS004G NAME PLATE	1		
013		8012U4-2 XGT LOGO LABEL	1		
014		632P65-6 TERMINAL UNIT	1		
015		857E58-8 HS004G SERIAL NO. LABEL	1		
016		140S46-9 TERMINAL HOUSING COMPLETE	1		
016	C10	263005-3 RUBBER PIN 6	1		
017		266326-2 TAPPING SCREW 4X18	2		
018		412480-2 SPACER	1		
019		620D01-2 CONTROLLER	1		
020		911258-5 PAN HEAD SCREW M5X35	4		
021		458746-6 MOTOR HOUSING	1		
022		458750-5 FRONT GRIP	1		
023		266326-2 TAPPING SCREW 4X18	1		
024		620936-3 LED CIRCUIT	1		
025		458751-3 LIGHT COVER	1		
026		266326-2 TAPPING SCREW 4X18	1		
027		629479-2 STATOR	1		
028		266326-2 TAPPING SCREW 4X18	2		
029		458749-0 BAFFLE PLATE	1		
030		210022-4 BALL BEARING 626DDW	1		
031		519534-7 ROTOR ASSY	1		
031	D10	INC. 30,32			
032		210059-1 BALL BEARING 6000DDW	1		
033		251529-1 + PAN HEAD SCREW M4X14	1		
034		347676-5 SHAFT LOCK	1		

035		233084-5	COMPRESSION SPRING 6	1		
036		286039-9	CAP	1		
037		140S42-7	BLADE CASE COMPLETE	1		
037	C10	213434-0	O RING 26	1		
037	C20	263005-3	RUBBER PIN 6	1		
037	C30	818C45-0	SCALE LABEL	1		
038		266396-1	FLATHEAD SQUARENECKBOLT M8X24	1		
039		262185-2	RUBBER SLEEVE8	1		
040		251572-0	+ COUNTERSUNK HEAD SCREW M6X30	1		
041		210029-0	BALL BEARING 608ZZ	1		
042		961057-5	RETAINING RING S-17	1		
043		226838-7	HELICAL GEAR 37	1		
044		257451-0	RING 17	1		
045		285809-3	BEARING RETAINER 23-36	1		
046		210301-0	BALL BEARING 6003DDW	1		
047		327192-3	SPINDLE	1		
048		213565-5	O RING 42	1		
049		136021-7	BEARING BOX ASSY	1		
049	D10		INC. 48			
050		265034-2	+ COUNTERSUNK HEAD SCREW M5X16	2		
051		232467-6	TENSION SPRING 4	1		
052		319970-5	SAFETY COVER	1		
053		271450-8	LEVER 37	1		
054		265178-8	PAN HEAD SCREW M4X16	1		
055		267337-0	FLAT WASHER 40	1		
056		257452-8	RETAINING RING (EXT) WR-40	1		
057		224593-5	INNER FLANGE 35	1		
058		224409-4	OUTER FLANGE 35	1		
059		266283-4	HEX. SOCKET HEX. BOLT M8X20	1		
060		257953-6	BOW STOP RING E-12	1		
061		271460-5	LEVER 90	1		
062		252262-8	COLLERED HEX. NUT M8	1		
063		265118-6	+ PAN HEAD SCREW M5	1		
064		252103-8	HEX. LOCK NUT M5-8	1		
065		136280-3	BASE ASSY	1		
065	D10		INC. 66-99			
066		347532-9	DEPTH GUIDE	1		
067		911516-9	PAN HEAD SCREW M4X12	2		
068		319975-5	FRAME	1		
069		251920-3	CAP SQUARE NECK BOLT M6X30	1		
070		911118-1	PAN HEAD SCREW M4X12	1		
071		419632-6	POSITION PLATE	1		
072		319978-9	STOPPER	1		

073	213026-5	O RING 7	1		
074	251267-5	+ PAN HEAD SCREW M6	1		
075	265775-0	THUMB SCREW M4X3	2		
076	419627-9	HOLDER	2		
077	458092-7	SLIDE LEVER	1		
078	253932-2	WAVE WASHER 10	1		
079	345977-5	PLATE	1		
080	345748-0	LOCK WASHER	1		
081	912112-6	COUNTERSUNK HEAD SCREW M4X10	1		
082	265701-9	THUMB SCREW M6X14	1		
083	233376-2	COMPRESSION SPRING 8	1		
084	266559-9	H.S.BUTTON HEAD BOLT M6X4	1		
085	231234-6	COMPRESSION SPRING 3.5	1		
086	263041-9	SHOULDER PIN 3-5	1		
087	252270-9	THUMB NUT M6	1		
088	253111-2	FLAT WASHER 6	1		
089	319977-1	REAR ANGULAR PLATE	1		
090	319974-7	BASE	1		
091	319976-3	FRONT ANGULAR PLATE	1		
092	253111-2	FLAT WASHER 6	1		
093	265776-8	THUMB SCREW M6X26	1		
094	263041-9	SHOULDER PIN 3-5	1		
095	231234-6	COMPRESSION SPRING 3.5	1		
096	266559-9	H.S.BUTTON HEAD BOLT M6X4	1		
097	265174-6	+ TRUSS HEAD SCREW M4X16	2		
098	265174-6	+ TRUSS HEAD SCREW M4X16	2		
099	266225-8	H.S.SET SCREW(FLAT POINT)M6X8	3		
A01	196520-1	DUST NOZZLE SET	1		
A02	B-64185	TCT BLADE190X24T WOOD EFFICUT	1		
A03	783204-6	HEX. WRENCH 6	1		
A14	164095-8	GUIDE RULE	1		

