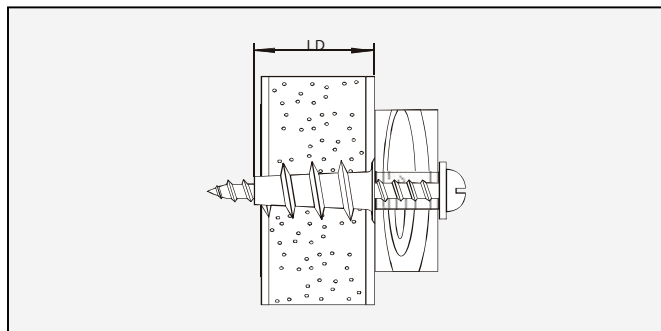
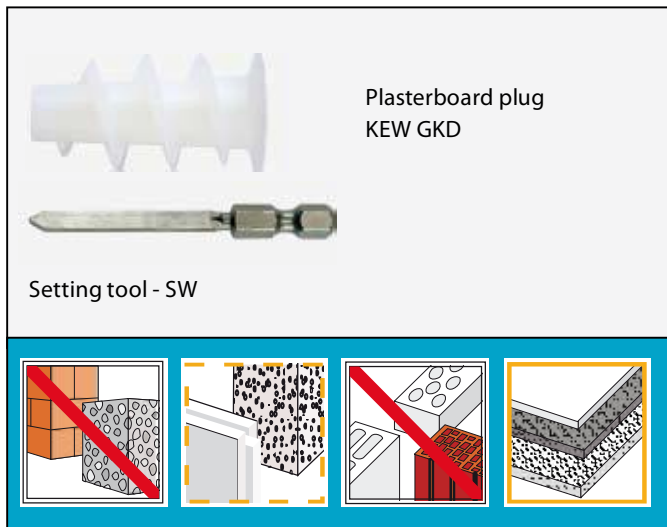


Plasterboard Plug, plastic - GKD



Technical Data

KEW GKD - plasterboard plug

type	ref.-no.	LD plug length [mm]	ØS Ø wood screw [mm]	ØS Ø chip-board screw [mm]	ØS Ø tap screw [mm]	qty. per box pcs.	outer carton pcs.
GKD	31075	24	4,0 - 5,5	4,0 - 6,0	4,2 - 5,5	200	3200



KEW SW - setting tool

SW	31076					10	50
----	-------	--	--	--	--	----	----



KEW GKD SW - plasterboard plug with setting tool

GKD SW	31077	24	4,0 - 5,5	4,0 - 6,0	4,2 - 5,5	200+1	3200+16
GKD SW	32680	24	4,0 - 5,5	4,0 - 6,0	4,2 - 5,5	50+1	2700+54



KEW GKD SWS - plasterboard plug with setting tool and chipboard screw

GKD SWS	32681	24		4,0 x 40,0		50+1	1800+36
---------	-------	----	--	------------	--	------	---------

Pullout loads in kN*

	gypsum plasterboard 9,5 mm	gypsum plasterboard 12,5 mm	gypsum plasterboard 2 x 12,5 mm
GKD	0,46	0,57	0,75

* the loads stated are failure loads valid for general fixings and confirmed strength of the base material indicated. An adequate safety factor should be applied

Suitability

Base materials:
plasterboard, limited suitability for gypsum plates and aircrete

For fixing of:

picture frames, lamps, skirting boards, key boxes, spice shelves

Characteristics

- time saving fixing system consisting of plug and setting tool
- self undercutting system ensures optimal anchorage
- non conductive plastic material for electrical applications
- reusable setting tool

Advice

Board thicknesses exceeding 15 mm and aircrete require pre-drilling with the setting tool.

The GKD is not suited for gypsum fibre-boards and tiled plasterboards.

Installation

