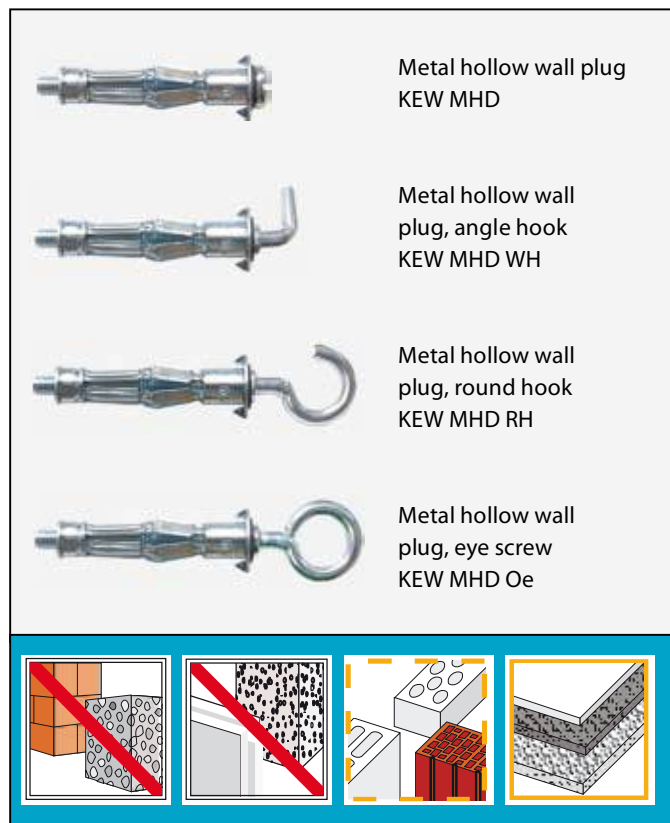


Metal Hollow Wall Plug - MHD



Metal hollow wall plug
KEW MHD

Metal hollow wall
plug, angle hook
KEW MHD WH

Metal hollow wall
plug, round hook
KEW MHD RH

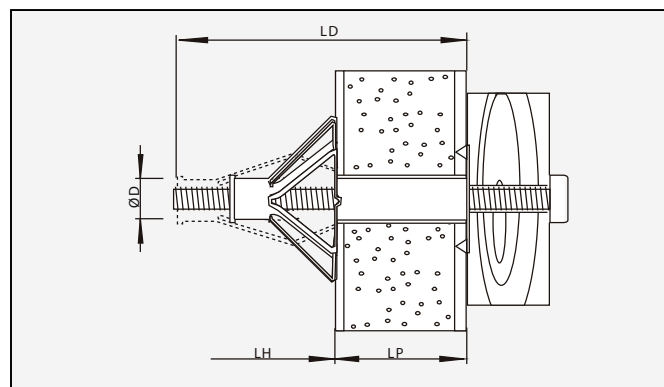
Metal hollow wall
plug, eye screw
KEW MHD Oe

Characteristics

- multiple split plug with pre-installed metric screw
- simple installation with screw driver or setting tool
- once collapsed the segments form a large supporting area at the rear side for improved holding power
- screw may be removed at any time without loss of holding power
- now also available: with round hook, angle hook and eye screw

Advice

Installation with screw driver or cordless drill is finished once the screw is noticeably tightened.
In case of soft boards use metal drill bit and drill with rotary action only.



Suitability

Base materials:

panels, boards, hollow ceilings with large cavities, limited suitability for hollow blocks

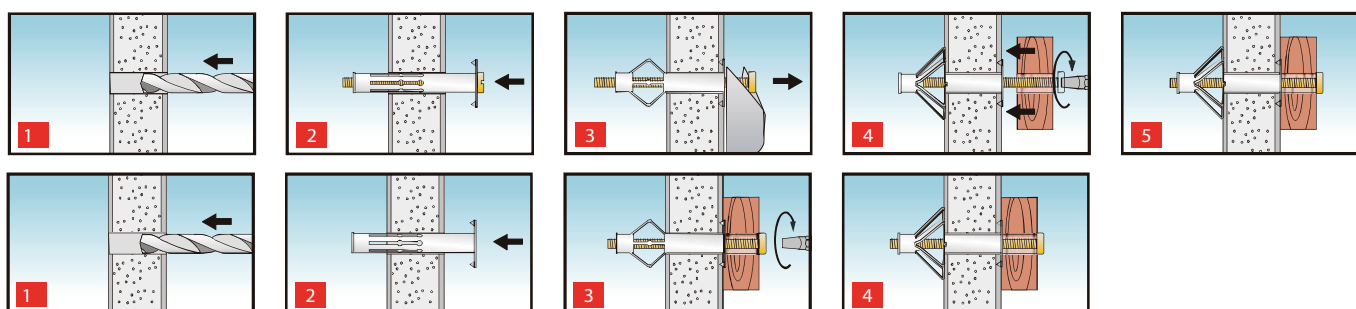
picture frames, lamps, skirting boards, key boxes, shelves, wall-mounted cup-boards, towel rails, curtain rails

Pullout loads in kN*

	gypsum plasterboard 12.5 mm	gypsum plasterboard 2 x 12.5 mm
MHD 4 x 12	0,3	-
MHD 5 x 16	0,7	-
MHD 6 x 16	0,8	-
MHD 4 x 24	-	0,6
MHD 5 x 24	-	1,0
MHD 6 x 24	-	1,0

* the loads stated are failure loads valid for general fixings and confirmed strength of the base material indicated. An adequate safety factor should be applied.

Installation



Metal Hollow Wall Plug - MHD

Technical Data



KEW MHD - zinc plated, with metric screw

type	ref.-no	ØD Ø plug bit [mm]	LD plug length [mm]	LP board thickn. min./max. [mm]	LV min. cavity depth [mm]	screw Ø x l [mm]	qty. per box pcs.	outer carton pcs.
MHD 4 x 6	36940	8	22	- 6	25	M 4 x 30	50	2700
MHD 4 x 12	36941	8	32	3 - 12	36	M 4 x 39	50	1800
MHD 4 x 24	36942	8	46	14 - 24	36	M 4 x 52	50	1350
MHD 4 x 38	36943	8	60	32 - 38	31	M 4 x 65	50	1350
MHD 5 x 12	36944	10	37	6 - 12	39	M 5 x 45	50	1350
MHD 5 x 16	36945	10	52	3 - 16	55	M 5 x 58	50	800
MHD 5 x 24	36946	10	65	14 - 24	57	M 5 x 71	50	800
MHD 5 x 38	36947	10	80	27 - 38	61	M 5 x 88	50	400
MHD 6 x 13	36948	12	37	6 - 13	39	M 6 x 45	50	800
MHD 6 x 16	36949	12	52	3 - 16	55	M 6 x 58	50	400
MHD 6 x 24	36950	12	65	14 - 24	57	M 6 x 71	50	400
MHD 6 x 38	36951	12	80	27 - 38	61	M 6 x 88	50	400
MHD 8 x 16 ¹	36688	13	55	3 - 16	55	M 8 x 65	25	400
MHD 8 x 32 ¹	36689	13	68	14 - 32	57	M 8 x 75	25	400

¹ with metric hexagonal screw



KEW MHD WH - zinc plated, with angle hook

MHD 5 x 16 WH	36683	10	52	3 - 16	55	M 5 x 60	25	400
MHD 6 x 24 WH	36686	12	65	14 - 24	57	M 6 x 70	25	400



KEW MHD RH - zinc plated, with round hook

MHD 5 x 16 RH	36682	10	52	3 - 16	55	M 5 x 60	25	400
MHD 6 x 24 RH	36685	12	65	14 - 24	57	M 6 x 70	25	400



KEW MHD Oe - zinc plated, with eye screw

MHD 5 x 16 Oe	36684	10	52	3 - 16	55	M 5 x 60	25	400
MHD 6 x 24 Oe	36687	12	65	14 - 24	57	M 6 x 70	25	400

Technical Data



HMZ 1 - setting tool PRO



HMZ 2 - setting tool DIY

type	ref.-no.		qty. per box pcs.
HMZ 1	30945	for professionals	1
HMZ 2	30784	for do it yourself	1