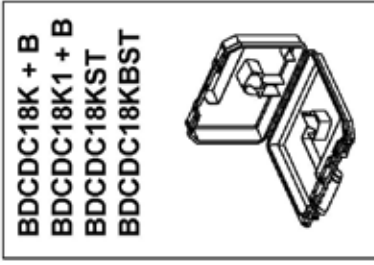


## Parts List BDCDC18 DRILL/DRIVER H1

Item	Part Number	Qty	Part Description	General Description	Other Info	Repair Inst	Markets
1	000000-05	1	PARTIAL SUPPORT - ONLY PARTS L		BDCDC18 + No		QW
1	000000-05	1	PARTIAL SUPPORT - ONLY PARTS L		B BDCDC18K No		QW
1	000000-05	1	PARTIAL SUPPORT - ONLY PARTS L		ST BDCDC18K No		QW
1	000000-05	1	PARTIAL SUPPORT - ONLY PARTS L		BST BDCDC18B No		QW
2	149518-01	1	SCREW		AST No		QW
3	90618579-01	1	CHUCK 10MM		No		QW
4	90554689	1	ACTUATOR FWD/REV		No		QW
5	90621521-01	1	SWITCH SA		No		QW
6	5100035-03	2	SPRING		No		QW
7	90590287-06	1	CHARGER SA		BDCDC18B No		QW
7	90590287-06	1	CHARGER SA		AST / HTSA BDCDC18 + No		QW
7	90634971	1	CHARGER SA		B BDCDC18K No		QW
7	90599854-06	1	CHARGER SA		BST BDCDC18K No		QW
7	N494098	1	CHARGER SA		1B BDCDC18K No		QW
7	N494098	1	CHARGER SA		+KB BDCDC18K No		QW
8	90641356	1	BATTERY 18V - 1.5AH - 27WH	Li-Ion - BL1518-XJ	ST BDCDC18 No		QW
8	90641356	1	BATTERY 18V - 1.5AH - 27WH	Li-Ion - BL1518-XJ	+B+ BDCDC18B No		QW
8	N694213	1	BATTERY 18V - 1.5AH - 27WH		K+KB+K1B AST BDCDC18K No		QW
8	N694213	1	BATTERY 18V - 1.5AH - 27WH		ST BDCDC18K No		QW
9	90627816-03	1	KITBOX		BST BDCDC18K No		QW
9	90627816-02	1	KITBOX		BST BDCDC18K No		QW
9	90627816	1	KITBOX		ST BDCDC18K No		QW
9	90627816-01	1	KITBOX		+KB BDCDC18K No		QW
9	90609320-01	1	KIT BOX		1+K1B BDCDC18B No		QW
10	148354-03	1	HOLDER		AST No		QW
11	000000-04	1	NOT INCLUDED WITH THIS PRODUCT		No		QW

# BDCDC18 DRILL/DRIVER H1

©



9



8



7



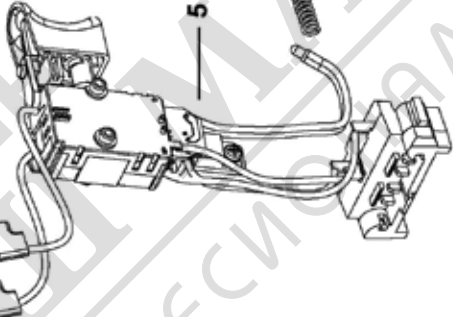
3



4



5



6

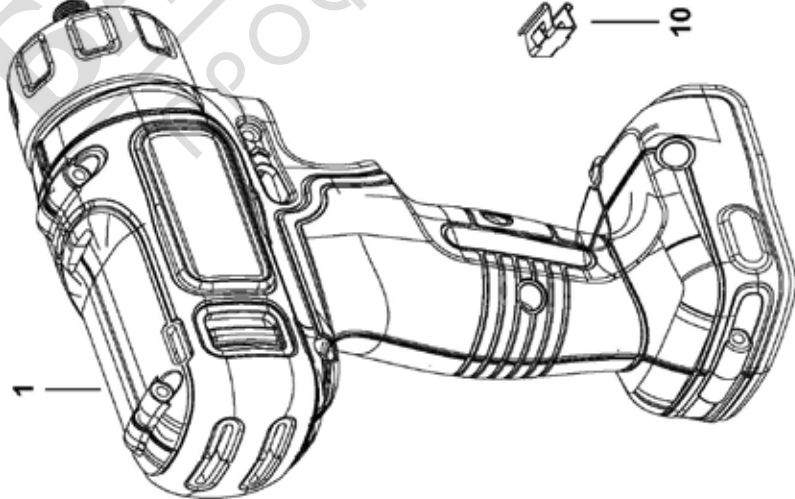


10



11

1



МАЙСТОР  
ПРОФЕСІОНАЛНИ РЕШЕННЯ