

# SECURITY

## SUBMERSIBLE DRAINAGE PUMPS



Clear water

Domestic use

Civil use



### PERFORMANCE RANGE

- Flow rate up to **300 l/min** (18 m<sup>3</sup>/h)
- Head up to **26 m**

### APPLICATION LIMITS

- **5 m** maximum immersion depth (with a sufficiently long power cable)
- Maximum liquid temperature **+40 °C**
- Passage of suspended solids up to **Ø 10 mm**
- Suction down to **17 mm** above ground level
- Minimum immersion depth for continuous service: **220 mm**

### CONSTRUCTION AND SAFETY STANDARDS

The pumps are complete with:

- power cable
- float switch for single-phase versions

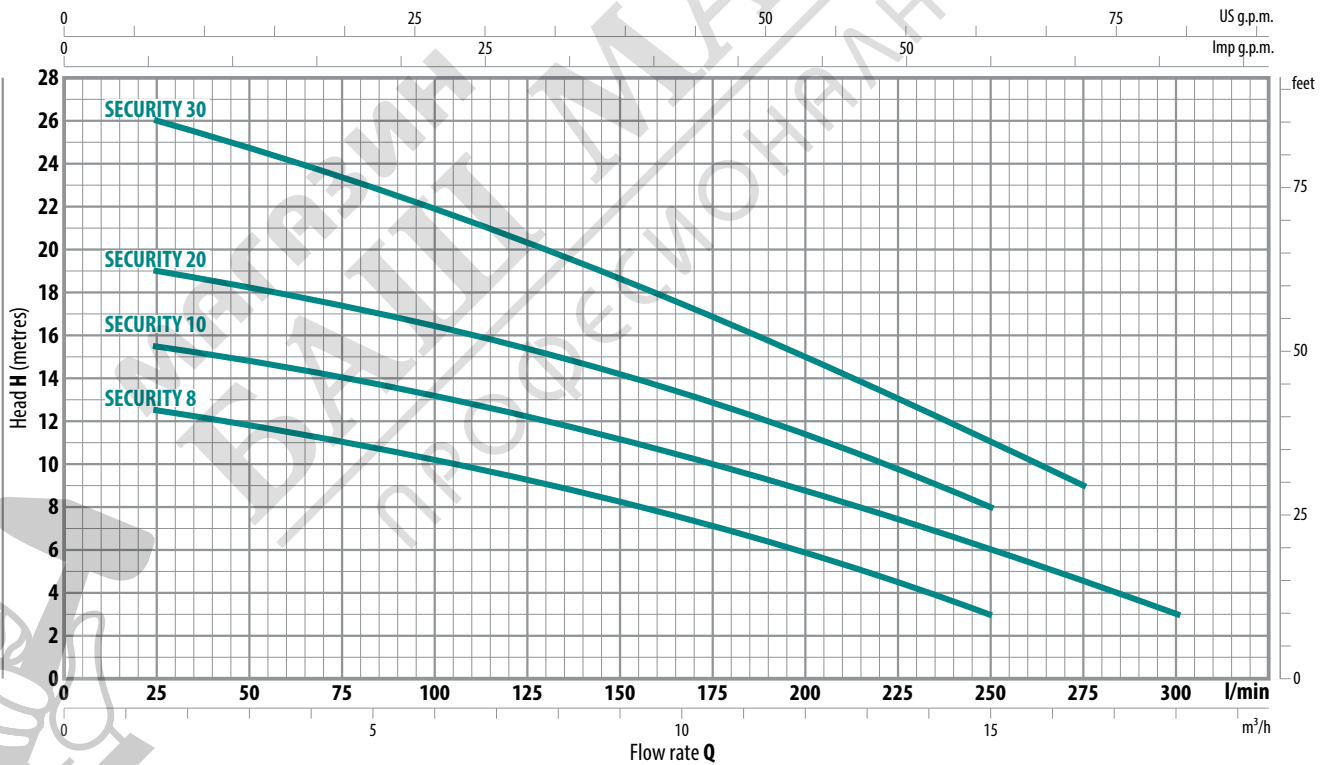
EN 60335-1  
IEC 60335-1  
CEI 61-150

EN 60034-1  
IEC 60034-1  
CEI 2-3



### CHARACTERISTIC CURVES AND PERFORMANCE DATA

50 Hz | n=2900 min<sup>-1</sup>



MODEL		POWER (P <sub>2</sub> )		Q	Flow rate														
Single-phase	Three-phase	kW	HP		0	1.5	3.0	4.5	6.0	7.5	9.0	10.5	12.0	13.2	15.0	16.5	18.0		
				l/min	0	25	50	75	100	125	150	175	200	220	250	275	300		
SECURITY 8M	SECURITY 8	0.55	0.75	H metres	13	12.5	12	11	10	9	8	7	6	4.7	3				
SECURITY 10M	SECURITY 10	0.75	1		16	15.5	15	14	13.2	12.2	11.2	10	8.8	7.8	6	4.5	3		
SECURITY 20M	SECURITY 20	0.75	1		20	19	18.5	17.5	16.5	15.5	14.3	13	11.5	10	8				
SECURITY 30M	SECURITY 30	1.1	1.5		26	26	25	23.5	22	20.5	18.7	17	15	13.5	11	9			

Q = Flow rate  
H = Total manometric head

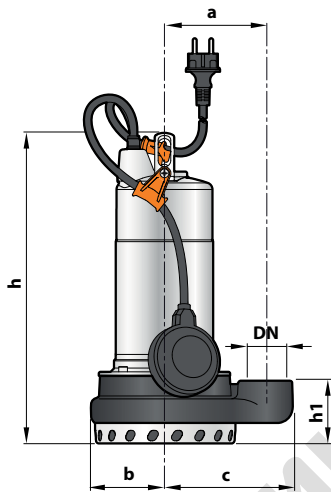
Tolerance of characteristic curves in compliance with EN ISO 9906 Grade 3B.

## INSTALLATION AND USE

Designed for draining clear or slightly dirty water, the SECURITY series pumps are recommended for domestic, civil and professional applications for draining flooded interiors such as basements and garages, for emptying swimming pools and tanks, for disposal of waste water which is not filthy.

These pumps distinguish themselves for their reliability, which can be best appreciated under automatic operating conditions in fixed installations.

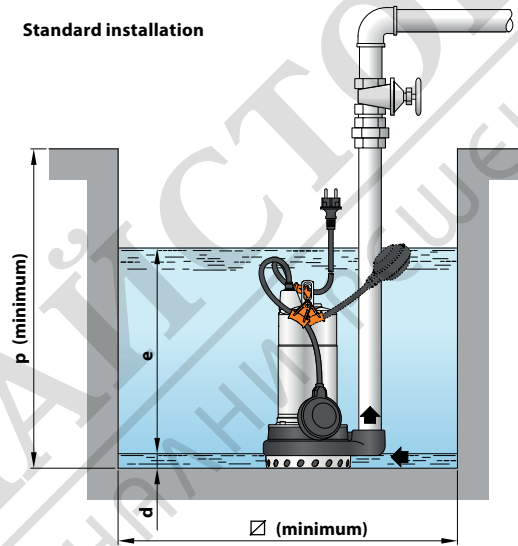
## DIMENSIONS AND WEIGHT



## CONSTRUCTION CHARACTERISTICS

<b>PUMP BODY</b>	Cast iron with an Epoxy Electro Coating treatment, with threaded port in compliance with ISO 228/1
<b>IMPELLER</b>	Technopolymer open type
<b>MOTOR SHAFT</b>	Stainless steel AISI 431
<b>SHAFT WITH DOUBLE MECHANICAL SEAL SEPARATED BY AN OIL CHAMBER</b>	<b>Motor side:</b> Silicon carbide - Graphite - NBR <b>Pump side:</b> Silicon carbide - Silicon carbide - NBR
<b>POWER CABLE</b>	H07 RN-F type 5 m long power cable (10 m for SECURITY 30) (with Schuko plug for single-phase versions only)

Standard installation



MODEL		PORT DN	DIMENSIONS mm									kg	
Single-phase	Three-phase		a	b	c	h	h1	d	e	p	Ø	1~	3~
SECURITY 8M	SECURITY 8	1½"	115	85	147	340	72	17	variable	500	500	12.0	11.7
SECURITY 10M	SECURITY 10											13.1	12.0
SECURITY 20M	SECURITY 20					13.1	12.0						
SECURITY 30M	SECURITY 30					15.1	14.1						

## ABSORPTION

MODEL	VOLTAGE		
Single-phase	230 V	240 V	110 V
SECURITY 8M	3.2 A	3.1 A	6.4 A
SECURITY 10M	4.7 A	4.5 A	9.4 A
SECURITY 20M	5.7 A	5.5 A	11.4 A
SECURITY 30M	7.2 A	6.9 A	-

MODEL	VOLTAGE			
Three-phase	230 V	400 V	240 V	415 V
SECURITY 8	2.8 A	1.6 A	2.7 A	1.55 A
SECURITY 10	3.5 A	2.0 A	3.4 A	1.95 A
SECURITY 20	4.2 A	2.4 A	4.0 A	2.3 A
SECURITY 30	5.2 A	3.0 A	5.0 A	2.9 A

## PALLETIZATION

MODEL		GROUPAGE	CONTAINER
Single-phase	Three-phase	n. pumps	n. pumps
SECURITY 8M	SECURITY 8	60	80
SECURITY 10M	SECURITY 10	60	80
SECURITY 20M	SECURITY 20	60	80
SECURITY 30M	SECURITY 30	60	80