



### PERFORMANCE RANGE

- Flow rate up to **60 l/min** (3.6 m<sup>3</sup>/h)
- Head up to **48 m**

### APPLICATION LIMITS

- Manometric suction lift up to **9 m** (HS)
- Liquid temperature between **-10 °C** and **+40 °C**
- Ambient temperature up to **+40 °C**
- Max. working pressure **6 bar**
- Continuous service **S1**

### CONSTRUCTION AND SAFETY STANDARDS

EN 60335-1  
IEC 60335-1  
CEI 61-150

EN 60034-1  
IEC 60034-1  
CEI 2-3



### CERTIFICATIONS

Company with management system certified DNV  
ISO 9001: QUALITY



### INSTALLATION AND USE

Suitable for use with clean water and with liquids that are not chemically aggressive towards the materials from which the pump is made. The self-priming JSW pumps are designed to pump water even in cases where air is present. Because of their reliability and the fact that they are easy to use, they are recommended for use in domestic applications such as the distribution of water in combination with small or medium sized pressure tanks, and for the irrigation of gardens and orchards, etc.

Installation needs to be undertaken in well ventilated closed areas or anyway protected from bad weather.

### PATENTS - TRADE MARKS - MODELS

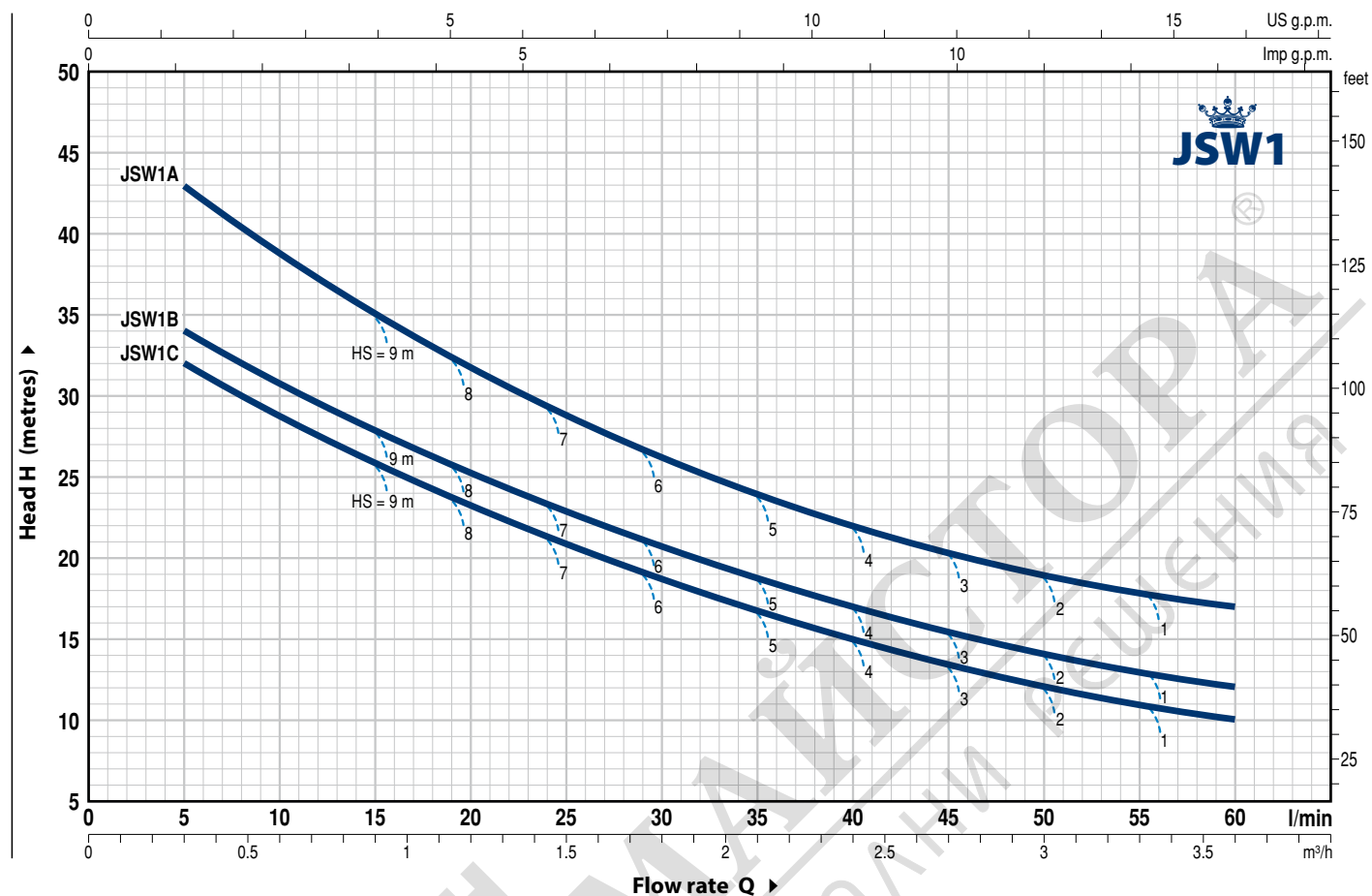
- Registered Trade Mark n. 013073135 JSW<sup>®</sup>
- Registered EU Design n. 002218610
- European Patent n. 1 510 696

### OPTIONS AVAILABLE ON REQUEST

- Pumps with technopolymer impeller
- Other voltages or 60 Hz frequency

## CHARACTERISTIC CURVES AND PERFORMANCE DATA

50 Hz n = 2900 min<sup>-1</sup> HS = 0 m



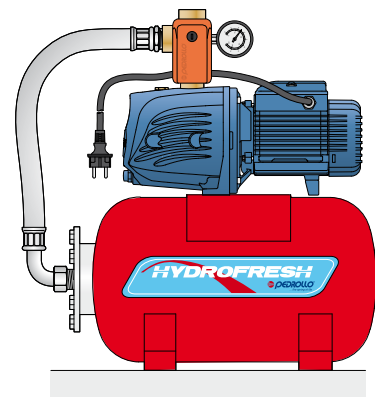
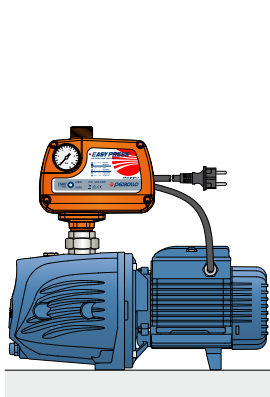
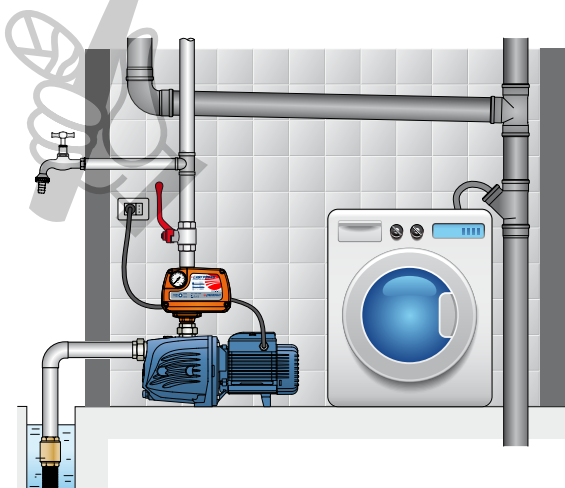
MODEL		POWER (P <sub>2</sub> )		Q	Flow rate										
Single-phase	Three-phase	kW	HP		0	0.3	0.6	1.2	1.5	1.8	2.4	2.7	3.0	3.6	
				l/min	0	5	10	20	25	30	40	45	50	60	
JSWm 1C	JSW 1C	0.37	0.50	H metres	35	32	28.5	23.5	21	18.5	15	13.5	12	10	
JSWm 1B	JSW 1B	0.48	0.65		37	34	30.5	25.5	23	20.5	17	15.5	14	12	
JSWm 1A	JSW 1A	0.55	0.75	IE3	48	43	39	31.5	28.5	26	22	20.5	19	17	

Q = Flow rate H = Total manometric head HS = Suction height

Tolerance of characteristic curves in compliance with EN ISO 9906 Grade 3B.

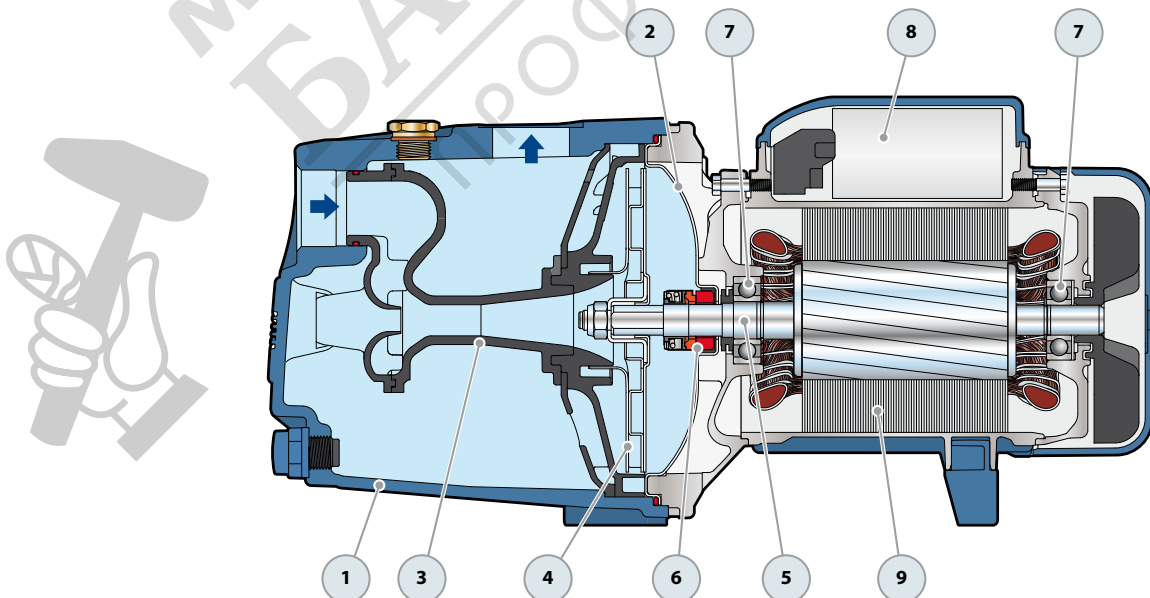
▲ Three-phase motor efficiency class (IEC 60034-30-1)

## STANDARD INSTALLATION

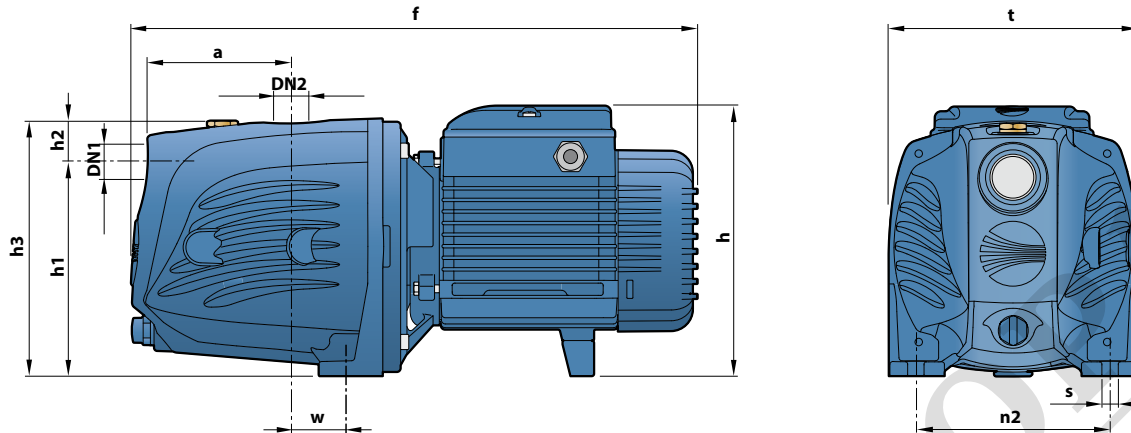


## POS. COMPONENT CONSTRUCTION CHARACTERISTICS

1	<b>PUMP BODY</b>	Cast iron with an Epoxy Electro Coating treatment, with threaded ports in compliance with ISO 228/1				
2	<b>BODY BACKPLATE</b>	Stainless steel AISI 304				
3	<b>NOZZLE ASSEMBLY</b>	Noryl FE1520PW				
4	<b>IMPELLER</b>	Stainless steel AISI 304				
5	<b>MOTOR SHAFT</b>	Stainless steel AISI 431				
6	<b>MECHANICAL SEAL</b>	<i>Seal Model</i>	<i>Shaft Diameter</i>	<i>Stationary ring</i>	<i>Materials Rotational ring</i>	<i>Elastomer</i>
		AR-12	Ø 12 mm	Ceramic	Graphite	NBR
7	<b>BEARINGS</b>	6201 ZZ / 6201 ZZ				
8	<b>CAPACITOR</b>	<i>Pump Single-phase</i>	<i>Capacitance (230 V or 240 V)</i>	<i>(110 V)</i>		
		JSWm 1C	10 µF - 450 VL	25 µF - 250 VL		
		JSWm 1B	10 µF - 450 VL	25 µF - 250 VL		
		JSWm 1A	14 µF - 450 VL	25 µF - 250 VL		
9	<b>ELECTRIC MOTOR</b>	<p><b>JSWm:</b> single-phase 230 V - 50 Hz with thermal overload protector incorporated into the winding.  <b>JSW:</b> three-phase 230/400 V - 50 Hz.</p> <p>➔ <b>The three-phase pumps are fitted with high performance motors up to P2=0.48 kW in class IE2 and from P2=0.55 kW in class IE3 (IEC 60034-30-1)</b></p> <ul style="list-style-type: none"> <li>- Insulation: class F</li> <li>- Protection: IP X4</li> </ul>				



## DIMENSIONS AND WEIGHT



MODEL		PORTS		DIMENSIONS mm										kg	
Single-phase	Three-phase	DN1	DN2	a	f	h	h1	h2	h3	t	n2	w	s	1~	3~
JSWm 1C	JSW 1C													9.8	9.7
JSWm 1B	JSW 1B	1"	1"	94	357	171	127	35	162	158	124	24	10	9.7	9.9
JSWm 1A	JSW 1A													10.5	9.7

## ABSORPTION

MODEL	VOLTAGE		
Single-phase	230 V	240 V	110 V
JSWm 1C	2.5 A	2.4 A	5.0 A
JSWm 1B	3.0 A	3.0 A	6.0 A
JSWm 1A	3.6 A	3.3 A	7.2 A

MODEL	VOLTAGE					
Three-phase	230 V	400 V	690 V	240 V	415 V	720 V
JSW 1C	1.7 A	1.0 A	0.6 A	1.7 A	1.0 A	0.6 A
JSW 1B	2.3 A	1.3 A	0.8 A	2.1 A	1.2 A	0.7 A
JSW 1A	2.8 A	1.6 A	0.9 A	2.6 A	1.5 A	0.9 A

## PALLETIZATION

MODEL		GROUPAGE	CONTAINER
Single-phase	Three-phase	n. pumps	n. pumps
JSWm 1C	JSW 1C	98	140
JSWm 1B	JSW 1B	98	140
JSWm 1A	JSW 1A	98	140