

PATROL

SUBMERSIBLE PUMPS



DOUBLE-CHANNEL

-  Filthy water
-  Domestic use
-  Civil use



PERFORMANCE RANGE

- Flow rate up to **750 l/min** (45 m³/h)
- Head up to **15 m**

APPLICATION LIMITS

- **10 m** maximum immersion depth (with a sufficiently long power cable)
- Maximum liquid temperature **+40 °C**
- Passage of suspended solids up to **Ø 50 mm**
- Minimum immersion depth for continuous service: **300 mm**

CONSTRUCTION AND SAFETY STANDARDS

- Power cable
- Float switch for single-phase versions

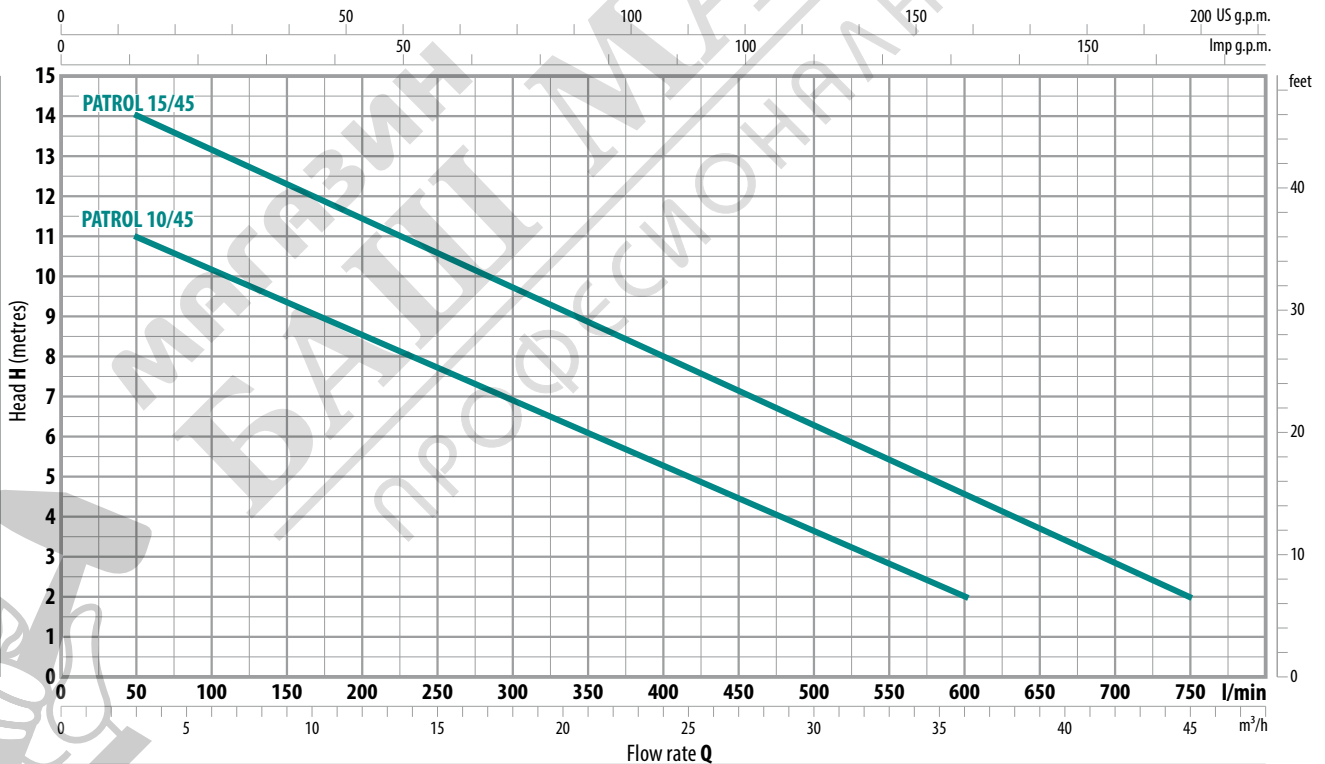
EN 60335-1
IEC 60335-1
CEI 61-150

EN 60034-1
IEC 60034-1
CEI 2-3



CHARACTERISTIC CURVES AND PERFORMANCE DATA

50 Hz | n=2900 min⁻¹



MODEL		POWER (P ₂)		Q	Flow rate Q									
Single-phase	Three-phase	kW	HP		m ³ /h	0	3	6	12	18	24	30	36	42
PATROL 10/45M	PATROL 10/45	0.75	1	H metres	0	50	100	200	300	400	500	600	700	750
PATROL 15/45M	PATROL 15/45	1.1	1.5		12	11	10	8.5	7	5	3.5	2		
					15	14	13	11.5	9.7	8	6.3	4.5	3	2

Q = Flow rate
H = Total manometric head

Tolerance of characteristic curves in compliance with EN ISO 9906 Grade 3B.

INSTALLATION AND USE

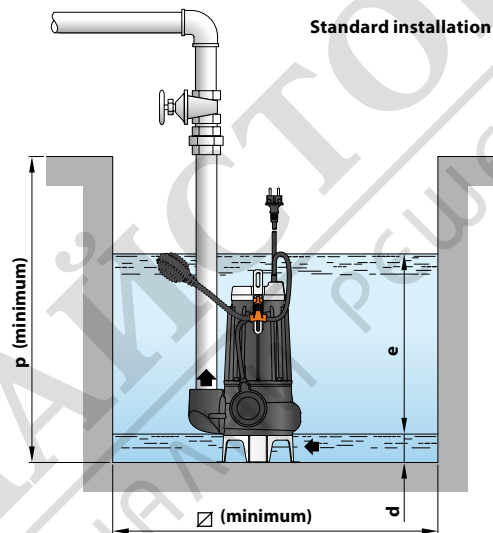
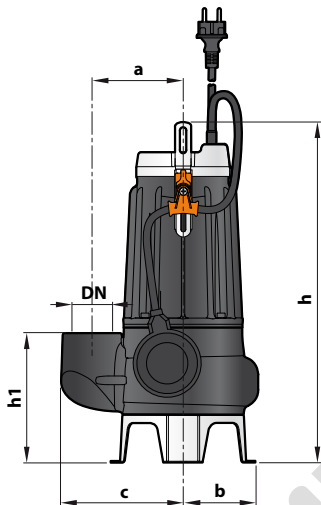
PATROL series pumps, made from heavy gauge cast iron offering exceptional sturdiness, abrasion resistance and durability, come equipped with a DOUBLE-CHANNEL impeller and are capable of pumping liquids containing short fibred suspended solids up to Ø 50 mm.

Recommended for conveying drained water and sewage, waste water, water mixed with mud, groundwater and surface water for applications in blocks of flats, industries, multi-storey and underground car parks, wash areas, etc.

CONSTRUCTION CHARACTERISTICS

PUMP BODY	Cast iron with an Epoxy Electro Coating treatment, with threaded port in compliance with ISO 228/1
IMPELLER	Precision cast stainless steel AISI 304 DOUBLE-CHANNEL type
MOTOR SHAFT	Stainless steel AISI 431
SHAFT WITH DOUBLE MECHANICAL SEAL SEPARATED BY AN OIL CHAMBER	Motor side: Silicon carbide - Graphite - NBR Pump side: Silicon carbide - Silicon carbide - NBR
POWER CABLE	H07 RN-F type 10 m long power cable (with Schuko plug for single-phase versions only)

DIMENSIONS AND WEIGHT



MODEL		PORT DN	Passage of solids	DIMENSIONS mm										kg		
Single-phase	Three-phase			a	b	c	h	h1	d	e	p	Ø	1~	3~		
PATROL 10/45M	PATROL 10/45	2"	Ø 50 mm	115	95	155	413	164	60	variable	500	500			19.0	17.9
PATROL 15/45M	PATROL 15/45						428								20.2	19.2

ABSORPTION

MODEL	VOLTAGE			
	Single-phase	230 V	240 V	110 V
PATROL 10/45M	5.0 A	4.8 A	10.0 A	
PATROL 15/45M	8.2 A	7.9 A	-	

MODEL	VOLTAGE				
	Three-phase	230 V	400 V	240 V	415 V
PATROL 10/45	3.7 A	2.1 A	3.5 A	2.0 A	
PATROL 15/45	5.6 A	3.2 A	5.4 A	3.1 A	

PALLETIZATION

MODEL		GROUPAGE n. pumps	CONTAINER n. pumps
Single-phase	Three-phase		
PATROL 10/45M	PATROL 10/45	54	72
PATROL 15/45M	PATROL 15/45	54	72