

PATROL

SUBMERSIBLE PUMPS



DOUBLE-CHANNEL

-  Filthy water
-  Domestic use
-  Civil use



PERFORMANCE RANGE

- Flow rate up to **750 l/min** (45 m³/h)
- Head up to **15 m**

APPLICATION LIMITS

- **10 m** maximum immersion depth (with a sufficiently long power cable)
- Maximum liquid temperature **+40 °C**
- Passage of suspended solids up to **Ø 50 mm**
- Minimum immersion depth for continuous service: **300 mm**

CONSTRUCTION AND SAFETY STANDARDS

- Power cable
- Float switch for single-phase versions

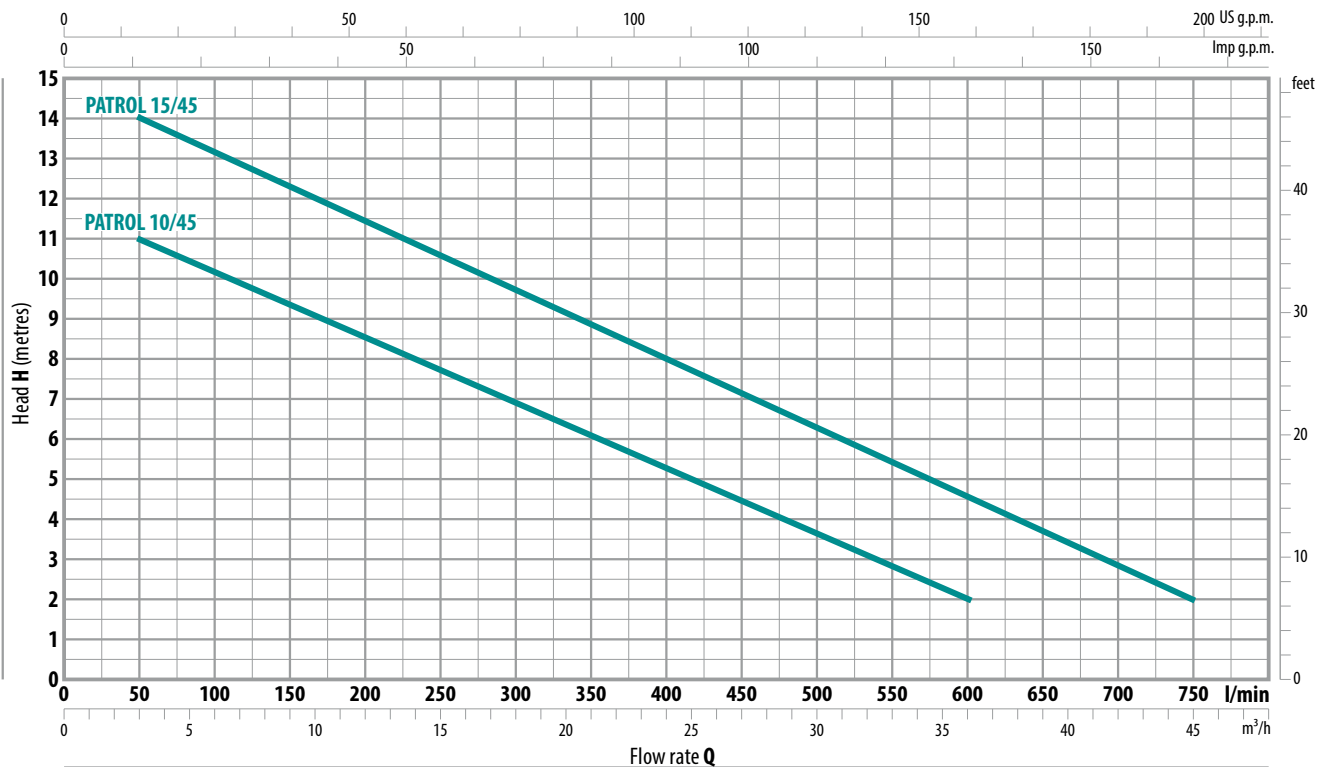
EN 60335-1
IEC 60335-1
CEI 61-150

EN 60034-1
IEC 60034-1
CEI 2-3



CHARACTERISTIC CURVES AND PERFORMANCE DATA

50 Hz | n= 2900 min⁻¹



| MODEL | | POWER (P ₂) | | Q | Flow rate | | | | | | | | | | | | |
|---------------|--------------|-------------------------|-----|----------|-------------------|----|-----|------|-----|-----|-----|-----|-----|-----|----|--|--|
| Single-phase | Three-phase | kW | HP | | m ³ /h | 0 | 3 | 6 | 12 | 18 | 24 | 30 | 36 | 42 | 45 | | |
| | | | | l/min | 0 | 50 | 100 | 200 | 300 | 400 | 500 | 600 | 700 | 750 | | | |
| PATROL 10/45M | PATROL 10/45 | 0.75 | 1 | H metres | 12 | 11 | 10 | 8.5 | 7 | 5 | 3.5 | 2 | | | | | |
| PATROL 15/45M | PATROL 15/45 | 1.1 | 1.5 | H metres | 15 | 14 | 13 | 11.5 | 9.7 | 8 | 6.3 | 4.5 | 3 | 2 | | | |

Q = Flow rate
H = Total manometric head

Tolerance of characteristic curves in compliance with EN ISO 9906 Grade 3B.

INSTALLATION AND USE

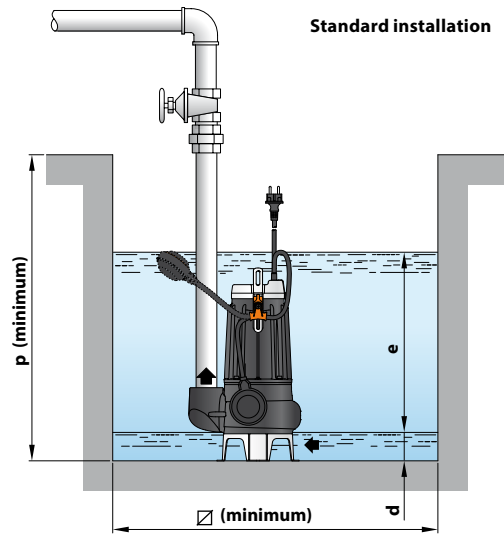
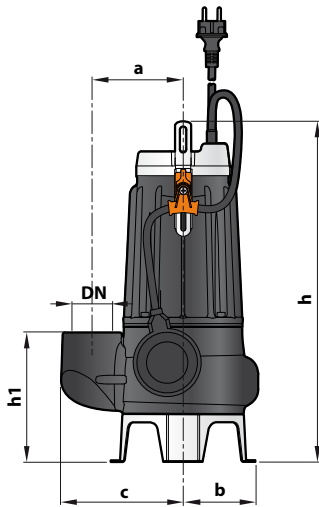
PATROL series pumps, made from heavy gauge cast iron offering exceptional sturdiness, abrasion resistance and durability, come equipped with a DOUBLE-CHANNEL impeller and are capable of pumping liquids containing short fibred suspended solids up to Ø 50 mm.

Recommended for conveying drained water and sewage, waste water, water mixed with mud, groundwater and surface water for applications in blocks of flats, industries, multi-storey and underground car parks, wash areas, etc.

CONSTRUCTION CHARACTERISTICS

| | |
|--|--|
| PUMP BODY | Cast iron with an Epoxy Electro Coating treatment, with threaded port in compliance with ISO 228/1 |
| IMPELLER | Precision cast stainless steel AISI 304 DOUBLE-CHANNEL type |
| MOTOR SHAFT | Stainless steel AISI 431 |
| SHAFT WITH DOUBLE MECHANICAL SEAL SEPARATED BY AN OIL CHAMBER | Motor side: Silicon carbide - Graphite - NBR Pump side: Silicon carbide - Silicon carbide - NBR |
| POWER CABLE | H07 RN-F type 10 m long power cable (with Schuko plug for single-phase versions only) |

DIMENSIONS AND WEIGHT



| MODEL | | PORT DN | Passage of solids | DIMENSIONS mm | | | | | | | | | | kg | |
|---------------|--------------|---------|-------------------|---------------|----|-----|-----|-----|----|----------|-----|-----|------|------|--|
| Single-phase | Three-phase | | | a | b | c | h | h1 | d | e | p | Ø | 1~ | 3~ | |
| PATROL 10/45M | PATROL 10/45 | 2" | Ø 50 mm | 115 | 95 | 155 | 413 | 164 | 60 | variable | 500 | 500 | 19.0 | 17.9 | |
| PATROL 15/45M | PATROL 15/45 | | | | | | 428 | | | | | | 20.2 | 19.2 | |

ABSORPTION

| MODEL | VOLTAGE | | |
|---------------|--------------|-------|--------|
| | Single-phase | 230 V | 240 V |
| PATROL 10/45M | 5.0 A | 4.8 A | 10.0 A |
| PATROL 15/45M | 8.2 A | 7.9 A | - |

| MODEL | VOLTAGE | | | |
|--------------|-------------|-------|-------|-------|
| | Three-phase | 230 V | 400 V | 240 V |
| PATROL 10/45 | 3.7 A | 2.1 A | 3.5 A | 2.0 A |
| PATROL 15/45 | 5.6 A | 3.2 A | 5.4 A | 3.1 A |

PALLETIZATION

| MODEL | | GROUPAGE n. pumps | CONTAINER n. pumps |
|---------------|--------------|----------------------|-----------------------|
| Single-phase | Three-phase | | |
| PATROL 10/45M | PATROL 10/45 | 54 | 72 |
| PATROL 15/45M | PATROL 15/45 | 54 | 72 |