

Clear water

Domestic use

Civil use



PERFORMANCE RANGE

- Flow rate up to **220 l/min** (13.2 m³/h)
- Head up to **12 m**

APPLICATION LIMITS

- **10 m** maximum immersion depth (with a sufficiently long power cable)
- Maximum liquid temperature **+50 °C** (Maximum liquid temperature **+90 °C** for a maximum of 3 minutes intermittent service)
- Passage of suspended solids up to **Ø 10 mm**
- Suction level **14 mm** above ground level
- Continuous service **S1**

CONSTRUCTION AND SAFETY STANDARDS

The pumps are complete with:

- power cable
- float switch for single-phase versions

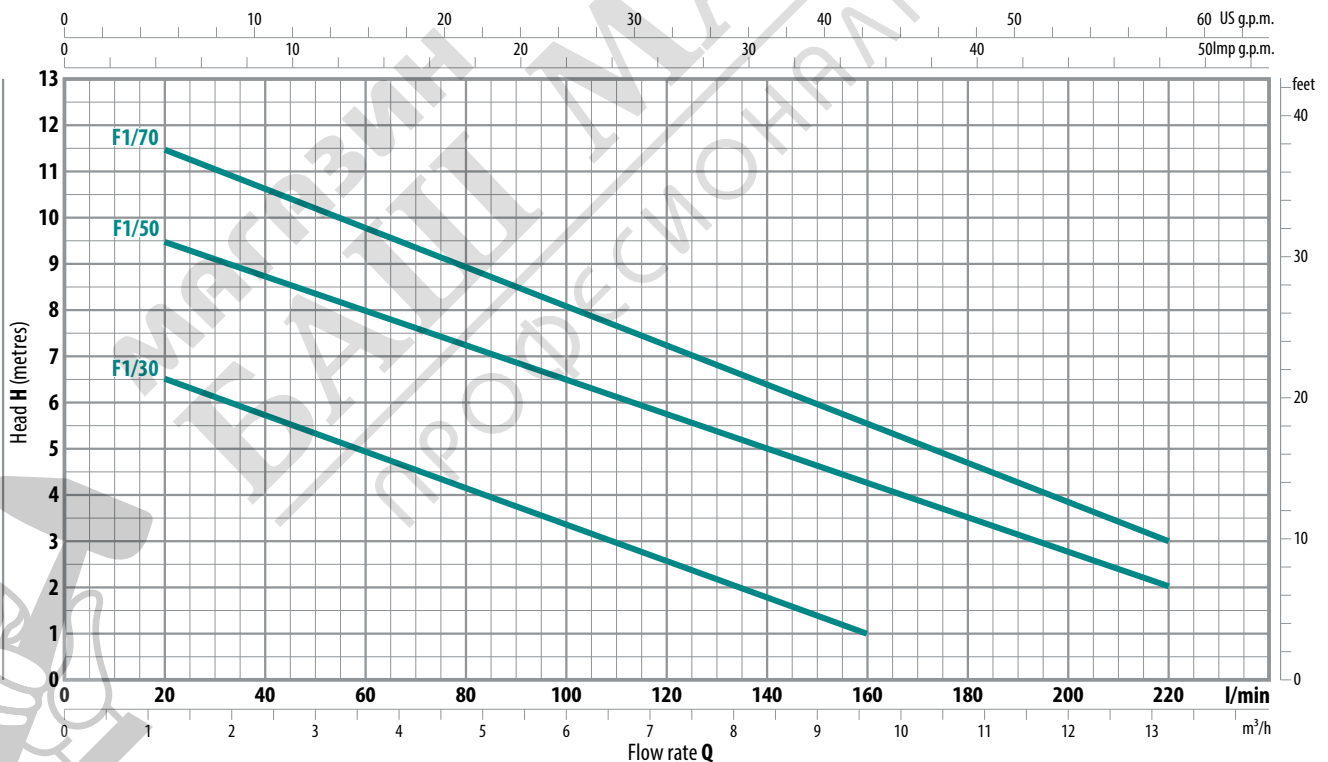
EN 60335-1
IEC 60335-1
CEI 61-150

EN 60034-1
IEC 60034-1
CEI 2-3



CHARACTERISTIC CURVES AND PERFORMANCE DATA

50 Hz | n= 2900 min⁻¹



MODEL		POWER (P ₂)		Q	Flow rate								
Single-phase	Three-phase	kW	HP		m ³ /h	0	1.2	3.6	6.0	8.4	9.6	12.0	13.2
				l/min	0	20	60	100	140	160	200	220	
F1/30M	F1/30	0.25	0.33	H metres	7.5	6.5	5	3.5	2	1			
F1/50M	F1/50	0.37	0.50		10	9.5	8	6.5	5	4.5	2.5	2	
F1/70M	F1/70	0.55	0.75		12	11.5	9.5	8	6.5	5.5	3.5	3	

Q = Flow rate
H = Total manometric head

Tolerance of characteristic curves in compliance with EN ISO 9906 Grade 3B.

INSTALLATION AND USE

The F1 series pumps are suitable for use with clear water that does not contain abrasive particles.

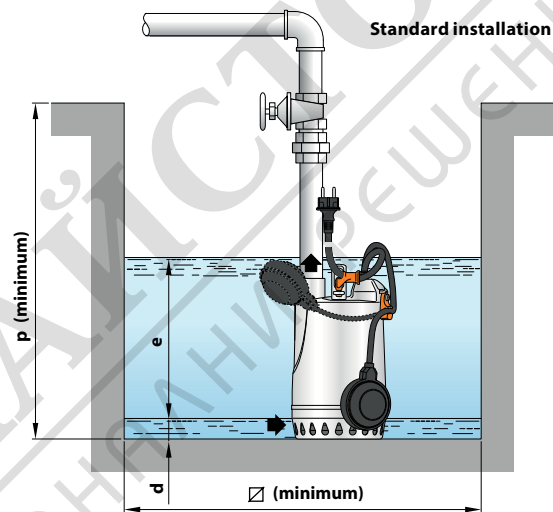
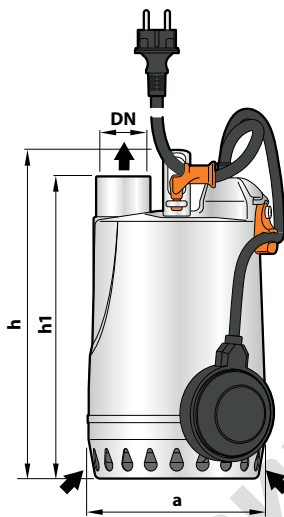
Because of the design solutions that have been adopted, such as the complete cooling of the motor and the shaft with double seal, these pumps are easy to use and reliable.

They are suitable for use in fixed installations and applications such as draining small flooded areas (rooms, cellars, garages) in the event of an emergency, for the disposal of waste water in the home (from dishwashers, washing machines) and for emptying drainage traps.

CONSTRUCTION CHARACTERISTICS

PUMP BODY	Stainless steel AISI 304 with threaded port in compliance with ISO 228/1
IMPELLER	Stainless steel AISI 304
MOTOR SHAFT	Stainless steel EN 10088-3 - 1.4104
SHAFT WITH DOUBLE SEAL AND OIL CHAMBER	Ceramic - Graphite - NBR
POWER CABLE	H07 RN-F type 5 m long power cable (with Schuko plug for single-phase versions only)

DIMENSIONS AND WEIGHT



MODEL		PORT	DIMENSIONS mm							kg	
Single-phase	Three-phase	DN	a	h	h1	d	e	p	Ø	1~	3~
F1/30M	F1/30	1¼"	147	255	247	14	variable	350	350	5.8	5.5
F1/50M	F1/50			285	277					5.8	5.5
F1/70M	F1/70			7.2	7.2						

ABSORPTION

MODEL	VOLTAGE		
Single-phase	230 V	240 V	110 V
F1/30M	1.5 A	1.4 A	3.0 A
F1/50M	2.0 A	1.9 A	5.3 A
F1/70M	3.6 A	3.5 A	7.5 A

MODEL	VOLTAGE			
Three-phase	230 V	400 V	240 V	415 V
F1/30	1.6 A	0.9 A	1.5 A	0.85 A
F1/50	1.8 A	1.0 A	1.7 A	0.95 A
F1/70	2.8 A	1.6 A	2.7 A	1.55 A

PALLETIZATION

MODEL		GROUPAGE	CONTAINER
Single-phase	Three-phase	n. pumps	n. pumps
F1/30M	F1/30	96	144
F1/50M	F1/50	96	144
F1/70M	F1/70	96	144