

Clean water

Domestic use

Civil use

PERFORMANCE RANGE

- Flow rate up to **130 l/min** (7.8 m³/h)
- Head up to **52 m**

APPLICATION LIMITS

- Manometric suction lift up to **7 m**
- Liquid temperature between **-10 °C** and **+40 °C**
- Ambient temperature up to **+40 °C**
- Max. working pressure **7 bar**
- Continuous service **S1**

CONSTRUCTION AND SAFETY STANDARDS

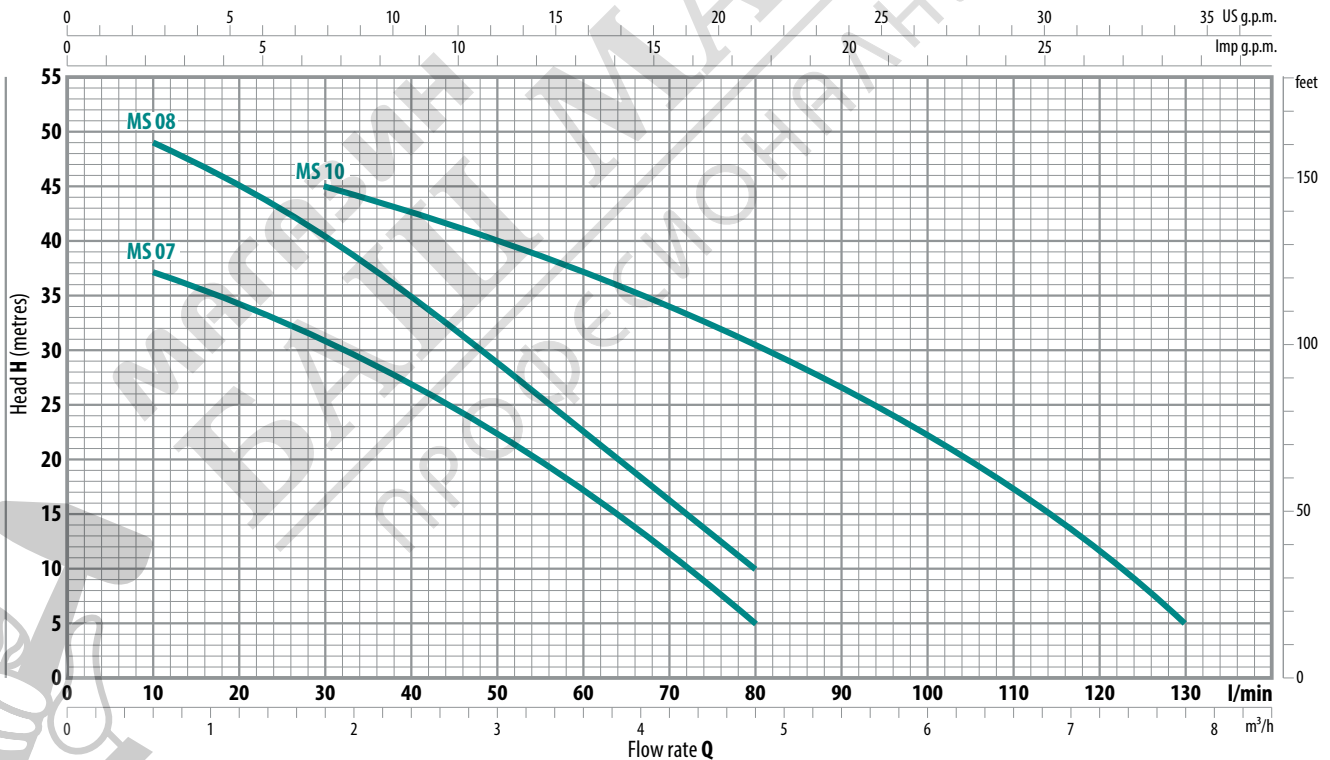
EN 60335-1
IEC 60335-1
CEI 61-150

EN 60034-1
IEC 60034-1
CEI 2-3



CHARACTERISTIC CURVES AND PERFORMANCE DATA

50 Hz | n=2900 min⁻¹ | HS=0 m



MODEL		POWER (P ₂)		Q	Flow rate																		
Single-phase	Three-phase	kW	HP		m ³ /h	0	0.3	0.6	0.9	1.2	1.5	1.8	2.4	3.0	3.6	4.2	4.8	5.4	6.0	7.2	7.8		
				l/min	0	5	10	15	20	25	30	40	50	60	70	80	90	100	120	130			
MS 07M	MS 07	0.45	0.60	H metres	40	38	37	36	34.5	33	31	27	22.5	17	11	5							
MS 08M	MS 08	0.55	0.75		52	50	49	47	44.5	42	40	34	28.5	22.5	16	10							
MS 10M	MS 10	0.75	1		50	50	49	48	47	46	45	42	39.5	37	34	30.5	26.5	22	11	5			

Q = Flow rate
H = Total manometric head
HS = Suction height

Tolerance of characteristic curves in compliance with EN ISO 9906 Grade 3B.

INSTALLATION AND USE

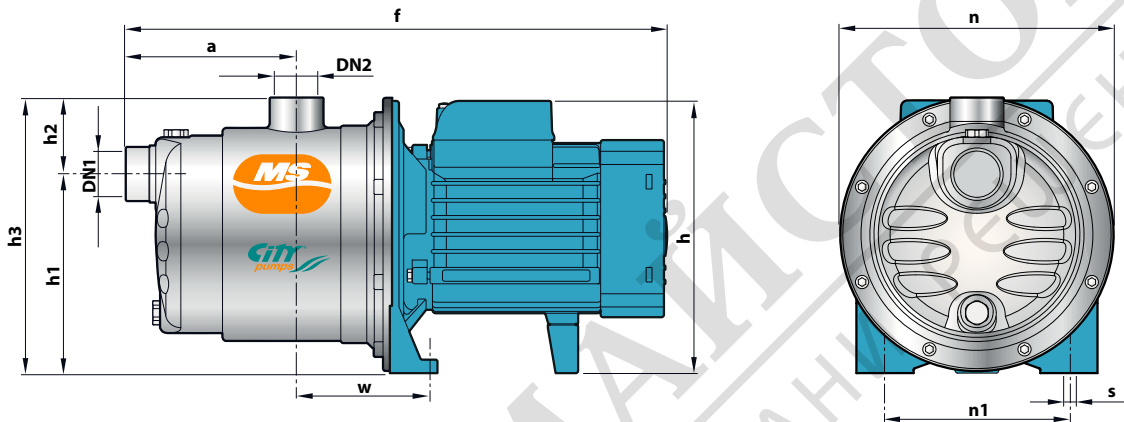
Suitable for use with clean water and with liquids that are not chemically aggressive towards the materials from which the pump is made. As a result of their quietness these pumps are widely used in domestic applications such as the distribution of water in combination with small and medium sized pressure tanks, and for the irrigation of gardens and orchards, etc.

The pump should be installed in an enclosed environment or sheltered from inclement weather.

CONSTRUCTION CHARACTERISTICS

PUMP BODY	Stainless steel AISI 304 complete with threaded ports in compliance with ISO 228/1
IMPELLERS	Noryl FE1520PW
MOTOR SHAFT	Stainless steel EN 10088-3 - 1.4104
MECHANICAL SEAL	Ceramic - Graphite - NBR
ELECTRIC MOTOR	The three-phase pumps are fitted with high performance motors up to P2=0.55kW in class IE2 and from P2=0.75kW in class IE3 (IEC 60034-30)

DIMENSIONS AND WEIGHT



MODEL		PORTS		DIMENSIONS mm										kg	
Single-phase	Three-phase	DN1	DN2	a	f	h	h1	h2	h3	n	n1	w	s	1~	3~
MS 07M	MS 07			113	361	182								7.3	7.3
MS 08M	MS 08	1"	1"	138	386	182	132	51	183	182	120	87	9	8.3	7.7
MS 010M	MS 10			138	411	202*							10	10.5	10.6

(*) h=221 mm for single phase versions at 110V

ABSORPTION

MODEL	VOLTAGE		
	230 V	240 V	110 V
Single-phase			
MS 07M	3.3 A	3.1 A	6.6 A
MS 08M	4.1 A	4.0 A	8.2 A
MS 10M	6.0 A	5.8 A	12.0 A

MODEL	VOLTAGE					
	230 V	400 V	690 V	240 V	415 V	720 V
Three-phase						
MS 07	2.5 A	1.5 A	0.9 A	2.4 A	1.4 A	0.8 A
MS 08	3.4 A	2.0 A	1.2 A	3.3 A	1.9 A	1.1 A
MS 10	4.5 A	2.6 A	1.5 A	4.3 A	2.5 A	1.4 A

PALLETIZATION

MODEL		GROUPAGE	CONTAINER
Single-phase	Three-phase	n. pumps	n. pumps
MS 07M	MS 07	84	108
MS 08M	MS 08	72	108
MS 10M	MS 10	72	108