

Clean water

Domestic use

Civil use



### PERFORMANCE RANGE

- Flow rate up to **120 l/min** (7.2 m<sup>3</sup>/h)
- Head up to **41 m**

### APPLICATION LIMITS

- Manometric suction lift up to **7 m**
- Liquid temperature between **-10 °C** and **+90 °C**
- Ambient temperature up to **+40 °C**
- Max. working pressure:
  - **6 bar** for IC 50, IC 100H
  - **10 bar** for IC 150
- Continuous service **S1**

### CONSTRUCTION AND SAFETY STANDARDS

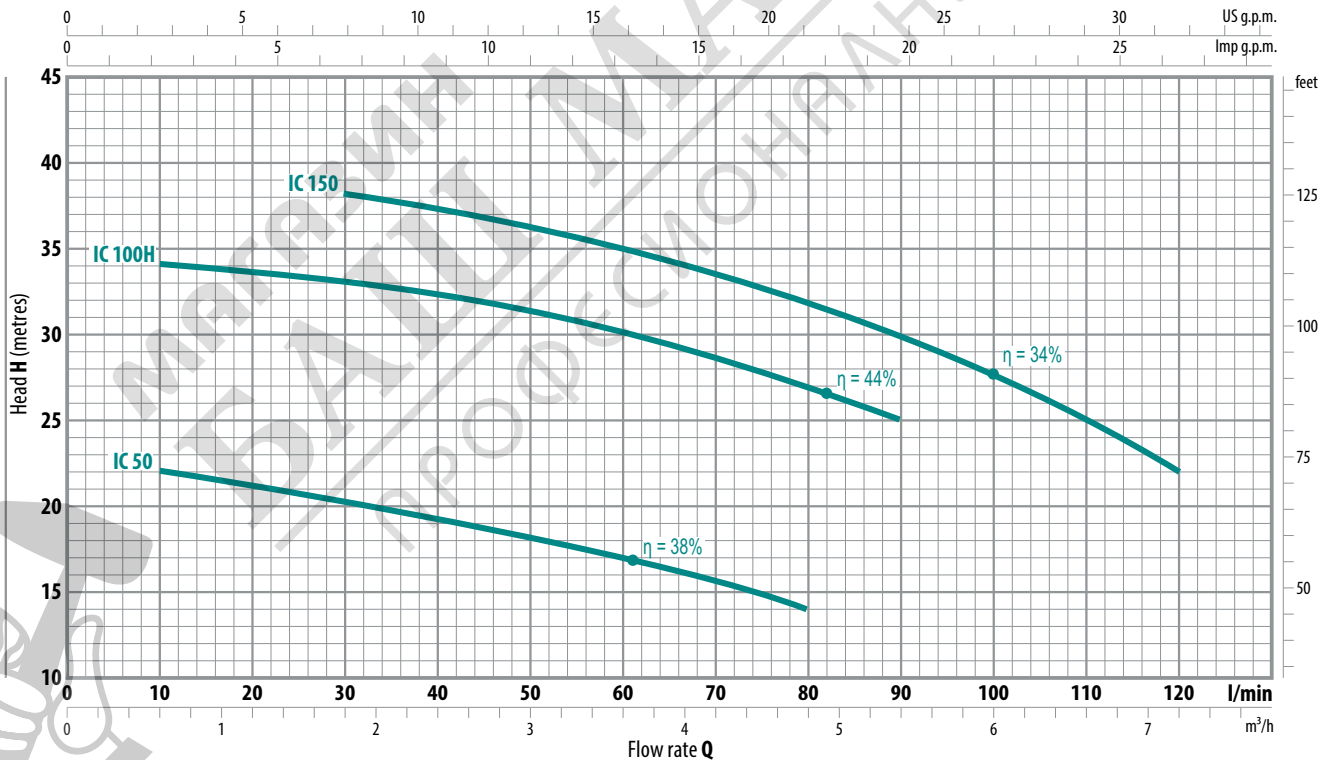
EN 60335-1  
IEC 60335-1  
CEI 61-150

EN 60034-1  
IEC 60034-1  
CEI 2-3



### CHARACTERISTIC CURVES AND PERFORMANCE DATA

50 Hz | n = 2900 min<sup>-1</sup> | HS = 0 m



MODEL		POWER (P <sub>2</sub> )		Q	Flow rate													
Single-phase	Three-phase	kW	HP		0	0.6	1.2	1.8	2.4	3.0	3.6	4.2	4.8	5.4	6.0	6.6	7.2	
				l/min	0	10	20	30	40	50	60	70	80	90	100	110	120	
IC 50M	IC 50	0.37	0.50	H metres	23	22	21	20	19	18	17	15.5	14					
IC 100MH	IC 100H	0.75	1		36	34	33.5	33	32.5	31.5	30	28.5	27	25				
IC 150M	IC 150	1.1	1.5		41	-	-	38	37	36	35	33.5	32	30	27.5	25	22	

Q = Flow rate  
H = Total manometric head  
HS = Suction height

Tolerance of characteristic curves in compliance with EN ISO 9906 Grade 3B.

## INSTALLATION AND USE

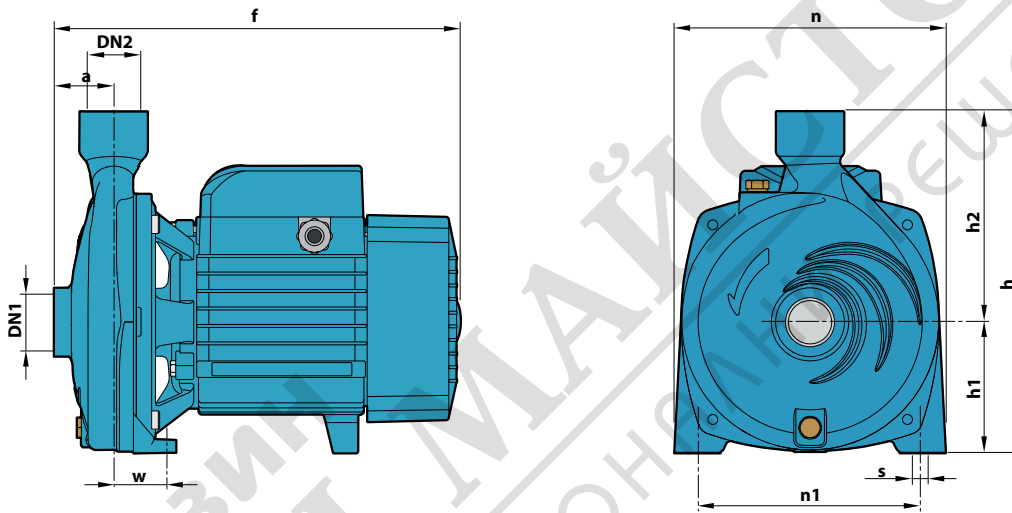
Suitable for use with clean water and with liquids that are not chemically aggressive towards the materials from which the pump is made. Because they are reliable and easy to use these pumps are widely used in domestic and civil applications such as the distribution of water in combination with small and medium sized pressure tanks, for transferring liquids and for the irrigation of gardens and orchards.

The pump should be installed in an enclosed environment or sheltered from inclement weather.

## CONSTRUCTION CHARACTERISTICS

<b>PUMP BODY</b>	Cast iron with an Epoxy Electro Coating treatment, with threaded ports in compliance with ISO 228/1
<b>IMPELLER</b>	Stainless steel AISI 304
<b>MOTOR SHAFT</b>	Stainless steel EN 10088-3 - 1.4104
<b>MECHANICAL SEAL</b>	<b>IC50, IC100H:</b> Ceramic - Graphite - NBR  <b>IC150:</b> Graphite - Ceramic - NBR
<b>ELECTRIC MOTOR</b>	The three-phase pumps are fitted with high performance motors up to P2=0.37kW in class IE2 and from P2=0.75kW in class IE3 (IEC 60034-30)

## DIMENSIONS AND WEIGHT



MODEL		PORTS		DIMENSIONS mm									kg	
Single-phase	Three-phase	DN1	DN2	a	f	h	h1	h2	n	n1	w	s	1~	3~
IC 50M	IC 50	1"	1"	42	253	205	82	123	165	135	41	10	7.8	7.3
IC 100MH	IC 100H				285	240	92	148	190	160	38		12.0	11.0
IC 150M	IC 150	1 1/4"	1"	51	367	260	110	150	206	165	44.5	11	17.8	17.2

## ABSORPTION

MODEL	VOLTAGE		
Single-phase	230 V	240 V	110 V
IC 50M	3.2 A	2.9 A	6.4 A
IC 100MH	6.0 A	5.8 A	12.0 A
IC 150M	7.8 A	7.2 A	16.0 A

MODEL	VOLTAGE			
Three-phase	230 V	400 V	240 V	415 V
IC 50	2.0 A	1.2 A	1.8 A	1.1 A
IC 100H	4.4 A	2.5 A	4.3 A	2.4 A
IC 150	5.2 A	3.0 A	5.1 A	2.9 A

## PALLETIZATION

MODEL		GROUPAGE	CONTAINER
Single-phase	Three-phase	n. pumps	n. pumps
IC 50M	IC 50	90	162
IC 100MH	IC 100H	70	112
IC 150M	IC 150	50	70