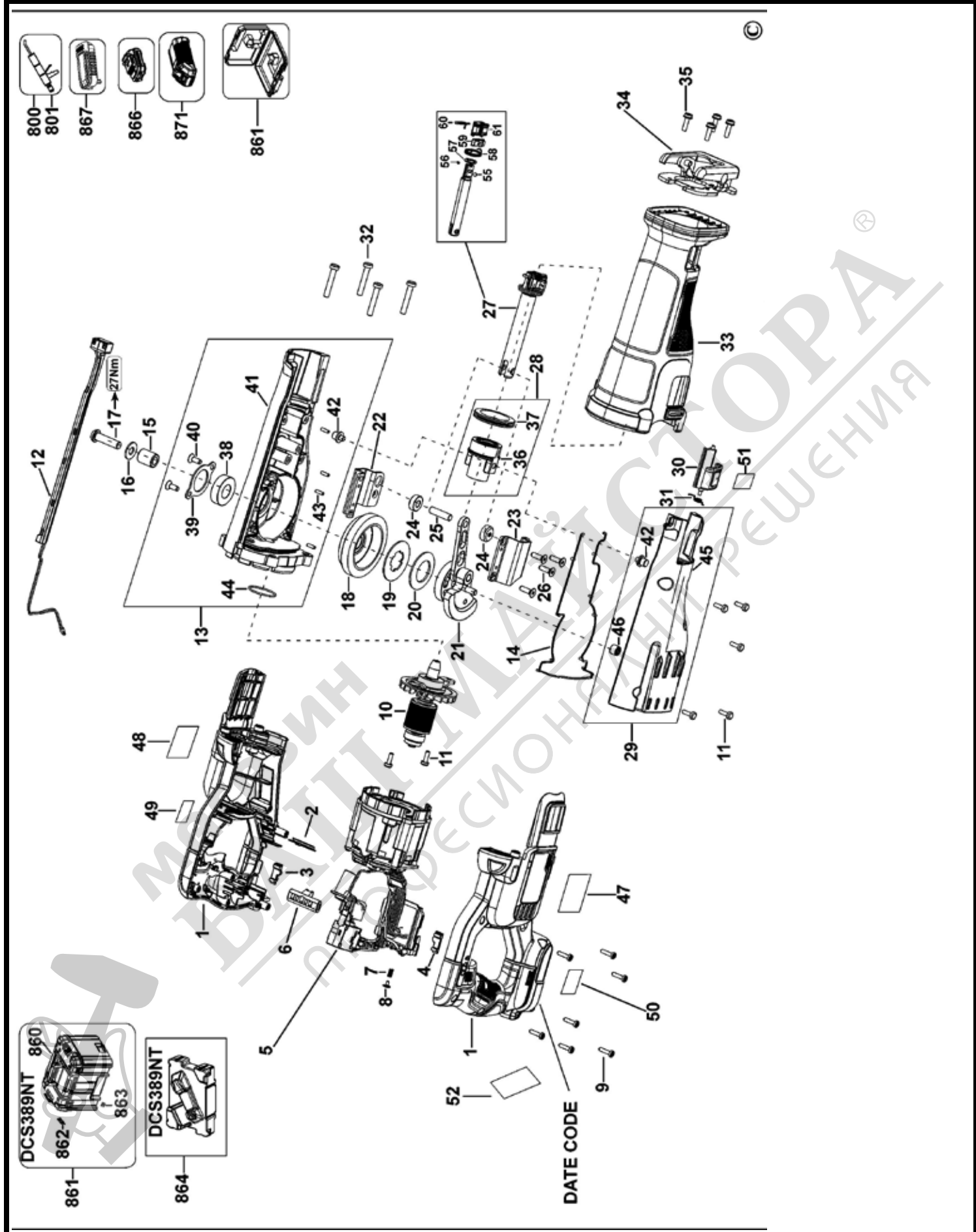


DCS389 CORDLESS RECIPROCATING SAW 1



Parts List DCS389 CORDLESS RECIPROCATING SAW 1

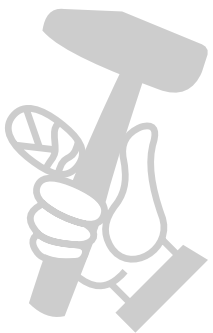
| Item | Part Number | Qty | Part Description | General Description | Other Info | Repair Inst | Markets |
|------|-------------|-----|-------------------|---------------------|------------|-------------|---------|
| 1 | N456253 | 1 | CLAMSHELL SET | | | No | QW |
| 2 | N466021 | 1 | PLATE | | | No | QW |
| 3 | N728012 | 1 | INSERT | | | No | QW |
| 4 | N728013 | 1 | INSERT | | | No | QW |
| 5 | N776393 | 1 | MOTOR & SWITCH SA | | | No | QW |
| 6 | N425240 | 1 | BUTTON LOCK-OFF | | | No | QW |
| 7 | N461735 | 1 | SPRING | | | No | QW |
| 8 | N122099 | 1 | BLOCK | | | No | QW |
| 9 | 330019-03 | 7 | SCREW | | | No | QW |
| 10 | N548542 | 1 | ROTOR SA | | | No | QW |
| 11 | 330045-45 | 7 | SCREW | | | No | QW |
| 12 | N469234 | 1 | LED LIGHT | | | No | QW |
| 13 | N463923 | 1 | GEARCASE SA | | | No | QW |
| 14 | N451939 | 1 | GASKET | | | No | QW |
| 15 | N410605 | 1 | BEARING | | | No | QW |
| 16 | N431139 | 1 | WASHER | | | No | QW |
| 17 | N410607 | 1 | SCREW | | | No | QW |
| 18 | N463922 | 1 | GEAR | | | No | QW |
| 19 | N410604 | 1 | WASHER SPECIAL | | | No | QW |
| 20 | N410595 | 1 | WASHER | | | No | QW |
| 21 | N463918 | 1 | CRANKSHAFT | | | No | QW |
| 22 | N451098 | 1 | GUIDE | | | No | QW |
| 23 | N451099 | 1 | GUIDE | | | No | QW |
| 24 | N410597 | 2 | ROLLER | | | No | QW |
| 25 | N422091 | 1 | PIN | | | No | QW |
| 26 | N465031 | 4 | SCREW | | | No | QW |
| 27 | N463921 | 1 | SHAFT SA | | | No | QW |
| 28 | N469236 | 1 | BUSHING | | | No | QW |
| 29 | N463925 | 1 | GEARCASE COVER SA | | | No | QW |
| 30 | N450135 | 1 | LEVER RELEASE | | | No | QW |
| 31 | N455745 | 1 | SPRING | | | No | QW |
| 32 | 330019-21 | 4 | SCREW.TEMP | | | No | QW |

Parts List DCS389 CORDLESS RECIPROCATING SAW 1

| Item | Part Number | Qty | Part Description | General Description | Other Info | Repair Inst | Markets |
|------|-------------|-----|------------------|----------------------|------------|-------------|---------|
| 33 | N422455 | 1 | RUBBER BOOT | | | No | QW |
| 34 | N436884 | 1 | SHOE SA | | | No | QW |
| 35 | 142940-00 | 4 | SCREW | | | No | QW |
| 36 | N475464 | 1 | BUSHING | | | No | QW |
| 37 | N410601 | 1 | SEAL | | | No | QW |
| 38 | 605040-25 | 1 | BEARING,BALL | | | No | QW |
| 39 | N424451 | 1 | BEARING HOLDER | | | No | QW |
| 40 | N482531 | 1 | SCREW | | | No | QW |
| 41 | N437012 | 1 | GEARCASE | | | No | QW |
| 42 | N421926 | 2 | PIN | | | No | QW |
| 43 | 330041-04 | 4 | PIN | | | No | QW |
| 44 | N100358 | 1 | O RING | | | No | QW |
| 45 | N437380 | 1 | GEARCASE COVER | | | No | QW |
| 46 | 330004-20 | 1 | BEARING NEEDLE | | | No | QW |
| 47 | N842620 | 1 | RATING PLATE | | | No | QW |
| 48 | N867331 | 1 | LABEL | | | No | QW |
| 49 | N867329 | 1 | LABEL | | | No | QW |
| 50 | N867330 | 1 | LABEL | | | No | QW |
| 51 | N468143 | 1 | LABEL | | | No | QW |
| 52 | N844688 | 1 | LABEL | | | No | QW |
| 55 | 000903-00 | 1 | BALL | | | No | QW |
| 56 | 386786-00 | 1 | PIN | | | No | QW |
| 57 | N473286 | 1 | WASHER SPECIAL | | | No | QW |
| 58 | 623343-00 | 1 | SPRING | | | No | QW |
| 59 | N133647 | 1 | SLIDER | | | No | QW |
| 60 | 620663-00 | 1 | LOCK PIN | | | No | QW |
| 61 | 604731-00 | 1 | BLADE CLAMP | | | No | QW |
| 800 | 583534-00 | 1 | GREASE | 50 GRAMS - NYE RHEOL | | No | QW |
| 801 | 487130-04 | 1 | GREASE 10 GMS | | | No | QW |
| 860 | H1400196008 | 1 | HANDLE | | DCS389NT | No | QW |
| 861 | N443156 | 1 | KITBOX | | | No | QW |
| 861 | N445186 | 1 | KITBOX | | DCS389NT | No | QW |

Parts List DCS389 CORDLESS RECIPROCATING SAW 1

| Item | Part Number | Qty | Part Description | General Description | Other Info | Repair Inst | Markets |
|------|-------------|-----|----------------------------|---------------------|------------|-------------|---------|
| 862 | N409477 | 1 | LATCH | | | No | QW |
| 863 | P910190 | 2 | LATCH | | DCS389NT | No | QW |
| 864 | N528735 | 1 | TRAY | | | No | QW |
| 866 | N473851 | 1 | BATTERY 3 X18V-6.0AH-108WH | | DCS389T2 | No | QW |
| 866 | N491552 | 1 | BATTERY 3 X18V-9.0AH-162WH | | DCS389X2 | No | QW |
| 867 | N462141 | 1 | SAFETY CAP | | | No | QW |
| 871 | N473860 | 1 | CHARGER QW | | DCS389T2 | No | QW |



МАГАЗИН
БАШ МАЙСТОРА[®]
 ПРОФЕСИОНАЛНИ РЕШЕНИЯ