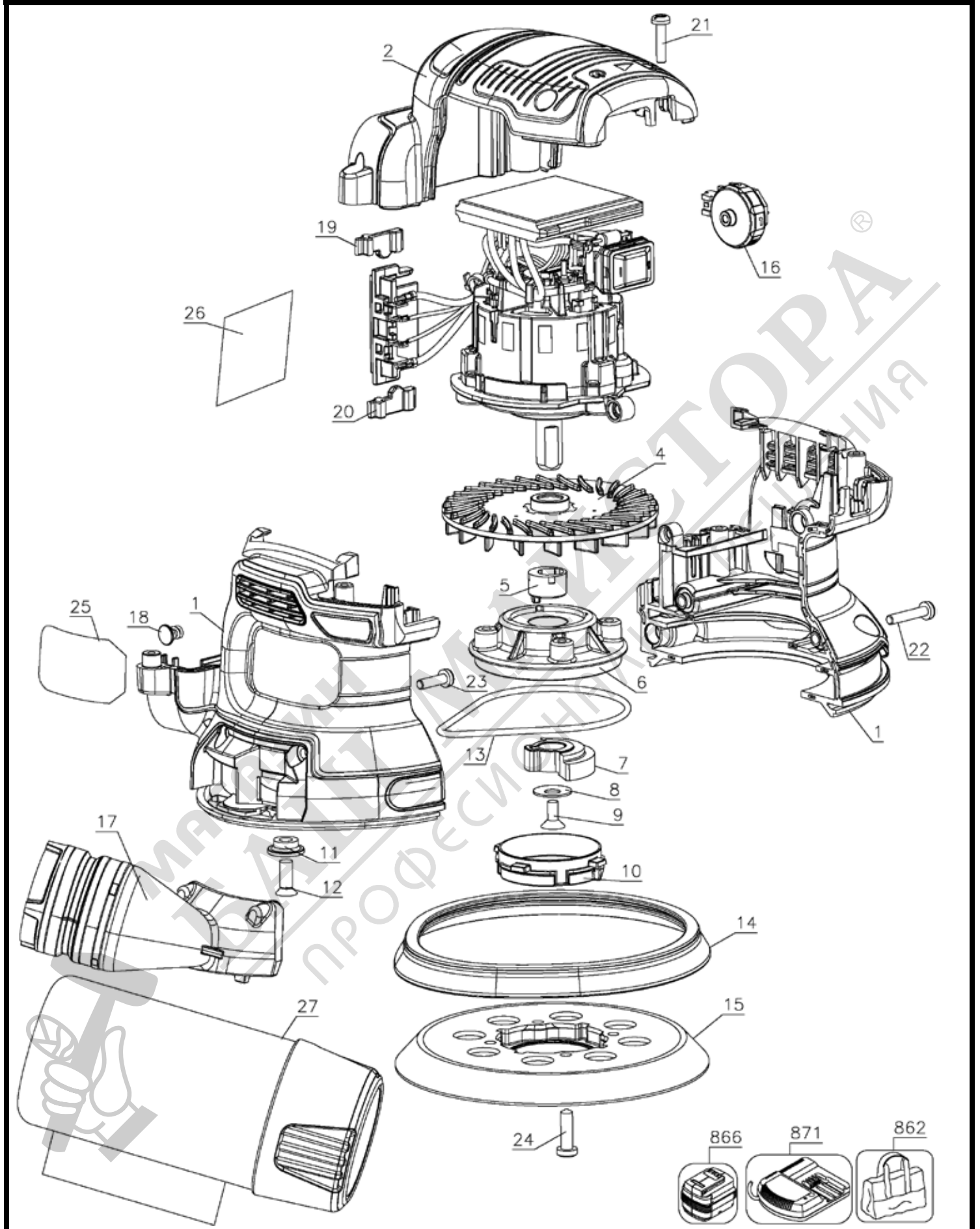


DCW210N Exploded Artwork 18v XR BL SANDER BARE FOR 1



Parts List DCW210N 18v XR BL SANDER BARE FOR 1

Item	Part Number	Qty	Part Description	General Description	Other Info	Repair Inst	Markets
1	N688078	1	CLAMSHELL SET			No	XJ
2	N598780	1	COVER-TOP			No	XJ
3	N640887	1	MOTOR & SWITCH SA			No	XJ
4	N541864	1	FAN			No	XJ
5	N395442	1	ECCENTRIC			No	XJ
6	N329082	1	BEARING HOUSING			No	XJ
7	N399756	1	COUNTERWEIGHT			No	XJ
8	N345099	1	WASHER			Yes	XJ
9	098012-11	1	SCREW			Yes	XJ
10	N329083	1	END CAP			No	XJ
11	N544253	1	PULLEY			No	XJ
12	N403401	1	SCREW			Yes	XJ
13	N430442	1	BELT			No	XJ
14	N371139	1	SKIRT			No	XJ
15	N329079	1	PAD SA			No	XJ
16	N581601	1	SPEED REGULATOR			No	XJ
17	N680920	1	DUST PORT			No	XJ
18	N453948	1	SPRING			No	XJ
19	N239159	1	BUMPER			No	XJ
20	N239160	1	BUMPER			No	XJ
21	330019-03	6	SCREW			Yes	XJ
22	330019-04	6	SCREW			Yes	XJ
23	330019-13	4	SCREW			No	XJ
24	N685865	1	RATING PLATE			No	XJ
25	N636564	1	LABEL			No	XJ
26	N273733	1	DUST BAG SA			No	XJ