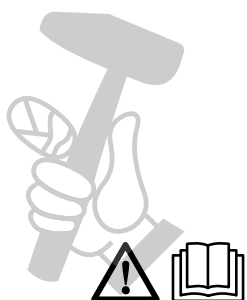


DEWALT®

**XR FLEX
VOLT™
LI-ION**



WWW.DEWALT.COM

DCV586M

Fig. A

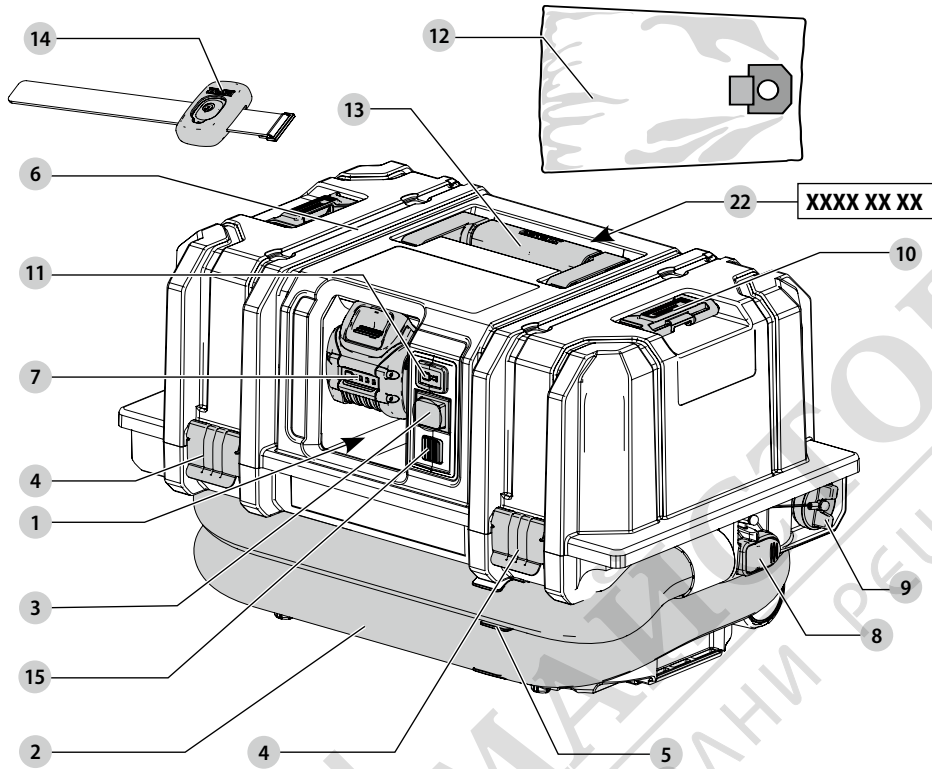


Fig. B

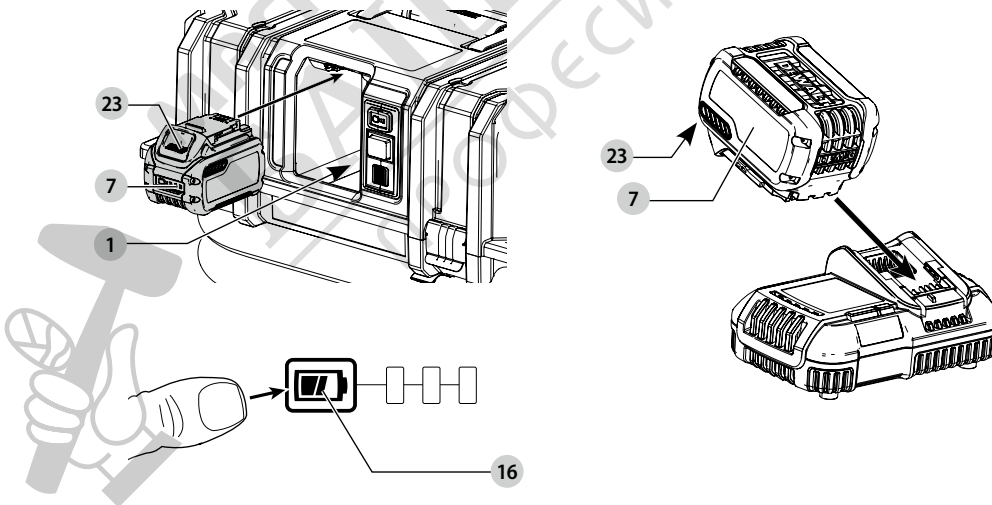


Fig. C

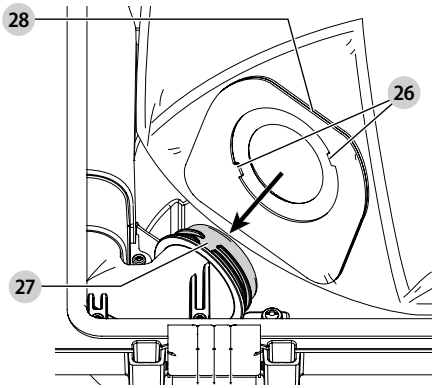


Fig. D

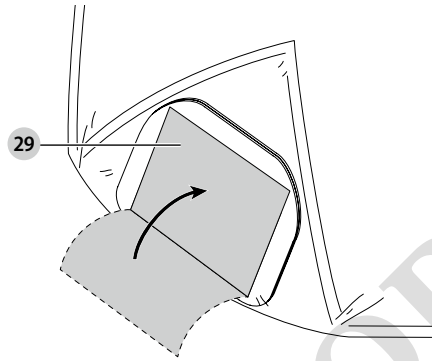


Fig. E

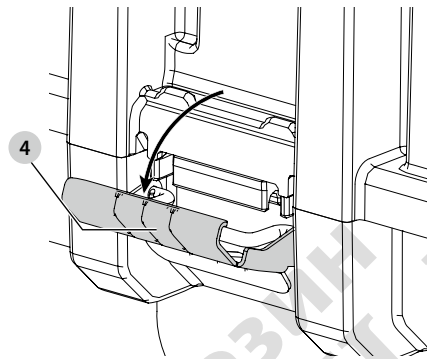


Fig. F

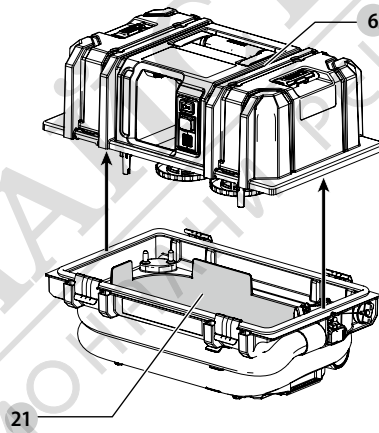


Fig. G

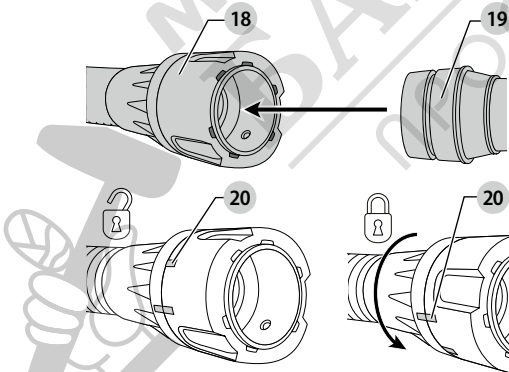


Fig. H

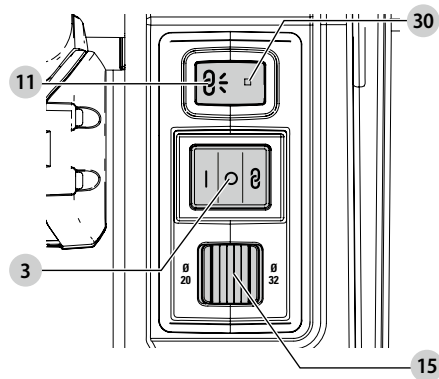
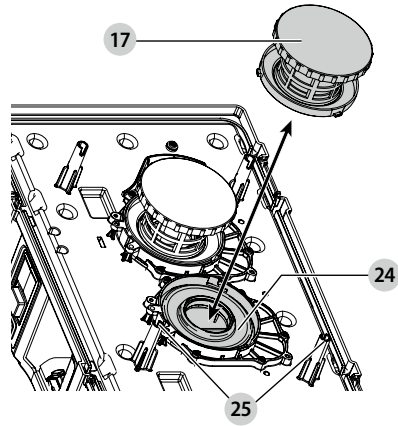
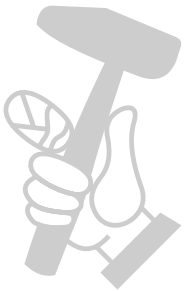


Fig.1



МАГАЗИН
БАШ МАЙСТОРА[®]
ПРОФЕСІОНАЛНИ РЕШЕНИЯ



DUST EXTRACTOR

DCV586M

Congratulations!

You have chosen a DEWALT dust extractor. Years of experience, thorough product development and innovation make DEWALT one of the most reliable partners for professional power tool users.

Technical Data

		DCV586M
Voltage	V _{DC}	54
Type		1
Battery type		Li-Ion
Degree of protection		IPX4
Negative pressure	kPa	8.8
Flow rate	l/s	24.7
Container capacity	l	11
Filling liquid max.	l	7.5
Hose diameter	mm	32
Hose length	m	2.4
Weight (without battery pack)	kg	7.5

Noise values and vibration values (tri-ax vector sum) according to EN60335-2-69:

L _{pa} (emission sound pressure level)	dB(A)	69
L _{wa} (sound power level)	dB(A)	81.5
K (uncertainty for the given sound level)	dB(A)	3.5

EC-Declaration of Conformity

Machinery Directive



Dust Extractor DCV586M

DEWALT declares that these products described under **Technical Data** are in compliance with:

2006/42/EC, EN60335-1:2012 + A11:2014 + A13:2017; EN60335-2-69:2012.

These products also comply with Directive 2014/30/EU, 2014/53/EU and 2011/65/EU. For more information, please contact DEWALT at the following address or refer to the back of the manual.

The undersigned is responsible for compilation of the technical file and makes this declaration on behalf of DEWALT.

Markus Rompel
Vice-President Engineering, PTE-Europa
DEWALT, Richard-Klinger-Straße 11,
D-65510, Idstein, Germany
15.10.2018



WARNING: To reduce the risk of injury, read the instruction manual.

Definitions: Safety Guidelines

The definitions below describe the level of severity for each signal word. Please read the manual and pay attention to these symbols.



DANGER: Indicates an imminently hazardous situation which, if not avoided, **will** result in **death or serious injury**.



WARNING: Indicates a potentially hazardous situation which, if not avoided, **could** result in **death or serious injury**.



CAUTION: Indicates a potentially hazardous situation which, if not avoided, **may** result in **minor or moderate injury**.

NOTICE: Indicates a practice **not related to personal injury** which, if not avoided, **may** result in **property damage**.



Denotes risk of electric shock.



Denotes risk of fire.

IMPORTANT SAFETY INSTRUCTIONS

SAVE ALL WARNINGS AND INSTRUCTIONS FOR FUTURE REFERENCE

READ ALL INSTRUCTIONS BEFORE USING THIS APPLIANCE

When using this appliance, basic safety precautions should always be followed including the following:



WARNING: Operators shall be adequately instructed on the use of this dust extractor.



WARNING: To reduce the risk of fire, electric shock and injury:

- Make sure that the dust extractor is engaged in the horizontal position.

Batteries				Chargers/Charge Times (Minutes)						
Cat #	V _{DC}	Ah	Weight (kg)	DCB107	DCB112	DCB113	DCB115	DCB118	DCB132	DCB119
DCB546	18/54	6.0/2.0	1.05	270	170	140	90	60	90	X
DCB547	18/54	9.0/3.0	1.46	420	270	220	140	85	140	X
DCB548	18/54	12.0/4.0	1.44	540	350	300	180	180	120	X
DCB181	18	1.5	0.35	70	45	35	22	22	22	45
DCB182	18	4.0	0.61	185	120	100	60	60	60	120
DCB183/B	18	2.0	0.40	90	60	50	30	30	30	60
DCB184/B	18	5.0	0.62	240	150	120	75	75	75	150
DCB185	18	1.3	0.35	60	40	30	22	22	22	X
DCB187	18	3.0	0.54	140	90	70	45	45	45	90
DCB189	18	4.0	0.54	185	120	100	60	60	60	120

- Do not leave the appliance unattended when the dust extractor is out of reach or sight. Remove the battery pack when not in use and before servicing.
 - Do not allow appliance to be used as a toy. Close attention is necessary when used by or near children.
 - Use this appliance ONLY as described in the manual. Use only recommended attachments and accessories.
 - Do not use this appliance if it is showing signs of malfunction in any way. If the appliance is not working correctly, has been dropped, damaged, left outdoors, or dropped into water, return it to a service centre.
 - Do not handle the appliance with wet hands.
 - Do not put any objects into the openings of the appliance. Do not use the appliance with any opening blocked; keep free of dust, lint, hair and anything else that may reduce air flow.
 - Keep hair, loose clothing, fingers, and all body parts away from the openings and moving parts.
 - Turn off all controls before disconnecting from power source.
 - Use extra care when cleaning on stairs.
 - Use personal protective equipment. Always wear eye protection. Protective equipment such as dust mask, non-skid safety shoes, hard hat, or hearing protection used for appropriate conditions will reduce personal injuries.
 - Stay alert, watch what you are doing and use common sense when operating a dust extractor. Do not use a dust extractor while you are tired or under the influence of drugs, alcohol or medication. A moment of inattention while operating dust extractors may result in serious personal injury.
- Additional Safety Warnings**
- a) **Prevent unintentional starting. Ensure the switch is in the off-position before connecting to battery pack, picking up or carrying the appliance.** Carrying the appliance with your finger on the switch or energizing appliance with switch on invites accidents.
 - b) **Disconnect the battery pack from the appliance before making any adjustments, changing accessories, or storing appliance.** Vacuum could be activated by the remote or a paired tool. Unintended energising of the appliance that has the switch on invites accidents.
 - c) **Recharge only with the charger specified by the manufacturer.** A charger that is suitable for one type of battery pack may create a risk of fire when used with another battery pack.
 - d) **Use appliances only with specifically designated battery packs.** Use of any other battery packs may create a risk of injury and fire.
 - e) **Use power tools and accessories which are connected to the vacuum in accordance with these instructions.** Use of power tools for applications others than those intended, can result in hazardous situations.
 - f) **When battery pack is not in use, keep it away from other metal objects, like paper clips, coins, keys, nails, screws or other small metal objects, that can make a connection from one terminal to another.** Shorting the battery terminals together may cause burns or a fire.
 - g) **Under abusive conditions, liquid may be ejected from the battery; avoid contact. If contact accidentally occurs, flush with water. If liquid contacts eyes, additionally seek medical help.** Liquid ejected from the battery may cause irritation or burns.
 - h) **Do not use a battery pack or appliance that is damaged or modified.** Damaged or modified batteries may exhibit unpredictable behavior resulting in fire, explosion or risk of injury.
 - i) **Do not expose a battery pack or appliance to fire or excessive temperature.** Exposure to fire or temperature above 40°C may cause explosion.
 - j) **Have servicing performed by a qualified repair person using only identical replacement parts.** This will ensure that the safety of the product is maintained.

Specific Safety Rules for Dust Extractors

- *The appliance may only be used by persons who are familiar with it, have been trained on how to use it safely and who understand the resulting hazards.*
- *When picking up dusts with an exposure limit value, precautions must be taken to ensure adequate air exchange in the room if the exhaust air from the appliance is released into the room.*
- *Operator should observe any safety regulations to the material being handled.*
- *Do not use to vacuum combustible explosive materials, such as coal, grain, or other finely divided combustible material.*
- *Do not use the appliance to pick up flammable or combustible liquids, such as gasoline, or use in areas where flammable or combustible liquids are present.*
- *Do not use to vacuum hazardous, toxic or carcinogenic materials, such as asbestos or pesticide, unless the vacuuming of the material is specifically identified in this instruction manual as an approved use.*
- *Static shocks are possible in dry areas or when the relative humidity of the air is low. This is only temporary and does not affect the use of the dust extractor.*
- *To avoid spontaneous combustion, empty the canister after every use.*
- *Some wood contains preservatives which can be toxic. Take extra care to prevent inhalation and skin contact when working with these materials. Request and follow any safety information available from your material supplier.*
- *Do not use vacuum as a step ladder.*
- *Do not place heavy objects on dust extractor.*

⚠ WARNING: To reduce the risk of fire, electric shock and injury:

- *Do not pick up anything that is burning or smoking, such as cigarettes, matches or hot ashes.*
- *Do not use without filter in place.*

Residual Risks

In spite of the application of the relevant safety regulations and the implementation of safety devices, certain residual risks cannot be avoided. These are:

- *Impairment of hearing.*
- *Risk of personal injury due to flying particles.*
- *Risk of burns due to accessories becoming hot during operation.*
- *Risk of personal injury due to prolonged use.*

Electrical Safety

The electric motor has been designed for one voltage only. Always check that the battery pack voltage corresponds to the voltage on the rating plate. Also make sure that the voltage of your charger corresponds to that of your mains.



Your DEWALT charger is double insulated in accordance with EN60335; therefore no earth wire is required.

If the supply cord is damaged, it must be replaced by a specially prepared cord available through the DEWALT service organisation.

Mains Plug Replacement (U.K. & Ireland Only)

If a new mains plug needs to be fitted:

- *Safely dispose of the old plug.*
- *Connect the brown lead to the live terminal in the plug.*
- *Connect the blue lead to the neutral terminal.*



WARNING: No connection is to be made to the earth terminal.

Follow the fitting instructions supplied with good quality plugs. Recommended fuse: 3 A.

Using an Extension Cable

An extension cord should not be used unless absolutely necessary. Use an approved extension cable suitable for the power input of your charger (see **Technical Data**). The minimum conductor size is 1 mm²; the maximum length is 30 m.

When using a cable reel, always unwind the cable completely.

SAVE THESE INSTRUCTIONS

Chargers

DEWALT chargers require no adjustment and are designed to be as easy as possible to operate.

Important Safety Instructions for All Battery Chargers

SAVE THESE INSTRUCTIONS: This manual contains important safety and operating instructions for compatible battery chargers (refer to **Technical Data**).

- *Before using charger, read all instructions and cautionary markings on charger, battery pack, and product using battery pack.*



WARNING: Shock hazard. Do not allow any liquid to get inside charger. Electric shock may result.



WARNING: We recommend the use of a residual current device with a residual current rating of 30mA or less.



CAUTION: Burn hazard. To reduce the risk of injury, charge only DEWALT rechargeable batteries. Other types of batteries may burst causing personal injury and damage.



CAUTION: Children should be supervised to ensure that they do not play with the appliance.

NOTICE: Under certain conditions, with the charger plugged into the power supply, the exposed charging contacts inside the charger can be shorted by foreign material. Foreign materials of a conductive nature such as, but not limited to, steel wool, aluminum foil or any buildup of metallic particles should be kept away from charger cavities. Always unplug the charger from the power supply when there is no battery pack in the cavity. Unplug charger before attempting to clean

- **DO NOT attempt to charge the battery pack with any chargers other than the ones in this manual.** The charger and battery pack are specifically designed to work together.
- **These chargers are not intended for any uses other than charging DEWALT rechargeable batteries.** Any other uses may result in risk of fire, electric shock or electrocution.
- **Do not expose charger to rain or snow.**
- **Pull by plug rather than cord when disconnecting charger.** This will reduce risk of damage to electric plug and cord.
- **Make sure that cord is located so that it will not be stepped on, tripped over, or otherwise subjected to damage or stress.**
- **Do not use an extension cord unless it is absolutely necessary.** Use of improper extension cord could result in risk of fire, electric shock, or electrocution.
- **Do not place any object on top of charger or place the charger on a soft surface that might block the ventilation slots and result in excessive internal heat.** Place the charger in a position away from any heat source. The charger is ventilated through slots in the top and the bottom of the housing.
- **Do not operate charger with damaged cord or plug—** have them replaced immediately.
- **Do not operate charger if it has received a sharp blow, been dropped, or otherwise damaged in any way.** Take it to an authorised service centre.
- **Do not disassemble charger; take it to an authorised service centre when service or repair is required.** Incorrect reassembly may result in a risk of electric shock, electrocution or fire.
- **In case of damaged power supply cord the supply cord must be replaced immediately by the manufacturer, its service agent or similar qualified person to prevent any hazard.**
- **Disconnect the charger from the outlet before attempting any cleaning.** This will reduce the risk of electric shock. Removing the battery pack will not reduce this risk.
- **NEVER attempt to connect two chargers together.**
- **The charger is designed to operate on standard 230V household electrical power. Do not attempt to use it on any other voltage.** This does not apply to the vehicular charger.


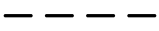

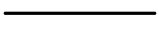

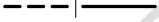
Charging a Battery (Fig. B)

1. Plug the charger into an appropriate outlet before inserting battery pack.
2. Insert the battery pack **7** into the charger, making sure the battery pack is fully seated in the charger. The red (charging) light will blink repeatedly indicating that the charging process has started.
3. The completion of charge will be indicated by the red light remaining ON continuously. The battery pack is fully charged and may be used at this time or left in the charger. To remove the battery pack from the charger, push the battery release button **23** on the battery pack.

NOTE: To ensure maximum performance and life of lithium-ion battery packs, charge the battery pack fully before first use.

Charger Operation

Refer to the indicators below for the charge status of the battery pack.

Charge Indicators		
	Charging	
	Fully Charged	
	Hot/Cold Pack Delay*	

*The red light will continue to blink, but a yellow indicator light will be illuminated during this operation. Once the battery pack has reached an appropriate temperature, the yellow light will turn off and the charger will resume the charging procedure.

The compatible charger(s) will not charge a faulty battery pack. The charger will indicate faulty battery by refusing to light.

NOTE: This could also mean a problem with a charger.

If the charger indicates a problem, take the charger and battery pack to be tested at an authorised service centre.

Hot/Cold Pack Delay

When the charger detects a battery pack that is too hot or too cold, it automatically starts a Hot/Cold Pack Delay, suspending charging until the battery pack has reached an appropriate temperature. The charger then automatically switches to the pack charging mode. This feature ensures maximum battery pack life.

A cold battery pack will charge at a slower rate than a warm battery pack. The battery pack will charge at that slower rate throughout the entire charging cycle and will not return to maximum charge rate even if the battery pack warms.

The DCB118 charger is equipped with an internal fan designed to cool the battery pack. The fan will turn on automatically when the battery pack needs to be cooled. Never operate the charger if the fan does not operate properly or if ventilation slots are blocked. Do not permit foreign objects to enter the interior of the charger.

Electronic Protection System

XR Li-Ion appliances are designed with an Electronic Protection System that will protect the battery pack against overloading, overheating or deep discharge.


The dust extractor will automatically turn off if the Electronic Protection System engages. If this occurs, place the lithium-ion battery pack on the charger until it is fully charged.

Wall Mounting

These chargers are designed to be wall mountable or to sit upright on a table or work surface. If wall mounting, locate the charger within reach of an electrical outlet, and away from a corner or other obstructions which may impede air flow. Use the back of the charger as a template for the location of the mounting screws on the wall. Mount the charger securely using drywall screws (purchased separately) at least 25.4 mm long with a screw head diameter of 7–9 mm, screwed into wood to

an optimal depth leaving approximately 5.5 mm of the screw exposed. Align the slots on the back of the charger with the exposed screws and fully engage them in the slots.

Charger Cleaning Instructions

 **WARNING: Shock hazard. Disconnect the charger from the AC outlet before cleaning.** Dirt and grease may be removed from the exterior of the charger using a cloth or soft non-metallic brush. Do not use water or any cleaning solutions. Never let any liquid get inside the charger; never immerse any part of the tool into a liquid.

Battery Packs

Important Safety Instructions for All Battery Packs


When ordering replacement battery packs, be sure to include catalogue number and voltage.

The battery pack is not fully charged out of the carton. Before using the battery pack and charger, read the safety instructions below. Then follow charging procedures outlined.


READ ALL INSTRUCTIONS


- **Do not charge or use battery in explosive atmospheres, such as in the presence of flammable liquids, gases or dust.** Inserting or removing the battery from the charger may ignite the dust or fumes.
- **Never force battery pack into charger. Do not modify battery pack in any way to fit into a non-compatible charger as battery pack may rupture causing serious personal injury.**
- Charge the battery packs only in DeWALT chargers.
- **DO NOT splash or immerse in water or other liquids.**
- **Do not store or use the dust extractor and battery pack in locations where the temperature may reach or exceed 40 °C (104 °F) (such as outside sheds or metal buildings in summer).**
- **Do not incinerate the battery pack even if it is severely damaged or is completely worn out.** The battery pack can explode in a fire. Toxic fumes and materials are created when lithium-ion battery packs are burned.
- **If battery contents come into contact with the skin, immediately wash area with mild soap and water.** If battery liquid gets into the eye, rinse water over the open eye for 15 minutes or until irritation ceases. If medical attention is needed, the battery electrolyte is composed of a mixture of liquid organic carbonates and lithium salts.
- **Contents of opened battery cells may cause respiratory irritation.** Provide fresh air. If symptoms persists, seek medical attention.

 **WARNING: Burn hazard.** Battery liquid may be flammable if exposed to spark or flame.


 **WARNING: Never attempt to open the battery pack for any reason.** If battery pack case is cracked or damaged, do not insert into charger. Do not crush, drop or damage battery pack. Do not use a battery pack or charger that has received a sharp blow, been dropped, run over or

damaged in any way (i.e., pierced with a nail, hit with a hammer, stepped on). Electric shock or electrocution may result. Damaged battery packs should be returned to service centre for recycling.

 **WARNING: Fire hazard. Do not store or carry the battery pack so that metal objects can contact exposed battery terminals.** For example, do not place the battery pack in aprons, pockets, tool boxes, product kit boxes, drawers, etc., with loose nails, screws, keys, etc.

 **CAUTION: When not in use, place tool on its side on a stable surface where it will not cause a tripping or falling hazard.** Some tools with large battery packs will stand upright on the battery pack but may be easily knocked over.

Transportation

 **WARNING: Fire hazard.** Transporting batteries can possibly cause fire if the battery terminals inadvertently come in contact with conductive materials. When transporting batteries, make sure that the battery terminals are protected and well insulated from materials that could contact them and cause a short circuit.

NOTE: Lithium-ion batteries should not be put in checked baggage.

DeWALT batteries comply with all applicable shipping regulations as prescribed by industry and legal standards which include UN Recommendations on the Transport of Dangerous Goods; International Air Transport Association (IATA) Dangerous Goods Regulations, International Maritime Dangerous Goods (IMDG) Regulations, and the European Agreement Concerning The International Carriage of Dangerous Goods by Road (ADR). Lithium-ion cells and batteries have been tested to section 38.3 of the UN Recommendations on the Transport of Dangerous Goods Manual of Tests and Criteria.

In most instances, shipping a DeWALT battery pack will be excepted from being classified as a fully regulated Class 9 Hazardous Material. In general, only shipments containing a lithium-ion battery with an energy rating greater than 100 Watt Hours (Wh) will require being shipped as fully regulated Class 9. All lithium-ion batteries have the Watt Hour rating marked on the pack. Furthermore, due to regulation complexities, DeWALT does not recommend air shipping lithium-ion battery packs alone regardless of Watt Hour rating. Shipments of appliances with batteries (combo kits) can be air shipped as excepted if the Watt Hour rating of the battery pack is no greater than 100 Whr. Regardless of whether a shipment is considered excepted or fully regulated, it is the shipper's responsibility to consult the latest regulations for packaging, labeling/marketing and documentation requirements.

The information provided in this section of the manual is provided in good faith and believed to be accurate at the time the document was created. However, no warranty, expressed or implied, is given. It is the buyer's responsibility to ensure that its activities comply with the applicable regulations.

Transporting the FLEXVOLT™ Battery

The DeWALT FLEXVOLT™ battery has two modes:

Use and Transport.

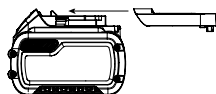
Use Mode: When the FLEXVOLT™ battery stands alone or is in a DeWALT 18V product, it will operate as an 18V battery. When the FLEXVOLT™ battery is in a 54V or a 108V (two 54V batteries) product, it will operate as a 54V battery.

Transport Mode: When the cap is attached to the FLEXVOLT™ battery, the battery is in Transport mode. Keep the cap for shipping.

When in Transport mode, strings of cells are electrically disconnected within the pack resulting in 3 batteries with a lower Watt hour (Wh) rating as compared to 1 battery with a higher Watt hour rating. This increased quantity of 3 batteries with the lower Watt hour rating can exempt the pack from certain shipping regulations that are imposed upon the higher Watt hour batteries.

For example, the Transport Wh rating might indicate 3 x 36 Wh, meaning 3 batteries of 36 Wh each. The Use Wh rating might indicate 108 Wh (1 battery implied).

Example of Use and Transport Label Marking



Have defective cords replaced immediately.



Charge only between 4 °C and 40 °C.



Only for indoor use.



Discard the battery pack with due care for the environment.



Charge DeWALT battery packs only with designated DeWALT chargers. Charging battery packs other than the designated DeWALT batteries with a DeWALT charger may make them burst or lead to other dangerous situations.



Do not incinerate the battery pack.



USE (without transport cap). Example: Wh rating indicates 108 Wh (1 battery with 108 Wh).



TRANSPORT (with built-in transport cap). Example: Wh rating indicates 3 x 36 Wh (3 batteries of 36 Wh).

Battery Type

The DCV586M operates on a 54 volt battery pack.

These battery packs may be used: DCB546, DCB547, DCB548.

Refer to **Technical Data** for more information.

Package Contents

The package contains:

- 1 Dust extractor
- 1 Remote (DCV585KV)
- 2 Filters
 - 1 Hose
 - 1 Fleece bag (kit only)
- 1 Li-Ion battery pack (C1, D1, L1, M1, P1, S1, T1, X1, Y1 models)
- 2 Li-Ion battery packs (C2, D2, L2, M2, P2, S2, T2, X2, Y2 models)
- 3 Li-Ion battery packs (C3, D3, L3, M3, P3, S3, T3, X3, Y3 models)
- 1 Instruction manual

NOTE: Battery packs, chargers and kitboxes are not included with N models. Battery packs and chargers are not included with NT models. B models include Bluetooth® battery packs.

NOTE: The Bluetooth® word mark and logos are registered trademarks owned by the Bluetooth®, SIG, Inc. and any use of such marks by DeWALT is under license. Other trademarks and trade names are those of their respective owners.

- Check for damage to the dust extractor, parts or accessories which may have occurred during transport.
- Take the time to thoroughly read and understand this manual prior to operation.

Storage Recommendations

1. The best storage place is one that is cool and dry away from direct sunlight and excess heat or cold. For optimum battery performance and life, store battery packs at room temperature when not in use.
2. For long storage, it is recommended to store a fully charged battery pack in a cool, dry place out of the charger for optimal results.

NOTE: Battery packs should not be stored completely depleted of charge. The battery pack will need to be recharged before use.

Labels on Charger and Battery Pack

In addition to the pictographs used in this manual, the labels on the charger and the battery pack may show the following pictographs:



Read instruction manual before use.



See **Technical Data** for charging time.



Do not probe with conductive objects.



Do not charge damaged battery packs.



Do not expose to water.

Markings on Dust Extractor

The following pictograms are shown on the dust extractor:



Read instruction manual before use.



Pairing symbol.



Hose diameter switch positions.



Acoustic alarm



Low battery alarm



Flow rate alarm



WARNING: This machine contains dust hazardous to health. Emptying and maintenance operations, including removal of the dust collection means, must only be carried out by authorised personnel wearing suitable personal protection. Do not operate without the full filtration system fitted.



Class M dust extractors are suitable to extract dry, non-combustable dusts with workplace limit values of $\geq 0.1 \text{ mg/m}^3$.

Date Code Position (Fig. A)

The date code **22**, which also includes the year of manufacture, is printed on top housing under handle.

Example:

2018 XX XX

Year of Manufacture

Description (Fig. A)



WARNING: Never modify the dust extractor or any part of it. Damage or personal injury could result.

- | | |
|-------------------------|---|
| 1 Battery port | 10 TSTAK stacking latches |
| 2 Dust extractor hose | 11 Wireless Tool Control pairing button |
| 3 Three position switch | 12 Fleece bag |
| 4 Tank latches | 13 Handle |
| 5 Hose clips | 14 Wireless Tool Control remote |
| 6 Dust extractor head | 15 Hose selection switch |
| 7 Battery pack | |
| 8 Hose release latch | |
| 9 Hose inlet plug | |

Intended Use

This industrial dust extractor cleaner is intended for wet and dry vacuum cleaning applications.

The appliance can operate cordless by using the DeWALT 54V Li-ion batteries.

The dust extractor can be used with a DeWALT TSTAK transport system or as a stand alone unit on the floor.

The DCV586M is suitable for picking up dry and non-flammable dusts, liquids, wood chips, mineral dusts containing quartz and hazardous dusts with exposure limit values (e.g. MAK or AGW values) greater than or equal to 0.1 mg/m^3 (dust class M as per IEC/EN60335-2-69).

DO NOT pick up materials that present a risk of explosion, glowing or burning materials, flammable materials, gases or other hazardous substances.

DO NOT suck up oil, liquids with a temperature of over $32 \text{ }^\circ\text{C}$, aggressive or flammable liquids.

DO NOT use the dust extractor in explosive atmospheres.

DO NOT use the dust extractor without dust bag.

NOTE: This appliance is suited for professional and commercial use, e.g. in hotels, schools, hospitals, factories, shops, offices, rental companies, and on construction sites.

DO NOT let children come into contact with the dust extractor. Supervision is required when inexperienced operators use this dust extractor.

- **Young children and the infirm.** This appliance is not intended for use by young children or infirm persons.
- This product is not intended for use by persons (including children) suffering from diminished physical, sensory or mental abilities; lack of experience, knowledge or skills. Children should never be left alone with this product.

ASSEMBLY AND ADJUSTMENTS



WARNING: To reduce the risk of serious personal injury, turn dust extractor off and disconnect battery pack before making any adjustments or removing/installing attachments or accessories and if the dust extractor head is removed from the tank or not latched securely. An accidental start-up can cause injury.



WARNING: Use only DeWALT battery packs and chargers.

Installing and Removing the Battery Pack (Fig. B)

NOTE: Make sure your battery pack **7** is fully charged.

1. To install the battery pack into the vacuum, insert/slide battery pack into battery port **1**. Make sure the battery pack is fully seated.
2. To remove the battery pack from the dust extractor, press and hold the battery release **23** on the battery pack and remove. To charge the pack, insert it into your DeWALT charger.

Fuel Gauge Battery Packs (Fig. B)

Some DEWALT battery packs include a fuel gauge which consists of three green LED lights that indicate the level of charge remaining in the battery pack.

To actuate the fuel gauge, press and hold the fuel gauge button **16**. A combination of the three green LED lights will illuminate designating the level of charge left. When the level of charge in the battery is below the usable limit, the fuel gauge will not illuminate and the battery will need to be recharged.

NOTE: The fuel gauge is only an indication of the charge left on the battery pack. It does not indicate dust extractor functionality and is subject to variation based on product components, temperature and end-user application.

Attaching the Hose to the Dust Extractor (Fig. A)

To attach the hose to the dust extractor, press the hose release latch **8** and insert the end of the hose into the hose inlet. The hose must be inserted fully before the hose release latch is released.

To remove the hose, press the hose release latch and remove the hose. The hose must be fully removed before releasing the hose release latch.

The hose inlet plug **9** may be used to cover the hose inlet if the hose is removed for transportation, cleaning, etc.

Installing the Paper or Fleece Bag (Fig. A, C, E, F)

When vacuuming fine dust, you may also use an additional paper bag or fleece bag **12** to make emptying the tank **21** easier.

NOTE: Always use a bag with M-class dust.

1. Press the three position switch **3** to the Off (O) position and remove the battery **7**.
2. Unlatch the tank latches **4** and remove the dust extractor head **6** from the tank **21**.
3. Attach the bag by passing the two tabs **26** on the bag opening past the two notches **27** on the dust extractor.
4. Rotate the bag a quarter turn until the square edge **28** is facing upward.
5. Fit the bag inside the tank.
6. Replace dust extractor head onto the tank and latch securely.

Removing and Disposing the Bag (Fig. A, D, E, F)

WARNING: Appropriate personal protective equipment like dust mask and gloves should be used while handling used dust bags.

1. Press the three position switch **3** to the Off (O) position and remove the battery **7**.
2. Close the twist-lock hose inlet with the hose inlet plug **9**.
3. Unlatch the tank latches **4** and remove the dust extractor head **6** from the tank **21**.

NOTE: It is normal for there to be a small amount of dust in the tank even with the the bag properly installed.

4. Rotate the bag until the two tabs align with the two notches on the dust extractor and remove the bag from the dust extractor.
5. Once the bag is removed it can be sealed for disposal.
 - a. Peel the backing from the adhesive seal **29**.
 - b. Press the adhesive seal over the opening and properly dispose of the bag. DO NOT reuse the bag.

OPERATION

Instructions for Use



WARNING: Always observe the safety instructions and applicable regulations.



WARNING: To reduce the risk of serious personal injury, turn dust extractor off and disconnect battery pack before making any adjustments or removing/installing attachments or accessories and if the dust extractor head is removed from the tank or not latched securely. An accidental start-up can cause injury.

Flow Rate/Low Battery Alarm

Flow Rate Alarm Adjustment (Fig. A)

Adjust the hose selection switch **15** to the correct hose (or tube) inside diameter size or accessory diameter referring to the largest section. The chosen diameter of the hose selection switch must be equal or bigger as the largest diameter of the used hose/tube/accessories. The hose supplied is 32 mm inside diameter. An acoustic alarm will sound with a slow, intermittent beep if the flow rate falls below 20 m/s. The system has a time delay to reduce unintended alarms.

If the alarm sounds when there is no apparent blockage:

1. Ensure that the hose selection switch is set to the correct diameter.
2. If the flow rate adjustment is set below the maximum, increase this level until sufficient flow through the hose causes the alarm to stop.
3. If the alarm still continues to sound, remove hose and check that it is clear. Remove and replace dust bag if full or blocked and check filter condition and replace where necessary.

If the alarm continues to sound contact your local DEWALT service agent.

Low Battery Alarm (Fig. A)

An acoustic alarm will sound with a quick, intermittent beep if the battery life should become low. If this alarm sounds, remove the battery pack **7** from the battery port **1** and charge the battery. Refer to **Charging a Battery**.

Using the Dust Extractor (Fig. A)

1. Before using the dust extractor select the proper hose diameter using the hose selector switch **15**.
2. Attach the appropriate accessory to the dust extractor hose **2**.
3. Insert the battery pack **7**.

- To turn dust extractor on, press the three position switch **3** to the On (I) position.
- To use in Wireless Tool Control mode press the three position switch to the Wireless Tool Control (Ⓟ) position. The trigger of the connected tool, or the button on the remote will control the dust extractor.
NOTE: Refer to **Pairing the Dust Extractor with a Tool using Wireless Tool Control Mode** to use the dust extractor with a Wireless Tool Control equipped tool or remote.
- When finished, turn the dust extractor off by pressing the three position switch to the Off (O) position.

Wet Pick Up Applications (Fig. I)



WARNING: If foam or liquid escapes from the machine, switch off immediately.



CAUTION: Clean the water level sensors regularly and examine it for signs of damage.



WARNING: Do not use the machine with this set up for dust Class M.

The dust extractor is designed to perform as a wet/dry unit. Dedicated filters should be used for wet pick up applications to avoid filter clogging.

- Make sure that the dust extractor is engaged in the horizontal position.
- Before wet pick up applications the dust bag must be removed.
- Water level sensors probes **25** will automatically shut off the dust extractor when the maximum fill level has been reached. Move the three position switch to the Off (O) position, remove the battery, and empty the tank before turning the dust extractor back on.
- To avoid syphoning, remove the dust extractor hose from the source after the water sense probes shut down the dust extractor.
- It is recommended that the tank be emptied of any dry contents prior to being used for wet pick up to facilitate tank cleaning.
- Allow filters to dry after wet pick up applications.

To Empty Tank (Fig. A, E, F)

- Press the three position switch **3** to the Off (O) position and remove the battery **7**.
- Unlatch tank latches **4** and remove dust extractor head **6**.
- Empty contents of tank **21** into an appropriate container according to statutory provisions.

To Convert Back to Dry Vacuum Operation (Fig. A, F)

- Empty tank **21**, refer to **Dust Extractor Cleaning** instructions.
- Place tank upside down position until dry. DO NOT use wet tank for dry pick up.
- Place dust extractor head **6** on a level surface until dry.
- Reinstall filters when dust extractor head is dry. See **Filters**.
- When canister is dry place the dust extractor head **6** onto the tank and secure it by closing the tank latches **4**.

Connecting to Power Tools (Fig. A, G)



CAUTION: Follow all the requirements of the power tool regarding connection of dust extractor.

- Choose the correct power tool adaptor **19** to fit the power tool connection on the tool to be used, refer to **Optional Accessories** under **Maintenance**. Attach power tool adaptor **19** to power tool.
- Your DEWALT construction dust extractor is fitted with the DEWALT AirLock connection system. The AirLock allows for a fast, secure connection between the dust extractor hose **2** and power tool. The AirLock connector **18** connects directly to DEWALT compatible tools or through the use of an AirLock adaptor (available from your local DEWALT supplier). Refer to the **Optional Accessories** section for detail on available adaptors.
NOTE: If using an adaptor, ensure it is firmly attached to the tool outlet before following the steps below.
 - Ensure the collar on the AirLock connector is in the unlock position. (Refer to Figure G.) Align notches **20** on collar and AirLock connector as shown for unlock and lock positions.
 - Push the AirLock connector onto the adaptor connector point.
 - Rotate the collar to the locked position.
NOTE: The ball bearings inside collar lock into slot and secure the connection. The power tool is now securely connected to the dust extractor.

Pairing the Dust Extractor with a Tool using Wireless Tool Control Mode (Fig. A, H)



CAUTION: When the dust extractor is being controlled with the remote or paired power tool it may start or stop without warning.



WARNING: Do not attach the remote strap to moving parts.

To Pair with a DEWALT Remote or Wireless Tool Control Tool

- Press the three position switch **3** to the Wireless Tool Control (Ⓟ) position.
- Press and hold the Wireless Tool Control pairing button **11** on the DCV586M and pull the trigger on the Wireless Tool Control equipped tool or press the button on the remote **14** at the same time.
- The LED **30** will be steadily illuminated to indicate a successful pairing.
NOTE: Only one transmitter can be paired to the DCV586M at a time. If the unit is already paired the previous transmitter will be overridden.

To Unpair with a Wireless Tool Control Tool or Remote

- Press and hold the Wireless Tool Control pairing button **11** on the DCV586M and pull the trigger on the Wireless Tool Control equipped tool or press the button on the remote at the same time.
- The LED **30** will flash slowly to indicate a successful unpairing.

Dust Extractor Cleaning

To Empty Tank (Fig. A, F, H)

⚠ WARNING: Appropriate personal protective equipment like a dust mask and gloves should be used while cleaning the dust extractor and emptying the tank.

⚠ WARNING: Emptying and maintenance, including disposal of the dust collection container, may be carried out only by trained and qualified specialists. Wear the appropriate protective equipment.

The buzzer sounds and suction is reduced when the tank is full.

1. Press the three position switch **3** to the Off (O) position and remove the battery **7**.
2. Close the twist-lock hose inlet with the hose inlet plug **9**.
3. Remove the dust extractor head **6** from the tank **21**.
4. Dispose of collection bag in appropriate container according to statutory provisions.
5. Clean or change filters **17**. Refer to **Filter** section of this manual.
6. Inspect machine for damage by foreign objects. Contact the nearest DEWALT authorized service centre for replacement of damaged or missing parts.
7. Replace dust extractor head onto the tank and latch securely.

Stacking Using the DEWALT TSTAK Stacking Latches (Fig. A)

⚠ WARNING: When stacking, always place the dust extractor on the bottom.

The DEWALT TSTAK stacking latches **10** allow for other TSTAK products to securely stack one on top of the other for convenience and portability.

To use the TSTAK stacking latches **10**, place a TSTAK compatible unit on top of the dust extractor and flip up the two TSTAK stacking latches so that they clip securely to the bottom of the unit.

Filters

⚠ WARNING: The filters must always be in place while vacuuming.

Filter Care

The filters included with this dust extractor are long life filters. To be effective in minimizing dust recirculation, the filters MUST be installed correctly and in good condition.

Automatic Filter Cleaning System

This dust extractor has a highly effective filter cleaning system which minimizes filter clogging. Every 20 seconds, one of the two filters gets automatically cleaned. The cleaning process alternates between the filters and continues through the life of the unit.

NOTE: It is normal to hear a clicking sound during this process.

NOTE: After many hours of operation the automatic filter cleaning system may not be effective. When this happens the filters will need to be cleaned or replaced.

To Remove Filters (Fig. A, H, I)

⚠ WARNING: Appropriate personal protective equipment like dust mask and gloves should be used while handling the filters.

1. Press the three position switch **3** to the Off (O) position and remove the battery **7**.
2. Release tank latches **4** and remove dust extractor head **6** from canister. Place dust extractor head on a level surface upside down.
3. Turn each filter **17** counterclockwise, and carefully remove from dust extractor head, ensuring debris does not fall into mounting hole.

NOTE: Use care to not damage filter material.

4. Inspect filters for wear, tears or other damage.

NOTE: If there is any doubt on the condition of the filters, they MUST be replaced. DO NOT continue use if filters are damaged.

⚠ WARNING: Never use compressed air or a brush to clean filters, otherwise damage to the filter membrane will occur which will allow dust to pass through the filter. If needed, rinse with room temperature water and let air dry. Cleaning of the filters is typically unnecessary. Even if the filter is covered with dust, the automatic filter cleaning system will maintain maximum performance and continue to function. If visual damage to the filter membrane exists, replace filters. Filters typically last between six and twelve months, depending on use and care.

NOTE: Dispose of filter in appropriate container according to statutory provisions.

To Install Filters (Fig. E, F, I)

⚠ WARNING: The filters must always be in place while vacuuming.

1. Ensure filter seal is in place and is clean and secure.
2. Line up the tabs on the filter **17** to the notches on the dust extractor head and using moderate force, turn clockwise until the filter is secure.

NOTE: Use care to not damage filter material.

3. Place the dust extractor head **6** onto the tank **21** and secure it by closing the tank latches **4**.

MAINTENANCE

The appliance must be subjected to a technical inspection by DEWALT Service or a trained person at least once a year to check, damage to the filter, air leakage, and to ensure correct operation of controlling devices.

⚠ WARNING: For vacuum cleaners of the class M, please note: The exterior of the dust extractor should be decontaminated by dust extraction and wiped clean or seal it in a suitable container or material before being removed from an area contaminated with hazardous substances; All parts of the dust extractor must be considered contaminated when taken out of the hazardous area and appropriate measures must be taken to avoid dust distribution.

⚠ WARNING: *To reduce the risk of serious personal injury, turn dust extractor off and disconnect battery pack before making any adjustments or removing/installing attachments or accessories and if the dust extractor head is removed from the tank or not latched securely. An accidental start-up can cause injury.*

The dust extractor must be handled for cleaning and maintenance in a way, that avoids exposing maintenance personnel and other persons to any hazards.

- Wear personal protective equipment.
- Use filtered forced ventilation.
- Clean the dust extractor. Refer to **Cleaning**.
- When maintenance or repairs are carried out, all contaminated parts which cannot be satisfactorily cleaned must be packed in impermeable bags and disposed of in compliance with the applicable disposal regulations.
- After maintenance or repairs clean the maintenance area in a way that prevents hazardous substances escaping into the surrounding environment.

The charger and battery pack are not serviceable.



Lubrication

Your dust extractor requires no additional lubrication.



Cleaning (Fig. A, I)

⚠ WARNING: *Never use solvents or other harsh chemicals for cleaning the non-metallic parts of the dust extractor. These chemicals may weaken the materials used in these parts. Use a cloth dampened only with water and mild soap. Never let any liquid get inside the dust extractor; never immerse any part of the dust extractor into a liquid.*

For cleaning and maintenance in a way that avoids exposing maintenance personnel and other persons to any hazards, wear personal protective equipment. Clean the maintenance area in a way that prevents hazardous substances from escaping into the surrounding environment.

Do not use a spray system, pressure jet washer or running water for cleaning.

1. Vacuum the outside of the dust extractor. For further cleaning use a cloth dampened only with water and mild soap if necessary.
2. After use dispose of cloth in an appropriate container.
3. Empty tank according to the section **Dust Extractor Cleaning**.
4. Inspect water sensor probes **25** during dust extractor cleaning. Water sense probes may become contaminated during operation. If contamination is present, clean water sense probes thoroughly with damp cloth to remove any visible contamination.

Storage (Fig. A)

⚠ CAUTION: *The three position switch must be in OFF (0) position to prevent unintentional being switched on by Wireless Tool Control.*

1. Empty the tank. Refer to **Dust Extractor Cleaning** under **Operation**.
2. Clean the dust extractor inside and outside.
3. Clean or replace filters, refer to **Filters**.
4. Store the suction hose with the hose clips **5** and the power cord as shown in the illustration. Place the unit in a dry room and secure it from unauthorized use.

NOTE: Plug hose inlet plug **9** into inlet to keep debris inside canister when suction hose is removed. You can also attach the ends of the hose together and lock together with the twist-lock end.

Optional Accessories

⚠ WARNING: *Since accessories, other than those offered by DEWALT, have not been tested with this product, use of such accessories with this dust extractor could be hazardous. To reduce the risk of injury, only DEWALT recommended accessories should be used with this product.*

Consult your dealer for further information on the appropriate accessories.

A replacement filter is available at extra cost at your local DEWALT service centre.

Dust Collector

In the vacuum mode, the appliance can also function as a dust collector for power tool applications producing dust or debris.

IMPORTANT! The DWV9000 dust extraction adaptor is designed to work with Dust System Compatible DEWALT power tools. An additional adaptor will be needed with non-compatible DEWALT tools.

Optional Accessories

- DCV5861 Replacement Filters (Contains 2 DC5151H filters)
- DWV9316 Anti-Static Hose
- DWV9000 Twist Lock connection
- DWV9110 29 mm–35 mm tapered rubber adaptor
- DWV9120 35 mm–38 mm stepped rubber adaptor
- DWV9130 35 mm OD Adaptor
- DWV9150 35 mm OD angle adaptor
- DWST17889 Cart
- DWST17888 Trolley

The filter bags provide a clean, easy and quick way to dispose of the dust collected.

Paper filter bags: The DCV9401 filter bags are designed to capture many types of dust including drywall, concrete and wood. These bags should be disposed of once the airflow becomes restricted. DO NOT reuse bags.

	DCV9401	Disposable paper filter bag
---	---------	-----------------------------


Fleece filter bag: The DCV9402 fleece bag is designed to capture many types of dust including drywall, concrete and wood. This bag should be disposed of once the airflow becomes restricted. DO NOT reuse this bag. The fleece bag is ideal for heavier materials such as concrete and drywall dust where a paper filter bag may tear.

	DCV9402	Disposable fleece filter bag
---	---------	------------------------------

Protecting the Environment



Separate collection. Products and batteries marked with this symbol must not be disposed of with normal household waste.

 Products and batteries contain materials that can be recovered or recycled reducing the demand for raw materials. Please recycle electrical products and batteries according to local provisions. Further information is available at www.2helpU.com.

Rechargeable Battery Pack

This long life battery pack must be recharged when it fails to produce sufficient power on jobs which were easily done before. At the end of its technical life, discard it with due care for our environment:

- Run the battery pack down completely, then remove it from the dust extractor.
- Li-Ion cells are recyclable. Take them to your dealer or a local recycling station. The collected battery packs will be recycled or disposed of properly.



МАГАЗИН
БАШ МАЙСТОРА
ПРОФЕСИОНАЛНИ РЕШЕНИЯ

TROUBLESHOOTING

Problem	Possible Cause	Troubleshooting Steps	
Motor does not run.	Switch is not in On (I) position.	Ensure three position switch is in On (I) position.	
	Low battery voltage/poor battery connection.	Ensure battery is fully charged and fully inserted.	
	Tank is full of liquid and sense circuit is tripped.	1. Turn the three position switch to the Off (0) position and remove battery. 2. Empty tank.	
Dust extractor stops running.	Thermal overload has been tripped.	1. Turn the dust extractor off and remove battery. 2. Empty the tank, if needed. 3. Allow the dust extractor to cool. 4. Reinsert the battery and press the three position switch to the On (I) position to test. 5. If dust extractor will not restart, contact DeWALT service center..	
	Tank is full of liquid and sense circuit is tripped.	1. Turn the three position switch to the Off (0) position and remove battery. 2. Empty tank.	
	Battery is discharged.	Insert fully charged battery.	
	Battery is not fully inserted.	Remove and reinsert battery.	
	Dust comes out of unit while using.	Filters not installed properly. Filters are damaged/torn. Filter gaskets are damaged. Head not installed properly to tank. Head gasket damaged.	Remove and reinstall per proper procedure. Replace filters. Contact DeWALT service center. Remove, reinstall and ensure latches are fully engaged. Contact DeWALT service center.
Dust extractor stops capturing dust.	Filters clogged.	Remove filters, tap clean and reinstall.	
	Filters at end of service life.	Replace with new filters.	
	Automatic filter cleaning no longer functional.	If filter cleaning system is not heard every 20 seconds, contact DeWALT service center.	
	Tank full.	Turn unit off and empty tank.	
	Hose is clogged.	Inspect and clear hose if clog is found.	
	Hose is not fully connected to tank.	Reinsert and ensure hose latch is fully engaged.	
	Hose is damaged.	Inspect hose for holes or tears. Replace if damage is found.	
	Dust extractor is not turned on by Wireless Tool Control equipped power tool or remote.	Dust extractor is not in Wireless Tool Control (Ⓟ) mode.	Move three position switch to Wireless Tool Control (Ⓟ) mode. Confirm LED is illuminated. If LED is not illuminated with the 3-position switch in Wireless Tool Control (Ⓟ) mode, contact DeWALT service center.
Remote/power tool is not paired to dust extractor.		Follow pairing steps.	
Remote/power tool is out of range of dust extractor.		Move dust extractor closer to remote/power tool.	
Wireless Tool Control remote coin cell is dead.		Replace coin cell and retry.	
Paired tool's battery is dead.		Ensure paired tool's battery is fully charged and fully inserted.	
Low battery voltage/poor battery connection.		Ensure battery is fully charged and fully inserted.	
Tank is full of liquid and sense circuit is tripped.		1. Turn the three position switch to the Off (0) position and remove battery. 2. Empty tank.	
Tool does not pair		Dust extractor is not in Wireless Tool Control (Ⓟ) mode.	Move three position switch to Wireless Tool Control (Ⓟ) mode. Confirm LED is illuminated. If LED is not illuminated with the 3-position switch in Wireless Tool Control (Ⓟ) mode, contact DeWALT service center.
		Tool is not Wireless Tool Control enabled.	Confirm that tool is Wireless Tool Control enabled.

