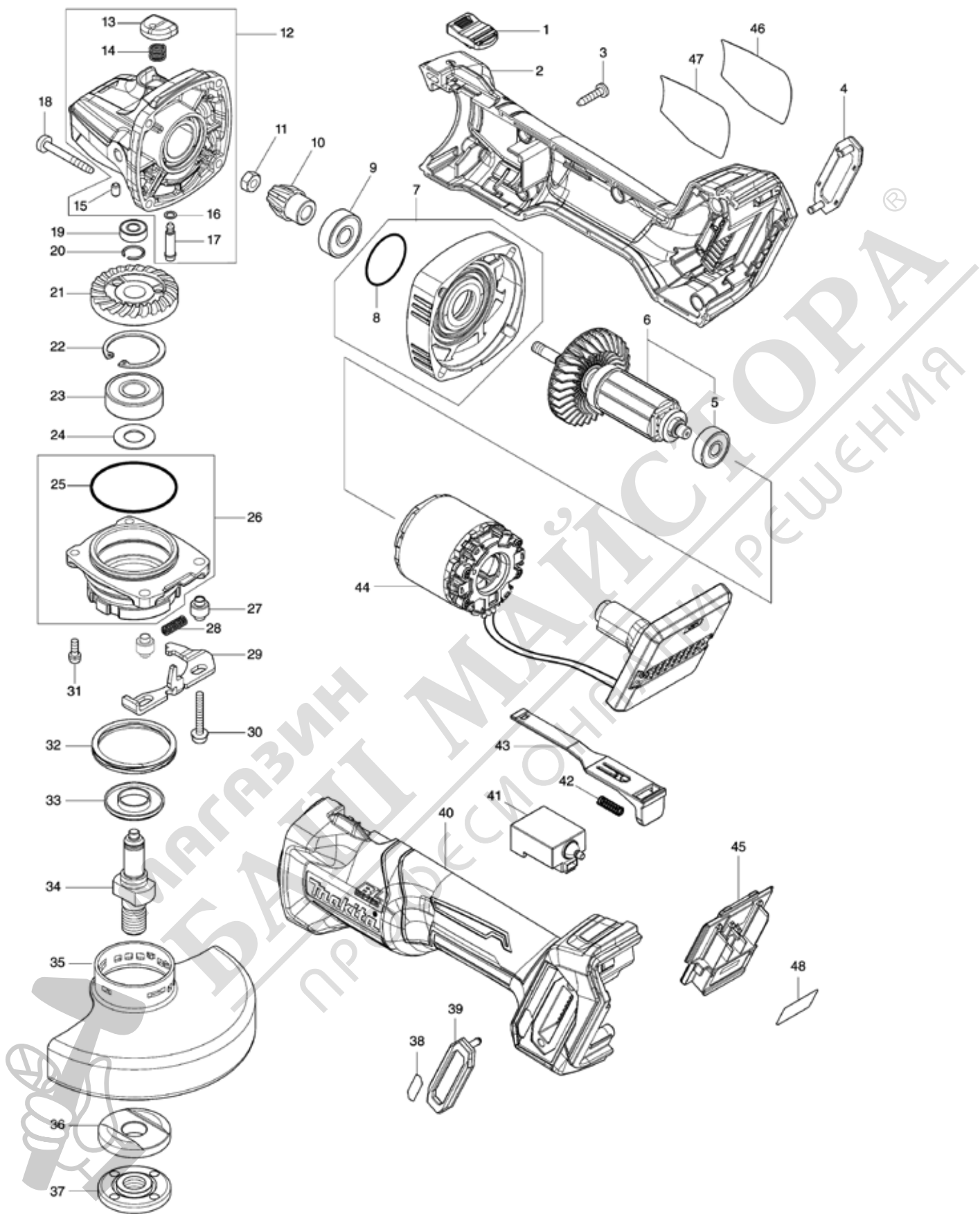


Model No.GA008G 125MM CORDLESS ANGLE GRINDER



Model No.GA008G 125MM CORDLESS ANGLE GRINDER

Position	Artikel-Nr.	Beschreibung	I/C	Stk.	New/Old	Opt. 1	Opt. 2	Hinweis
001	455447-7	SWITCH KNOB		1				
002	183N89-8	MOTOR HOUSING SET		1				
C10	263005-3	RUBBER PIN 6		2				
D10		INC. 40						
003	266326-2	TAPPING SCREW 4X18		5				
004	422563-0	DUST COVER		1				
005	210023-2	BALL BEARING 627DDW		1				
006	519595-7	ROTOR ASS'Y		1				
D10		INC. 5						
007	136190-4	GEAR HOUSING COVER ASS'Y		1				
D10		INC. 8						
008	213445-5	O-RING 26		1				
009	210042-8	BALL BEARING 629LLB		1				
010	226976-5	SPIRAL BEVEL GEAR 10		1				
011	252186-8	HEX. NUT M6		1				
012	136198-8	GEAR HOUSING ASS'Y		1				
D10		INC. 13-17						
013	412234-7	PIN CAP		1				
014	233072-2	COMPRESSION SPRING 8		1				
015	263002-9	RUBBER PIN 4		1				
016	213960-9	O RING 5		1				
017	256546-6	SHOULDER PIN 4		1				
018	266048-4	TAPPING SCREW 4X40		4				
019	210033-9	BALL BEARING 696ZZ		1				
020	233950-6	RING SPRING 11		1				
021	226862-0	SPIRAL BEVEL GEAR 37		1				
022	962151-6	RETAINING RING R-32		1				
023	211129-9	BALL BEARING 6201DDW		1				
024	253464-9	FLAT WASHER 12		1				
025	213622-9	O RING 45		1				
026	136196-2	BEARING BOX ASS'Y		1				
D10		INC. 25						
027	327322-6	SLEEVE 4		2				
028	232490-1	COMPRESSION SPRING 4		1				
029	347642-2	LEVER A		1				
030	911159-7	PAN HEAD SCREW M4X30		2				
031	911128-8	P.H.SCREW M4X16 WITH WR		2				
032	232542-8	SCROW WAVE SPRING 41		1				
033	347640-6	LABYRINTH RING		1				
034	327484-0	SPINDLE		1	*			
034-1	136260-9	SPINDLE ASS'Y	<	1				
D10		INC. 33						

Please order the parts with part number.

Print Date 12/3/2020

Model No.GA008G 125MM CORDLESS ANGLE GRINDER

Position	Artikel-Nr.	Beschreibung	I/C	Stk.	New/Old	Opt. 1	Opt. 2	Hinweis
035	347480-2	WHEEL COVER 125		1				
036	224415-9	INNER FLANGE 42		1				
037	224554-5	LOCK NUT 14-45		1				
038	8007R2-2	XGT LOGO LABEL		1				
039	422563-0	DUST COVER		1				
040	183N89-8	MOTOR HOUSING SET		1				
C10	263005-3	RUBBER PIN 6		2				®
D10		INC. 2						
041	651445-1	SWITCH FPM-1130		1				
042	233121-5	COMPRESSION SPRING 4		1				
043	412233-9	SWITCH LEVER		1				
044	629459-8	STATOR COMPLETE		1				
045	632P65-6	TERMINAL UNIT		1				
046	8008U5-3	CLEAR LABEL		1				
047	856U40-0	GA008G NAME PLATE		1				
048	856U44-2	GA008G SERIAL NO. LABEL		1				
A01	158237-4	GRIP 36 COMPLETE		1				
A02	A-80656	GRINDING WHEEL 125 WA36N		1				
A03	782423-1	LOCK NUT WRENCH 35		1				

Please order the parts with part number.

Print Date 12/3/2020



МАГАЗИН
БАШ МАШТОРА
ПРОФЕСИОНАЛНИ РЕШЕНИЯ