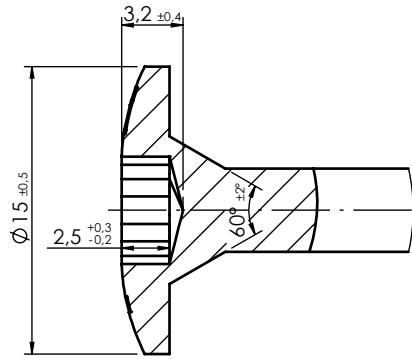
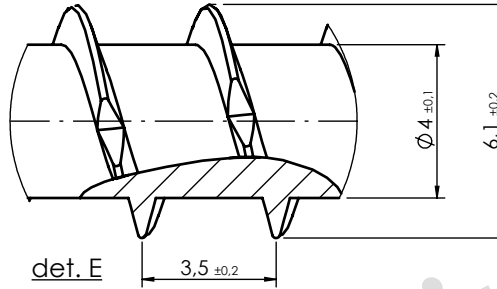


This document is the absolute property of DOMAX Sp. z o.o. This document must not be copied without the written permission of DOMAX Sp. z o.o. The contents thereof must not be disclosed to a third party nor be used for any unauthorized purpose. Contravention will be prosecuted.

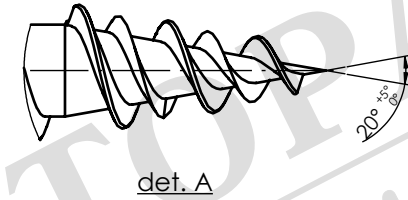
Revision				
Rev.	Explanation	Date	Revised by	Approved by



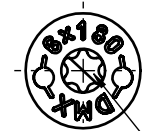
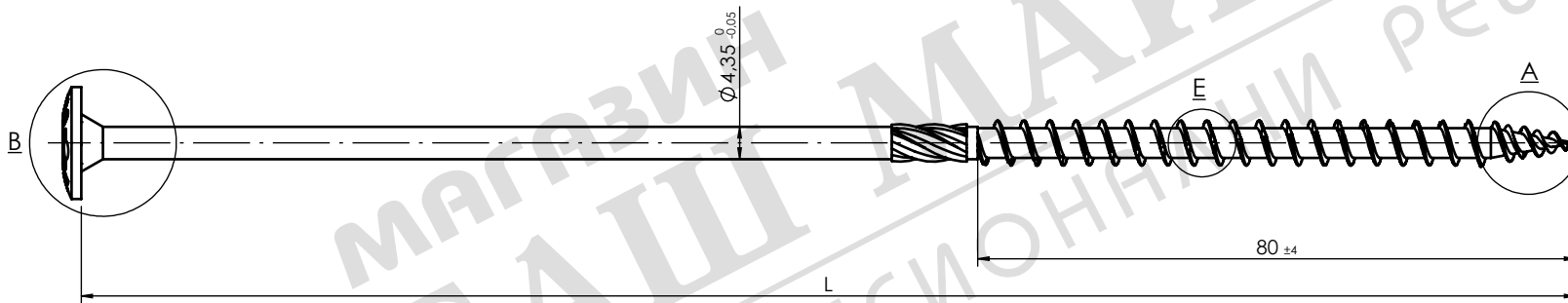
det. B



det. E



det. A



T 30 (wg. ISO 10664)

Index	Name	L	Tolerance	Lg	Tolerance	Surface [dm <sup>2</sup> ]	Weight [g]
320608	CT 6x80	80	± 2	50	± 2,5	0,21	12,1
	CT 6x90	90				0,22	13,1
320610	CT 6x100	100	± 2,5	80	± 3	0,23	13,3
320612	CT 6x120	120	± 3			0,27	15,3
320614	CT 6x140	140	± 3,5			0,29	17,6
320616	CT 6x160	160	± 4			0,32	19,9
320618	CT 6x180	180	± 4,5			0,35	22,2
320620	CT 6x200	200	± 5			0,38	24,6
320622	CT 6x220	220	± 5,5			0,40	26,9
320624	CT 6x240	240	± 6			0,43	29,2
320626	CT 6x260	260	± 6,5			0,46	31,5
320628	CT 6x280	280	± 7			0,49	33,8
320630	CT 6x300	300	± 7,5	0,51	36,1		



**Note:**

- Tolerancje ogólne wg. EN 22768 mK.
- Powłoka Fe/ZN 12c wg. EN ISO 2081

Design	D. Kozłowski		Checked		Approved	-	Note	
Drawn	D. Kozłowski		Format	A4	Scale	1:1	Material	Prełt $\varnothing$ 4,35 - 20MnB4
Index	16.10.2023	Date	Screw DMX CT 6		Weight	-	Sheet	1 / 1
<b>domax</b> DOMAX Sp. z o.o.		DMX CT 6		Rev	A			