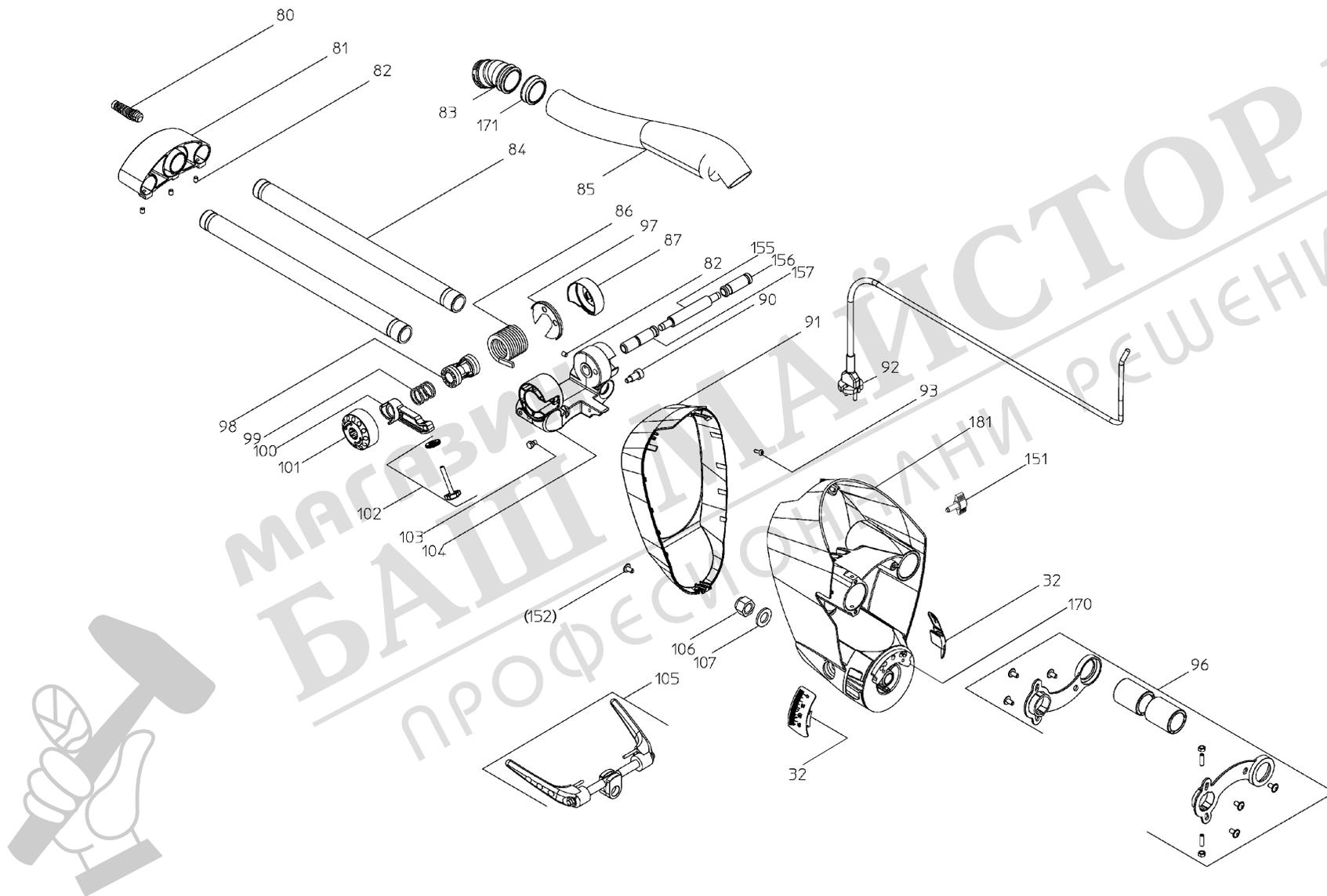
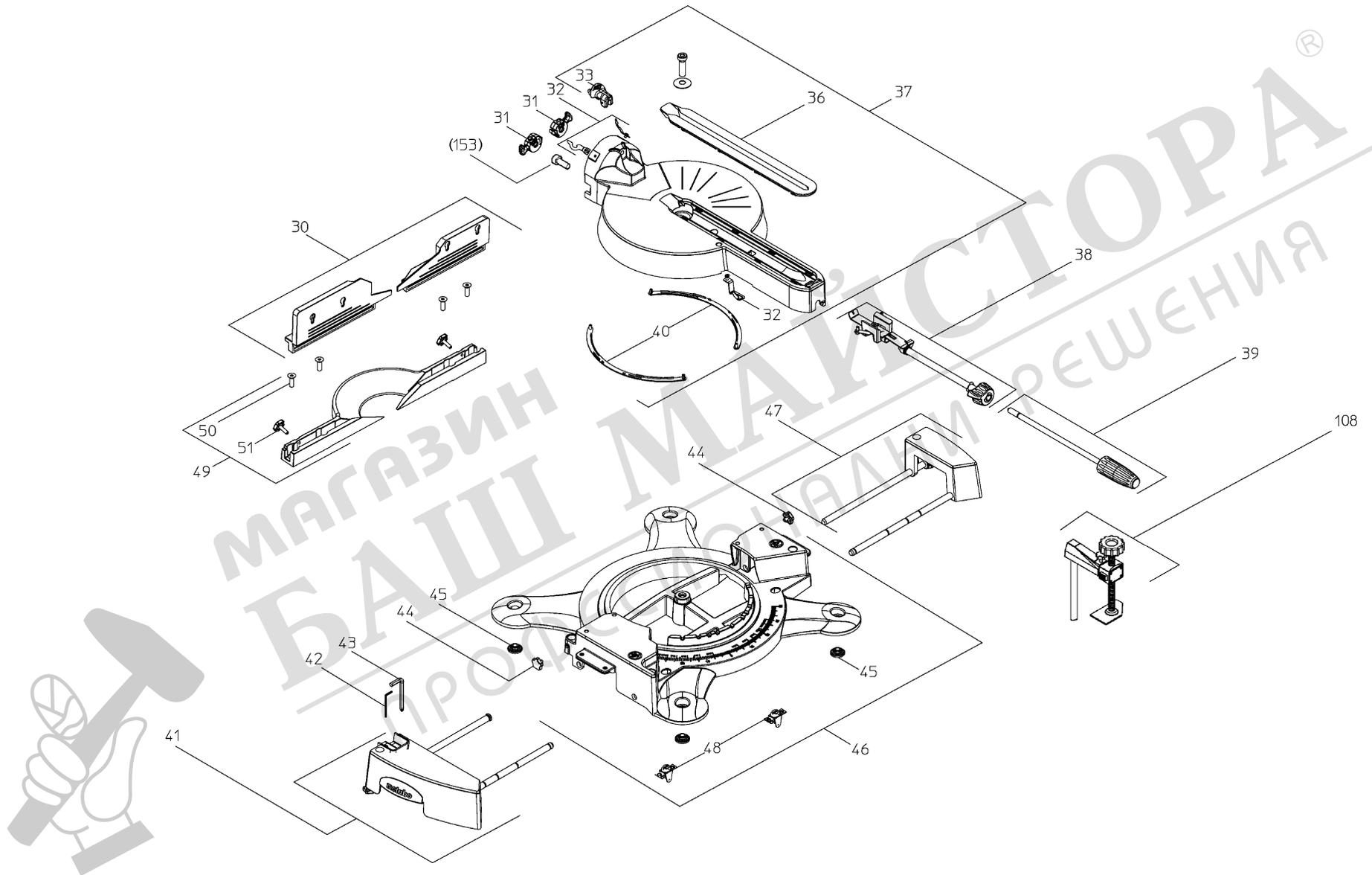


	Litzenfarben	Colour of strands	Couleur des cordons
BK	schwarz	black	noir
WH	weiß	white	blanc
BU	blau	blue	bleu
YE	gelb	yellow	jaune
RD	rot	red	rouge
TR	transparent	transparent	transparent
BN	braun	brown	brun
GY	grau	grey	gris
GNYE	grün-gelb	green-yellow	vert-jaune
BKWH	schwarz-weiß	black-white	noir-blanc
GN	grün	green	vert
OG	orange	orange	orange
VT	violett	violet	violet
TQ	türkis	turquoise	turquoise

	Bedeutung der Kurzzeichen	Meaning of the symbols	Interprétation des symboles
B	Stecker	plug	fiche
C	Kondensator	condenser	condensateur
D	Funktionsdrossel	interference suppression inductance	inductance d'antiparasitage
E	Elektronik-Baustein	electronic unit	unité électronique
I	Induktionsspule	induction coil	bobine d'inductance
K	Klemme	terminal	borne
L	Licht	light	lumière
M	Motor	motor	moteur
O	Überlastschutz	overload cut-out	déclencheur de surintensité
R	Drehrichtungsumschalter	reversing switch	commutateur droite-gauche
S	Schalter	switch	interrupteur
U	Umschaller	change-over switch	commutateur
X	Elektronik-Element	electronic element	élément électronique







Позиция	Количество	Тип номер	Описание	PG
1	1	1395739162	SAW SPINDLE BOLT M 8x20 left	20
2	1	1482736560	Blade collar, outer	22
3	1	1485221618	Blade collar, inner	23
4	1	1010736141	Wheel guard compl.	35
5	1	1010736745	Swivel lever compl.	26
6	1	8056736540	Transformator KGS Plus	31
7	1	343082650	Laser compl.	37
8	3	6172001805	Fillister head screw w.fill. head screw	11
9	1	8243740097	GROMMET	11
10	1	7233736370	Poly-rib belt	24
11	1	141150410	Serrated lock washer	12
12	1	1381736730	Belt guard	24
13	1	1010739230	Saw blade arrest compl.	20
14	1	7051722854	Pressure spring	13
16	1	1010739035	Transportation lock compl. KGS 216/254/3	19
18	6	6172001805	Fillister head screw w.fill. head screw	11
19	1	7051711623	Pressure spring	11
20	1	1381736799	lock lever lower Guard	11
22	1	1394729185	Rear lower guard	20
23	1	1010737202	Safety guard compl.	30
24	1	7051736405	Return spring	11
25	1	1381736861	Plastic strip	11
26	1	6400736810	Retaining ring shaft	11
27	1	1010736893	Flange bolt	33
30	1	1010737210	Auxiliary guide compl.	30
31	2	1010736257	bevel stop compl. KGS Plus	14
32	1	1010739108	Pointer compl. KGS 216/254/315 Plus	34
33	1	1010739124	Catch clamb compl KGS 216/254/315 Plus	22
36	1	1010739116	Table insert compl. KGS 216/254/315 Plus	20
37	1	1010739647	Turntable compl. KGS 254/315 Plus	46
38	1	1010739159	Turntable Accessories KGS 254/315 Plus	34
39	1	1010736249	Control grip compl. KGS Plus	23
40	2	1388739629	Slide block KGS 254/315 Plus	18
41	1	1010737407	Table side extension left	37
42	1	9102076823	ALLEN HEXAGON KEY SW 2,5 SCHWARZ	11
43	1	9102689833	ALLEN HEXAGON KEY	16
44	2	341704570	Star grip screw	13
45	4	341147920	Rubber foot	20
46	1	1010740300	Table KGS 254/315 Plus	55
47	1	1010737415	Table side extension right	37
48	2	1010737555	Extension detent compl. KS 254/305	21

Позиция	Количество	Тип номер	Описание	PG
49	1	1010736427	Stop compl.	30
50	4	6132002060	HEX.SOCKET COUNTERS.HEAD SCREW	11
51	2	341704580	Star grip screw	13
52	4	141150130	Washer	11
53	4	141113850	Cap screw	12
55	1	8450736393	Cable harness,KGS 254 I Plus	27
56	1	8116740398	OVERLOAD RELA 230V 12A	19
57	1	8050736440	Condenser,KGS 254 I Plu	20
58	1	1382736458	Cover sheet	13
60	1	316057070	Fan with fan cover	16
64	1	1010740432	Saw blade shaft compl.	30
65	1	1381736985	Cover plate	12
66	0,004	344131230	Teflonspray	33
67	1	1010736125	Motor compl.	56
69	8	341702050	Screw	11
70	1	1010736168	Handle compl.	31
71	1	8111737712	On-off switch KS 254/305	27
74	1	141150110	Washer	11
80	1	8402736722	Strain relief	13
81	1	1380736582	Rear pivot	25
82	6	6164029245	Grub screw w.internal hexagon	11
83	1	1381691566	DUST EXTRACTION PORT 44/35-44/32	16
84	2	1385736475	Feed rod	45
85	1	1381736535	Suction hose	16
86	1	7051736600	Torsion spring	19
87	1	1381736594	Cover cap	12
90	1	1485735689	Stop screw	19
91	1	1381736322	Cover pivot	20
92	1	8402736640	Cable w.socket,3x1,0x2900 2xAH/1	25
93	1	341702050	Screw	11
96	1	1010739434	Rep-Set linear-bearing compl.	34
97	1	7631738677	Sealing washer	11
98	2	1381736497	Bushing (torsion spring bush)	11
99	1	7051736413	Pressure spring	11
100	1	1380736787	Depth stop	19
101	1	1381736519	Control knob	13
102	1	6143736880	Knurled thumb screw	13
103	1	6104220876	Hex fit bolt	14
104	1	1380736469	Front pivot	31
105	1	1010739027	Clamping lever compl. KGS 216/254/315 PI	30
106	1	141132000	Hex nut self-locking	11

107	1	141156740	Washer	11
108	1	1010737440	Work clamb assy compl. KS Plus	34
110	1	338132080	Indication label,Laser	
151	1	341704560	Thumbscrew	14
152	1	399999990	Part not needed	
153	1	6143075247	Cap screw w.internal hexagon	12
154	1	399999990	Part not needed	
155	1	341059660	Shaft	23
156	1	341005920	Sleeve left	22
157	1	341005910	Sleeve right	23
170	1	343394090	Lever	21
171	1	1381212943	END SLEEVE JOINER	13
180	1	1010736184	Motor bracket compl.	51
181	1	1010736206	Pivot compl.,KGS 254/254I Plus	53
190	1	141122790	Fillister head screw	11



МАГАЗИН
БАШ

МАЙСТОР
ПРОФЕСИОНАЛНИ РЕШЕНИЯ