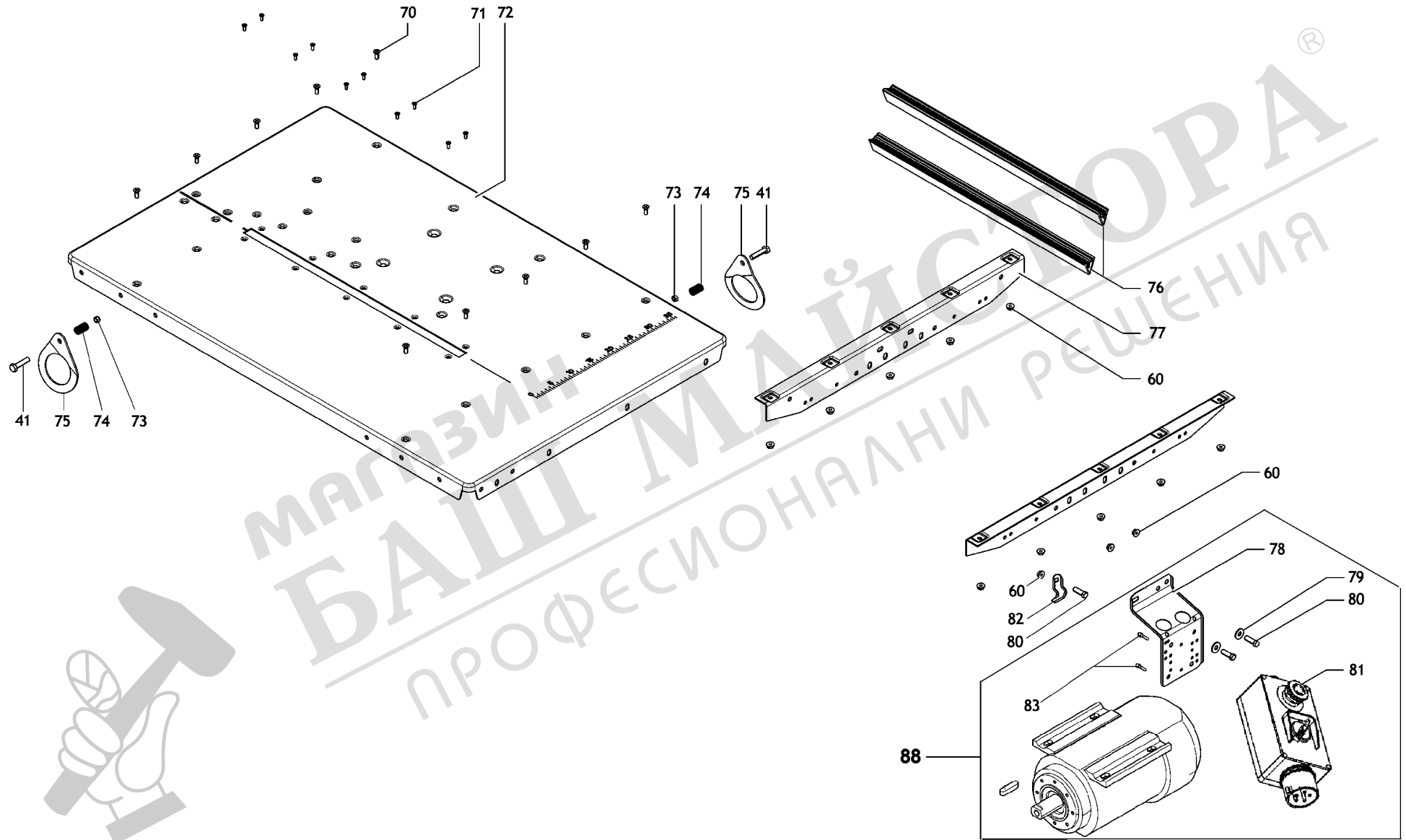
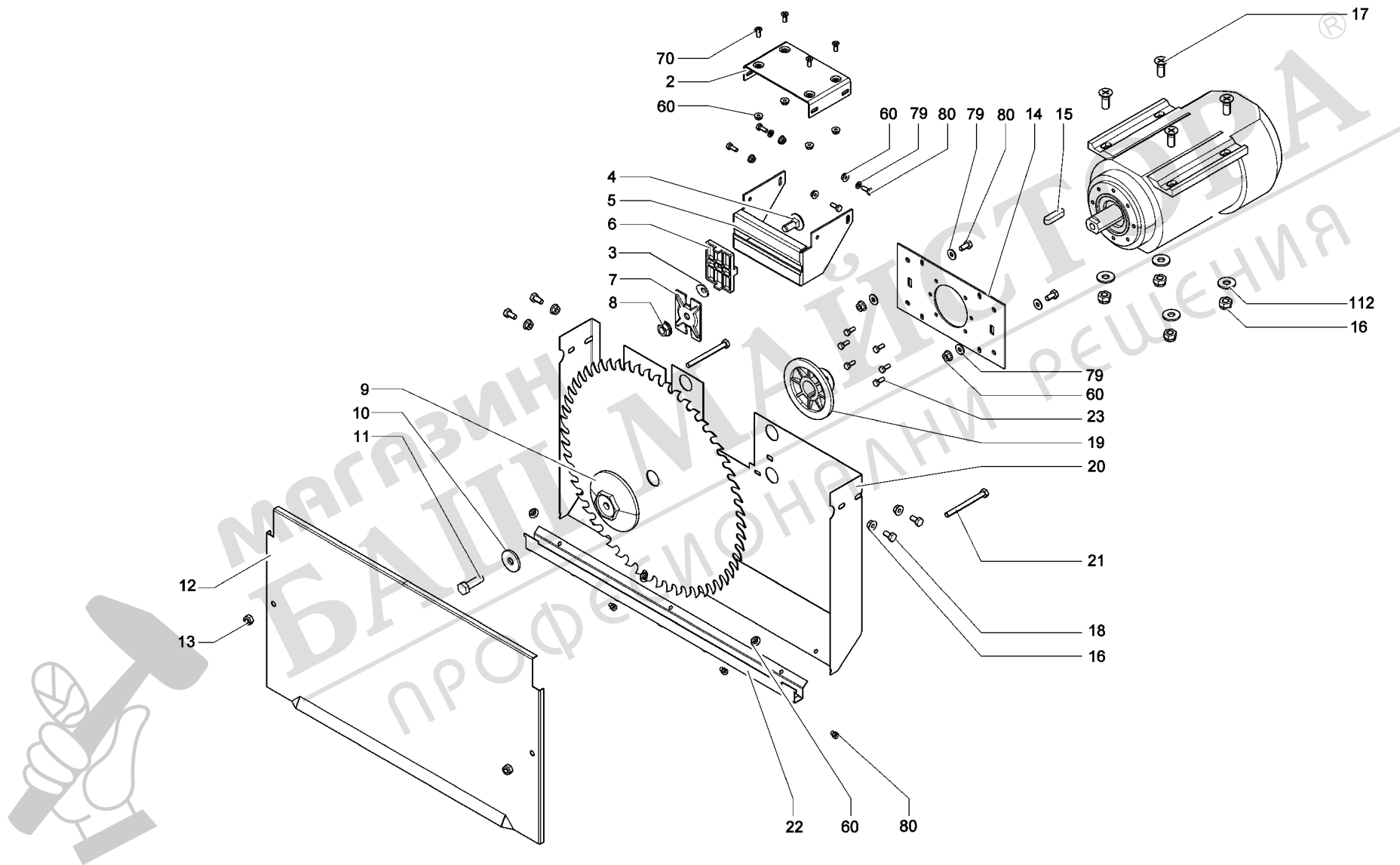


	Litzenfarben	Colour of strands	Couleur des cordons
BK	schwarz	black	noir
WH	weiß	white	blanc
BU	blau	blue	bleu
YE	gelb	yellow	jaune
RD	rot	red	rouge
TR	transparent	transparent	transparent
BN	braun	brown	brun
GY	grau	grey	gris
GNYE	grün-gelb	green-yellow	vert-jaune
BKWH	schwarz-weiß	black-white	noir-blanc
GN	grün	green	vert
OG	orange	orange	orange
VT	violett	violet	violet
TQ	türkis	turquoise	turquoise

	Bedeutung der Kurzzeichen	Meaning of the symbols	Interprétation des symboles
B	Stecker	plug	fiche
C	Kondensator	condenser	condensateur
D	Funkentstördrossel	interference suppression inductance	inductance d'antiparasitage
E	Elektronik-Baustein	electronic unit	unité électronique
I	Induktionsspule	induction coil	bobine d'inductance
K	Klemme	terminal	borne
L	Licht	light	lumière
M	Motor	motor	moteur
O	Überlastschutz	overload cut-out	déclencheur de surintensité
R	Drehrichtungsumschalter	reversing switch	commutateur droite-gauche
S	Schalter	switch	interrupteur
U	Umschalter	change-over switch	commutateur
X	Elektronik-Element	electronic element	élément électronique

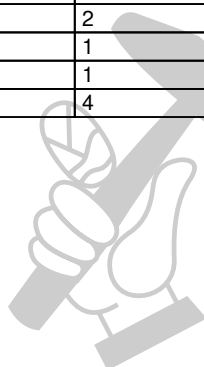


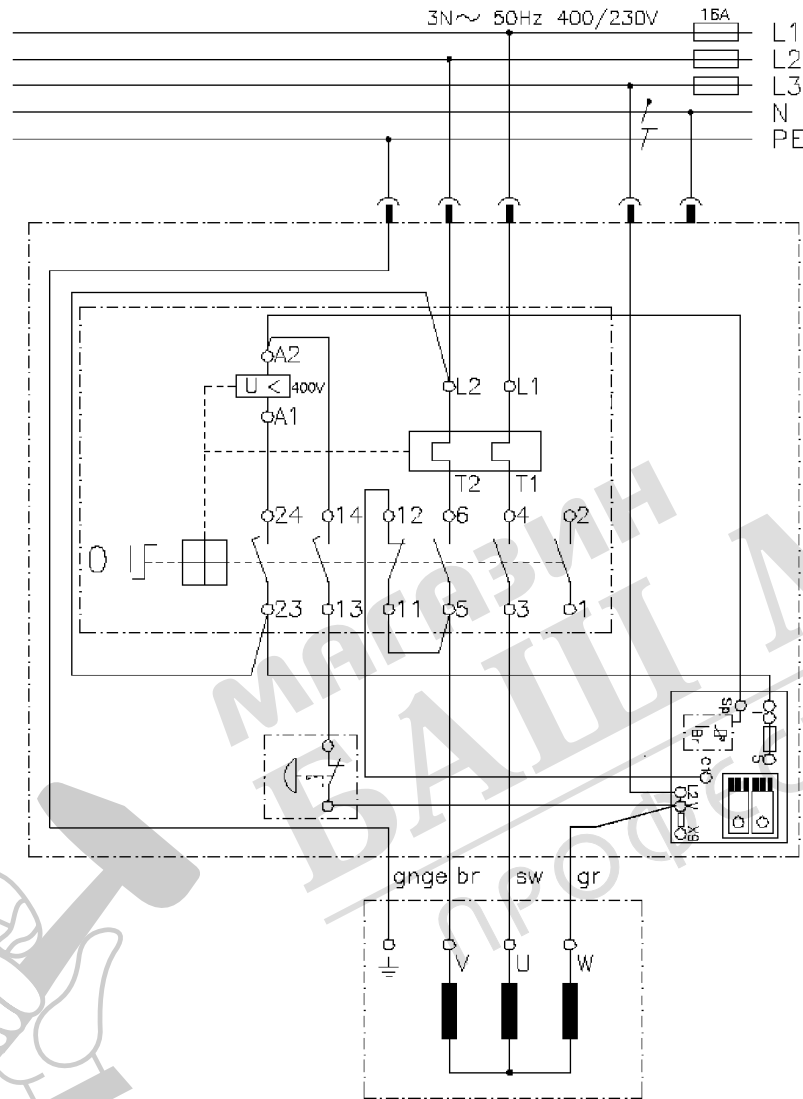


Позиция	Количество	Тип номер	Описание	PG
2	1	1382206289	BRACKET BL 2,5X195X100	15
3	1	7053063343	CUP SPRING	11
4	1	6110149253	CUP SQUARE NECK SCREW M 12X40 VERZ.	12
5	1	1382731987	TABLE PANEL BL 2,50X736X1071	26
6	1	2380075353	riving knife carrier	21
7	1	1382213749	PRESSURE PLATE BL 2,99X80X60	12
8	1	6209002432	FLANGE NUT	16
9	1	1380214578	BLADE COLLAR, OUTER	32
10	1	6305002508	WASHER B 13 VERZ.	11
11	1	6103083956	HEXAGON HEAD SCREW M 12X1,5 LINKS X30 VE	19
12	1	1382206327	CHIP CASE COVER BL 1,5X684X391	35
14	1	1482206294	MOTOR SEAT BL 2,99X134X230	20
16	55	6209110995	Flange nut	11
17	4	6132605910	HEX.SOCKET COUNTERS.HEAD SCRE M 10X30 VE	11
18	40	6103001178	Hex head screw	11
19	1	1380214560	BLADE COLLAR, INNER RD 30	30
20	1	1382206319	CHIP CASE BL 1,5X812X410	31
21	2	6101022046	HEXAGON HEAD SCREW M 8X90 VERZ.	12
22	1	1382730808	Verlaengerung Spaenek. BL 1,50x82,5x662	27
23	6	6103001356	HEXAGON HEAD SCREW M 6X16 VERZ.FLECKBESC	11
24	1	1392205418	SAFETY LEVER BL 2,50X30X100	15
30	4	141150140	Washer	11
31	4	141132030	Hex nut	11
41	2	141113330	Hexagon head screw	12
60	33	6209114230	Flange nut	11
70	14	6131047582	CROSS RECESSED FLAT HEAD SCREW M 6X16 VE	11
71	10	141123420	Self-tapp. counters. screw	11
72	1	1382731405	TABLE PANEL BL 2,50X736X1071	48
73	4	6202002305	HEXAGON NUT, PREV. TORQUE TYPE	11
74	2	7051207240	PRESSURE SPRING	11
75	2	1492103230	LIFTING EYE 2,99X90X112	15
76	2	1393205551	TABLE INSERT EXTRUSION 549,5 +/-0,3 MM	27
77	2	1392205035	CROSSHEAD BL 2,50X86X656	22
78	1	1382214133	SWITCH PLATE BL 2,99X85X180	25
79	8	141150130	Washer	11
80	10	141113290	Hexagon head screw	11
81	1	8132731935	SWITCH SSK UC400V M=7,8A PHW K3000B/ST6/	57
82	1	8242051328	CABLE CLIP	13
83	4	6186602763	Fillister head screw w.fill. head screw	11
88	1	0100015501	MOTOR, CIRCULAR SAW BENCH 5,50 DNB	70
90	1	1382693309	EXTENSION PLATE BL 2,00X572X832 TKHS315M	40

Позиция	Количество	Тип номер	Описание	PG
91	4	141114860	Hexagon head screw	12
92	2	1382693856	ANGLE BRACKET BL 2,50X30X116	23
93	4	6103005270	HEXAGON HEAD SCREW M 10X20 VERZ.	11
94	4	1382641074	DIAGONAL STRUT BL 2,5X30X591	20
95	4	1010730674	Bein BKH/BKS	32
96	4	1382641031	STANCHION BL 1,5X118X703	25
97	4	1382641058	DIAGONAL STRUT BL 2,5X30X830	26
98	1	1395205516	SCREW 6KT 17X30 M 8	14
99	1	6127059207	Cap screw	11
100	2	1382706559	SUPPORT BL 1,00X70X885 TVL-BKH/BKS	25
110	1	1382731340	TABLE PANEL cpl.	31
111	2	6103030259	HEXAGON HEAD SCREW M 8X80 VERZ.	11
112	16	141151340	Washer	11
113	5	6103004916	HEXAGON HEAD SCREW M 6X35 VERZ.	11
114	1	7051731284	LEG SPRING D=1,5 X 180	20
115	2	1010731972	Bearing block kpl. BKH/BKS-Plus	25
116	1	1010731964	RIP FENCE	37
117	1	7051731292	LEG SPRING D=1,5 X 180	20
118	2	1485731306	BUSHING RD 18X5	16
119	2	1381731312	BUSHING RD 18X5	11
120	1	1010731956	Wheel guard,kpl BKH/BKS Plus	48
121	1	1482731372	SPLITTING BLADE BL 3,00X214X304 BKH/BKS4	50
122	4	141130650	Hexagonal lock nut	12
123	8	2391202772	GLIDE PIECE	11
124	4	6130019585	SLOTTED FLAT HEAD SCREW M 6X20 VERZ.	11
125	2	141130100	Hexagonal nut	11
126	2	1381730669	SUPPORTBLOCK 140x30x53	37
127	2	141113940	Cap screw	11
130	1	1010731743	RIP FENCE	50
131	2	6110000616	CUP SQUARE NECK SCREW M 6X40 VERZ.	11
132	2	1392201587	GUIDE PLATE, FLIPSTOP	11
133	2	1391019971	LAMELLAR PLUG 60X25 VL SCHWARZ	12
134	1	1010731450	Rip fence	36
135	2	7005658068	WING NUT	13
136	1	1383730720	AUXILIARY FENCE EXTRUSION	34
137	2	6442100576	SPACER SLEEVE RD 15/6X12	13
138	1	7052078118	CABLE CLIP	13
139	2	141122870	Self-tap. fill. h. screw	11
140	1	6632111175	BOLT WITH HEAD	13
141	1	1392205620	Clamping plate,BL 1X26X91,5	12
142	1	7016050711	STARLOCK	11

143	1	1380731386	CAM-LOCK LEVER	19
144	1	1381731843	HANDLE WITH RED INSERT	22
145	2	6110000640	CUP SQUARE NECK SCREW M 8X25 VERZ.	11
146	4	6172015687	CROSS REC'D PAN HEAD TAP.SCREW	11
147	2	1492091649	END PIECE BL 2X26X35	18
148	1	1383731590	FENCE GUIDE EXTRUSION 543,5 MM	31
150	2	1482730767	Halter BL 2,99x79x207	26
151	2	1381730715	Lamellenstopfen RD 25 1-3	11
152	3	6172028215	Fillister head screw	11
153	1	1110205593	ANGLE SCALE	22
154	2	6172091014	Fillister head screw	11
155	1	1110205607	VERNIER SCALE 1,00	26
156	1	2391205615	CARRIER, VERNIER SCALE	13
157	2	6205029131	HEXAGON THIN NUT	11
158	1	6161029309	Grub screw	11
159	1	1395205400	HEXAGON FIT BOLT SW 19X42	33
160	1	6302085941	WAVE SPRING WASHER B 12 VERZ.	11
161	1	2380730793	EXTENTION MITRE FENCE	21
162	2	141110270	Hexagon head screw	11
163	1	1390205739	MITRE FENCE	37
164	1	141110290	Hexagon head screw	12
165	1	141151940	Washer	11
166	1	2010200922	MITRE FENCE	32
167	1	2391205470	GLIDE PIEC	13
168	1	6110091603	CUP SQUARE NECK SCREW M 10X30 VERZ.	11
169	1	1485730741	Fuehrung Queranschlag RD 25x2,0x1040	31
170	1	1388680470	SLIDING HANDLE RED	31
171	2	1492102829	Key	20
172	1	1394201630	Push stick	19
173	2	2391205283	GUIDE PIECE	19
175	1	1010014146	MITRE FENC	46
176	1	7006073730	RATCHET LOCK LEVER, FEMALE M 10 IG 18 MM	21
177	4	141132030	Hex nut	11





	Litzenfarben	Colour of strands	Couleur des cordons
BK	schwarz	black	noir
WH	weiß	white	blanc
BU	blau	blue	bleu
YE	gelb	yellow	jaune
RD	rot	red	rouge
TR	transparent	transparent	transparent
BN	braun	brown	brun
GY	grau	grey	gris
GNYE	grün-gelb	green-yellow	vert-jaune
BKWH	schwarz-weiß	black-white	noir-blanc
GN	grün	green	vert
OG	orange	orange	orange
VT	violett	violet	violet
TQ	türkis	turquoise	turquoise

	Bedeutung der Kurzzeichen	Meaning of the symbols	Interprétation des symboles
B	Stecker	plug	fiche
C	Kondensator	condenser	condensateur
D	Funkentstördrossel	interference suppression inductance	inductance d'antiparasitage
E	Elektronik-Baustein	electronic unit	unité électronique
I	Induktionsspule	induction coil	bobine d'inductance
K	Klemme	terminal	borne
L	Licht	light	lumière
M	Motor	motor	moteur
O	Überlastschutz	overload cut-out	déclencheur de surintensité
R	Drehrichtungsumschalter	reversing switch	commutateur droite-gauche
S	Schalter	switch	interrupteur
U	Umschalter	change-over switch	commutateur
X	Elektronik-Element	electronic element	élément électronique