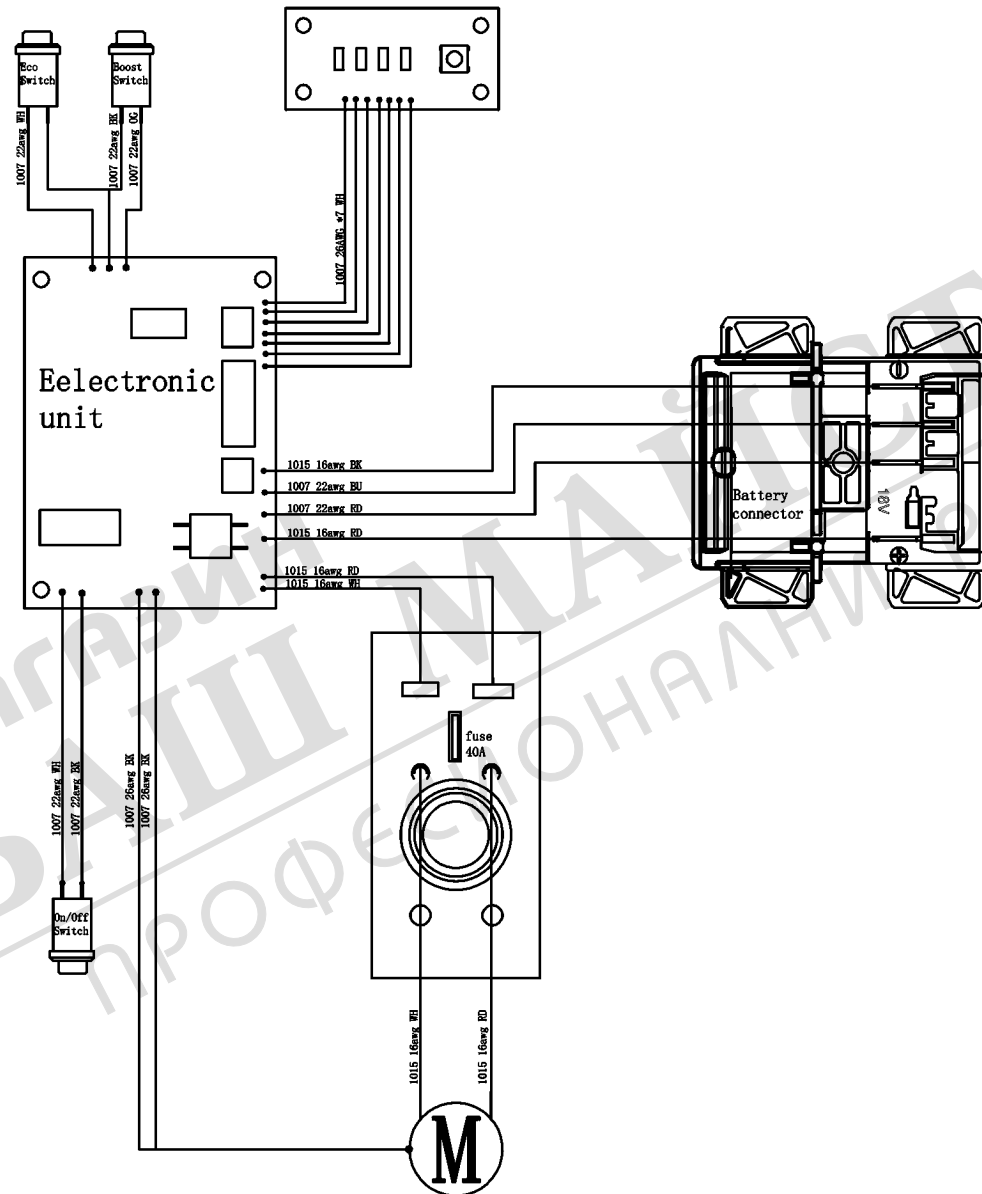


Позиция	Количество	Тип номер	Описание	PG
1	4	344113770	Rubber foot	15
2	1	343446760	Container	31
3	26	141120910	Self-tapp. cap screw	11
4	2	141150120	Washer	11
5	2	343445700	Latch	15
6	1	343445680	Filter	20
7	1	344113780	Gasket	16
8	2	343445650	clamp	16
9	1	343086470	Electronic unit	35
10	5	341722920	Screw 3,5X13	11
11	1	316096790	Valve compl.	19
12	1	316096800	Motor w.housing	40
13	1	344113790	shoulder strap	26
14	1	343411750	Switch	19
15	2	344113680	BELT ANCHORAGE	24
16	1	316096810	Switch cpl.	17
17	1	343445630	Carry Handle	19
18	1	316096820	Latch f. cover compl.	19
19	1	338129050	Indication label	12
20	1	343445760	Rotary switch	15
21	1	343086480	Printed circuit battery display	20
22	4	341722930	Screw 2,2 x 4,5	11
23	1	316096830	Sealing f. motor cpl.	25
24	1	316096840	Housing compl.	44
25	1	338069380	Rating plate	12
26	1	343438220	Contact pin carrier	14
27	1	342051090	Flat spring	11
28	1	343439450	Locking piece	12
29	1	316096850	Housing f. battery compl.	22
30	1	343445690	Knob	16
31	2	343446750	Holder	16
33	1	630320000	Suction nozzle 120 mm	
34	1	630323000	Crevice nozzle 250 mm	
35	1	630176000	Stretch-Hose Ø-32mm, L 0,7-3,5m	
36	1	630172000	Pleated Filter for AS 18 L PC	
37	1	630173000	5 Fleece Filter Bags - 7.5 l - AS 18L PC	
38	1	399999990	Part not needed	
95	1	343439680	Cover cap	11
1001	1	338506350	Wiring diagram	



МАГАЗИНЫ МАШИНОСТРОЕНИЯ
БАЗИЛЬ ПРОФЕССИОНАЛЬНЫЕ РЕШЕНИЯ