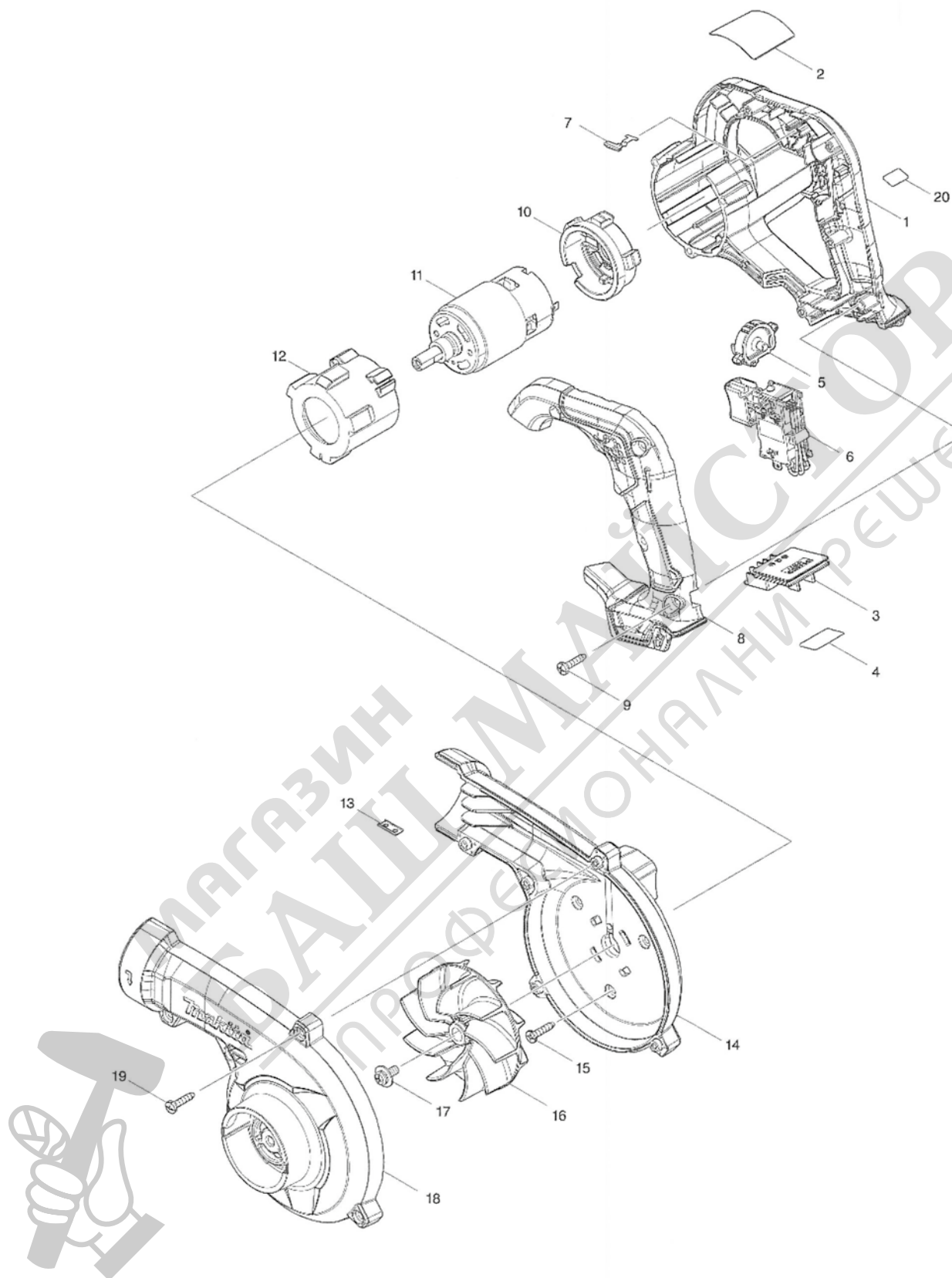


Model No.UB100D CORDLESS BLOWER



POS. NO	PART NO.	DESCRIPTION	USED QTY	NOTES
001		183R73-7 MOTOR HOUSING SET	1	
001	D10	INC. 8		
002		857R07-3 UB100D NAME PLATE	1	
003		644813-5 TERMINAL	1	
004		857R14-6 UB100D SERIAL NO. LABEL	1	
005		412573-5 DIAL	1	
006		632R61-6 SWITCH UNIT	1	
006	C10	688165-4 LINE FILTER	1	
007		232620-4 LEAF SPRING	1	
008		183R73-7 MOTOR HOUSING SET	1	
008	D10	INC. 1		
009		266326-2 TAPPING SCREW 4X18	5	
010		422589-2 MOTOR RUBBER RING B	1	
011		629A20-7 DC MOTOR	1	
012		422588-4 MOTOR RUBBER RING A	1	
013		345998-7 SET PLATE	1	
014		183R77-9 FAN HOUSING SET	1	
014	C10	8012T7-9 CAUTION LABEL	1	
014	D10	INC. 18		
015		266326-2 TAPPING SCREW 4X18	3	
016		240210-9 FAN 85	1	
017		265B25-5 PAN HEAD SCREW M5X12 WITH WG	1	
018		183R77-9 FAN HOUSING SET	1	
018	C10	8012T7-9 CAUTION LABEL	1	
018	D10	INC. 14		
019		266326-2 TAPPING SCREW 4X18	5	
020		8022C7-3 SOUND 87DB LABEL	1	
A01		123245-4 NOZZLE ASS'Y	1	
A01	C10	454703-2 JOINT	1	

