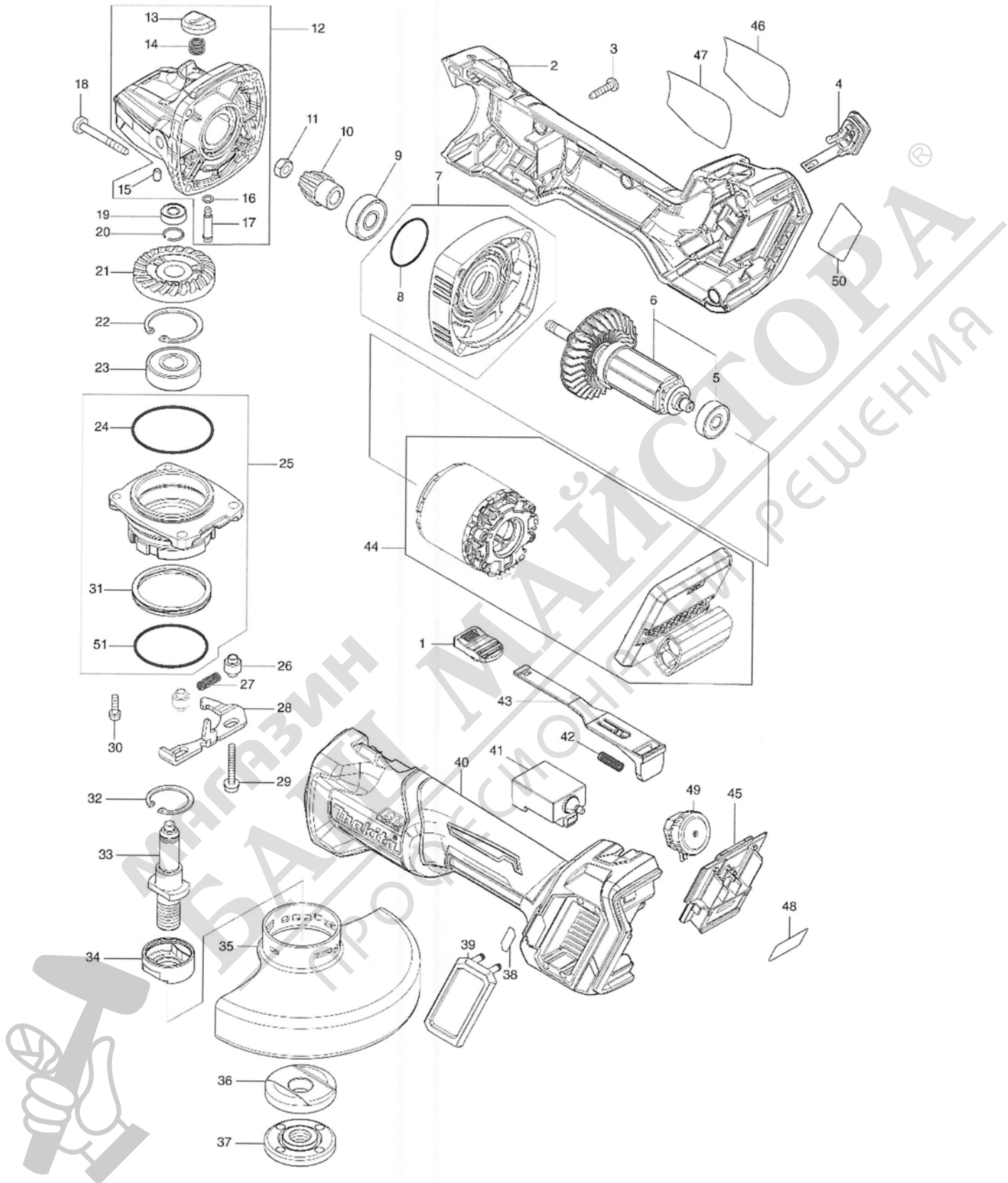
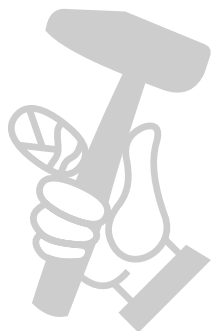


Model No.GA023G 125MM CORDLESS ANGLE GRINDER



POS. NO.	PART NO.	DESCRIPTION	USED QTY	MODEL	NOTES
001		455447-7 SWITCH KNOB	1	GA023G	
002		183P76-9 MOTOR HOUSING SET	1	GA023G	
002	C10	263005-3 RUBBER PIN 6	2	GA023G	
002	D10			GA023G	
003		266326-2 TAPPING SCREW 4X18	5	GA023G	
004		140G30-2 CAP COMPLETE	1	GA023G	
004	C10	213218-6 O RING 16	1	GA023G	
004	C20	818H48-4 CAP LABEL	1	GA023G	
005		210023-2 BALL BEARING 627DDW	1	GA023G	
006		519595-7 ROTOR ASS'Y	1	GA023G	
006	D10			GA023G	
007		136190-4 GEAR HOUSING COVER ASS'Y	1	GA023G	
007	D10			GA023G	
008		213445-5 O-RING 26	1	GA023G	
009		210042-8 BALL BEARING 629LLB	1	GA023G	
010		226976-5 SPIRAL BEVEL GEAR 10	1	GA023G	
011		252186-8 HEX. NUT M6	1	GA023G	
012		136198-8 GEAR HOUSING ASS'Y	1	GA023G	
012	D10			GA023G	
013		412234-7 PIN CAP	1	GA023G	
014		233072-2 COMPRESSION SPRING 8	1	GA023G	
015		263002-9 RUBBER PIN 4	1	GA023G	
016		213960-9 O RING 5	1	GA023G	
017		256546-6 SHOULDER PIN 4	1	GA023G	
018		266048-4 TAPPING SCREW 4X40	4	GA023G	
019		210033-9 BALL BEARING 696ZZ	1	GA023G	
020		233950-6 RING SPRING 11	1	GA023G	
021		226862-0 SPIRAL BEVEL GEAR 37	1	GA023G	
022		962151-6 RETAINING RING R-32	1	GA023G	
023		211129-9 BALL BEARING 6201DDW	1	GA023G	
024		213622-9 O RING 45	1	GA023G	
025		136262-5 BEARING BOX ASS'Y	1	GA023G	
025	D10			GA023G	
026		327322-6 SLEEVE 4	2	GA023G	
027		232490-1 COMPRESSION SPRING 4	1	GA023G	
028		347641-4 LEVER B	1	GA023G	
029		911159-7 PAN HEAD SCREW M4X30	2	GA023G	
030		911138-5 P.H.SCREW M4X20 WITH WR	2	GA023G	
031		232542-8 SCROW WAVE SPRING 41	1	GA023G	
032		962105-3 RETAINING RING R-26	1	GA023G	
033		326672-6 SPINDLE	1	GA023G	
034		310514-4 LEAD FLANGE	1	GA023G	

035		347480-2	WHEEL COVER 125	1	GA023G	
036		224447-6	INNER FLANGE 42B	1	GA023G	
037		224554-5	LOCK NUT 14-45	1	GA023G	
038		8005T5-8	XGT LOGO LABEL	1	GA023G	
039		422610-7	DUST COVER	1	GA023G	
040		183P76-9	MOTOR HOUSING SET	1	GA023G	
040	C10	263005-3	RUBBER PIN 6	2	GA023G	
040	D10		INC. 2		GA023G	
041		651445-1	SWITCH FPM-1130	1	GA023G	
042		233121-5	COMPRESSION SPRING 4	1	GA023G	
043		412233-9	SWITCH LEVER	1	GA023G	
044		629498-8	STATOR COMPLETE	1	GA023G	
045		632P65-6	TERMINAL UNIT	1	GA023G	
046		8008U5-3	CLEAR LABEL	1	GA023G	
047		857H22-7	GA023G NAME PLATE	1	GA023G	
048		857H28-5	GA023G SERIAL NO. LABEL	1	GA023G	
049		620D30-5	DIAL CIRCUIT	1	GA023G	
050		8015J1-9	INDICATION LABEL	1	GA023G	
051		213510-0	O RING 36	1	GA023G	
A01		158237-4	GRIP 36 COMPLETE	1	GA023G	
A02		A-80656	GRINDING WHEEL 125 WA36N	1	GA023G	
A03		782423-1	LOCK NUT WRENCH 35	1	GA023G	



МАГАЗИН
БАШ МАНУАЛ
ПРОФЕСИОНАЛНА РЕУЧЕННЯ