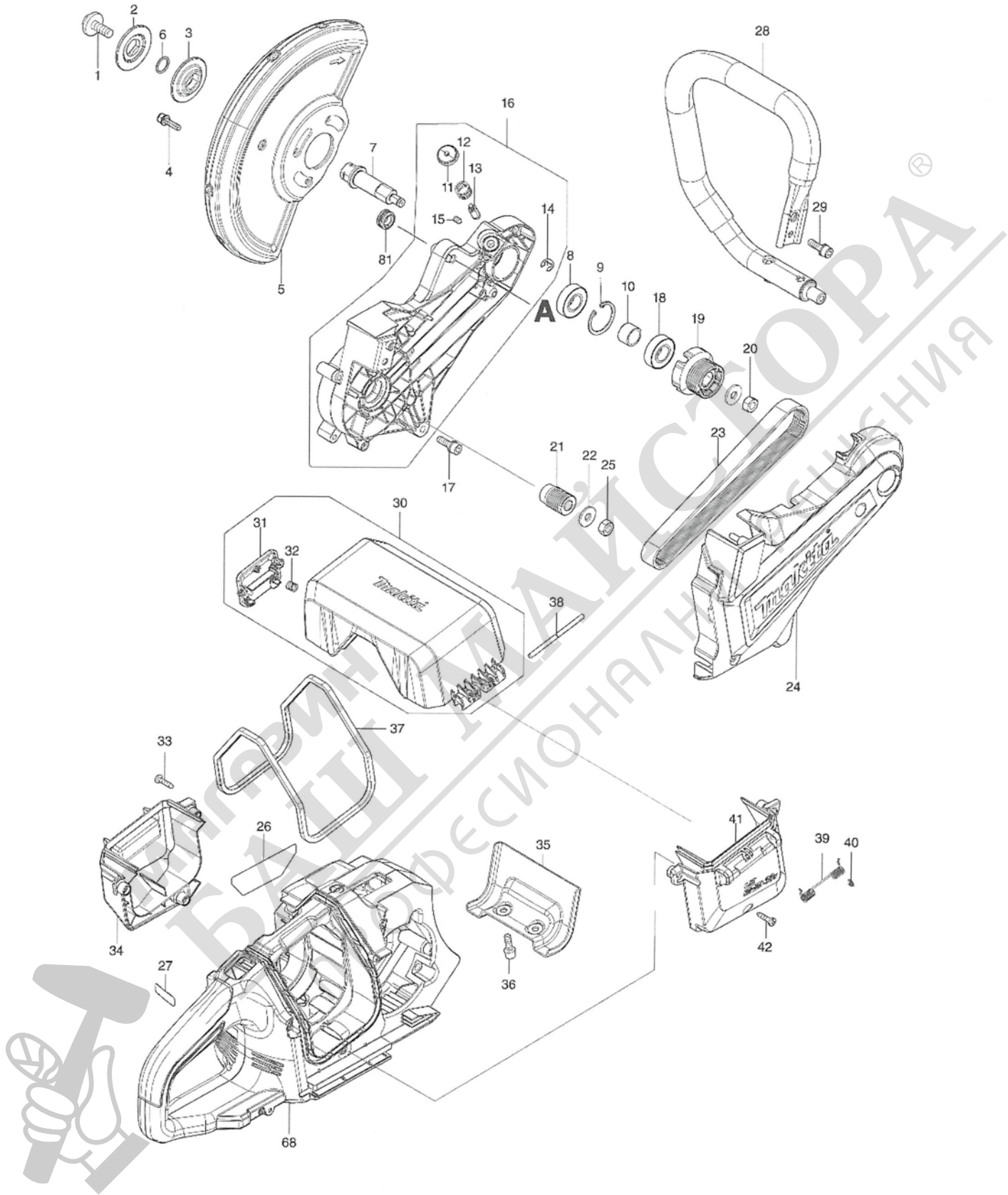
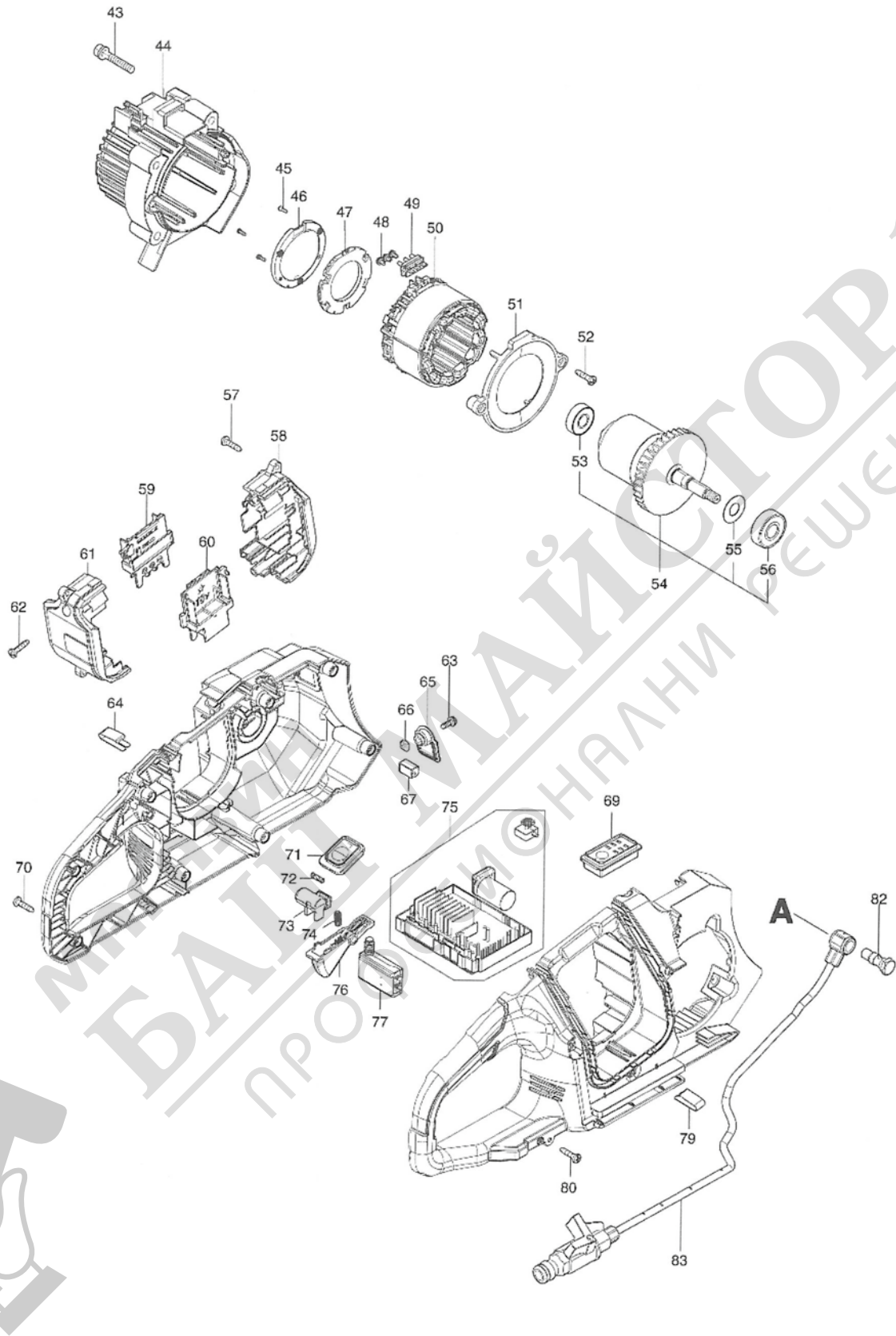


Model No.DCE090 230MM CORDLESS POWER CUTTER



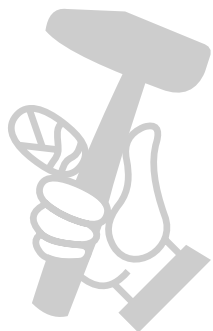
Model No.DCE090 230MM CORDLESS POWER CUTTER



POS. NO.	PARTS NO.	DESCRIPTION	USED QTY	NOTES
001	266690-1	HEX. BOLT M8X25	1	
002	224604-6	OUTER FLANGE 46	1	
003	224605-4	INNER FLANGE 46	1	
004	922233-6	H.S.H.BOLT M5X20 WITH WR	3	
005	162742-5	WHEEL COVER 230	1	
006	213162-7	O RING 14	1	
007	327532-5	SPINDLE	1	
008	211232-6	BALL BEARING 6002LLU	1	
009	962151-6	RETAINING RING R-32	1	
010	257491-8	SLEEVE 15	1	
011	451485-7	PIN CAP	1	
012	233089-5	COMPRESSION SPRING 12	1	
013	256947-8	SHOULDER PIN 7	1	
014	961012-7	STOP RING E-6	1	
015	265880-3	H.S.SET SCREW(CONE POINT)M5X8	1	
016	136250-2	CUTTING DEVICE ASSY	1	
016	D10	INC. 11-15		
017	922333-2	HEX.SOCKET HD BOLT M6X20	1	
018	211232-6	BALL BEARING 6002LLU	1	
019	222197-7	V PULLEY 7-34.6	1	
020	931402-8	HEX. NUT M8	1	
021	222198-5	V PULLEY 7-20.5	1	
022	253762-1	FLAT WASHER 8	2	
023	225104-9	V BELT 7-454	1	
024	140U35-6	BELT COVER COMPLETE	1	
024	C10	265B09-3 H.S. HEAD BOLT M5X30 WITH WR	3	
025	252154-1	HEX. NUT M8-13	1	
026	856Y91-7	DCE090 NAME PLATE	1	
027	856Y97-5	DCE090 SERIAL NO. LABEL	1	
028	273025-9	FRONT GRIP 26	1	
029	922333-2	HEX.SOCKET HD BOLT M6X20	1	
030	136218-8	BATTERY UPPER ASSY	1	
030	D10	INC. 31,32		
031	412348-2	BATTERY COVER HOOK	1	
032	231240-1	COMPRESSION SPRING 7	1	
033	266326-2	TAPPING SCREW 4X18	3	
034	412344-0	BATTERY LOWER COVER L	1	
035	347659-5	GUIDE PLATE	1	
036	922333-2	HEX.SOCKET HD BOLT M6X20	2	
037	422566-4	BATTERY COVER SEAL	1	
038	256948-6	ROD 4	1	
039	232594-9	TORSION SPRING 5	1	
040	961017-7	STOP RING E-3	1	
041	412346-6	BATTERY LOWER COVER R	1	
042	266326-2	TAPPING SCREW 4X18	3	

043		922358-6	H.S.H.BOLT M6X35 WITH WR	4	
044		412277-9	MOTOR HOUSING	1	
045		266490-9	TAPPING SCREW PT 2X6	3	
046		687B69-9	STOPPER	1	
047		620C87-0	CONTROLLER B	1	
048		652031-1	PAN HEAD SCREW M3X6	3	
049		632P83-4	LEAD UNIT	1	
050		629492-0	STATOR	1	
051		459144-7	BAFFLE PLATE	1	
052		266326-2	TAPPING SCREW 4X18	2	
053		210059-1	BALL BEARING 6000DDW	1	
054		519629-6	ROTOR ASSY	1	
054	D10		INC. 53,55,56		
055		253759-0	FLAT WASHER 12	1	
056		211137-0	BALL BEARING 6201LLU	1	
057		266326-2	TAPPING SCREW 4X18	4	
058		183E46-2	TERMINAL BOX SET	1	
058	D10		INC. 61		
059		643874-2	TERMINAL	1	
060		643874-2	TERMINAL	1	
061		183E46-2	TERMINAL BOX SET	1	
061	D10		INC. 58		
062		266326-2	TAPPING SCREW 4X18	2	
063		911118-1	PAN HEAD SCREW M4X12	1	
064		232267-4	LEAF SPRING	1	
065		412347-4	LENS	1	
066		252173-7	SQUARE NUT	1	
067		620C88-8	LED CIRCUIT	1	
068		136219-6	HOUSING ASSY	1	
068	D10		INC. 63-66,79		
069		140F08-9	LED CIRCUIT COMPLETE	1	
069	C10	818A73-3	INDICATION LABEL	1	
070		266326-2	TAPPING SCREW 4X18	8	
071		140U77-0	SWITCH CIRCUIT COMPLETE	1	
071	C10	8013T3-3	SWITCH LABEL	1	
072		232595-7	COMPRESSION SPRING 3	1	
073		412343-2	LOCK OFF BUTTON	1	
074		232353-1	COMPRESSION SPRING 4	1	
074-1		233064-1	COMPRESSION SPRING 4	1	
075		620C86-2	CONTROLLER	1	
076		412342-4	SWITCH LEVER	1	
077		651083-9	SWITCH C3XA-1PSPM	1	
079		232267-4	LEAF SPRING	1	
080		266326-2	TAPPING SCREW 4X18	1	
081		424623-4	GROMMET	1	
082		265B45-9	HEX. BOLT M8X27	1	

083		127491-1	HOSE ASSEMBLY	1	
A01		123121-2	COUPLING SLEEVE	1	
A02		782023-7	WRENCH 13-16	1	
A03		783202-0	HEX. WRENCH 4	1	
A04		E-03006	ABRASIVE CUT-OFF WHEEL/ INOX	1	
A06B		***DC18R	DC18RD TWO PORT FAST CHARGER	1	
A06B	D10		COMPO-PARTS		
A07B		197280-8	BATTERY BL1850B SET	2	®



МАГАЗИН
БАШ МАЙСТОРА
 ПРОФЕСИОНАЛНИ РЕШЕНИЯ