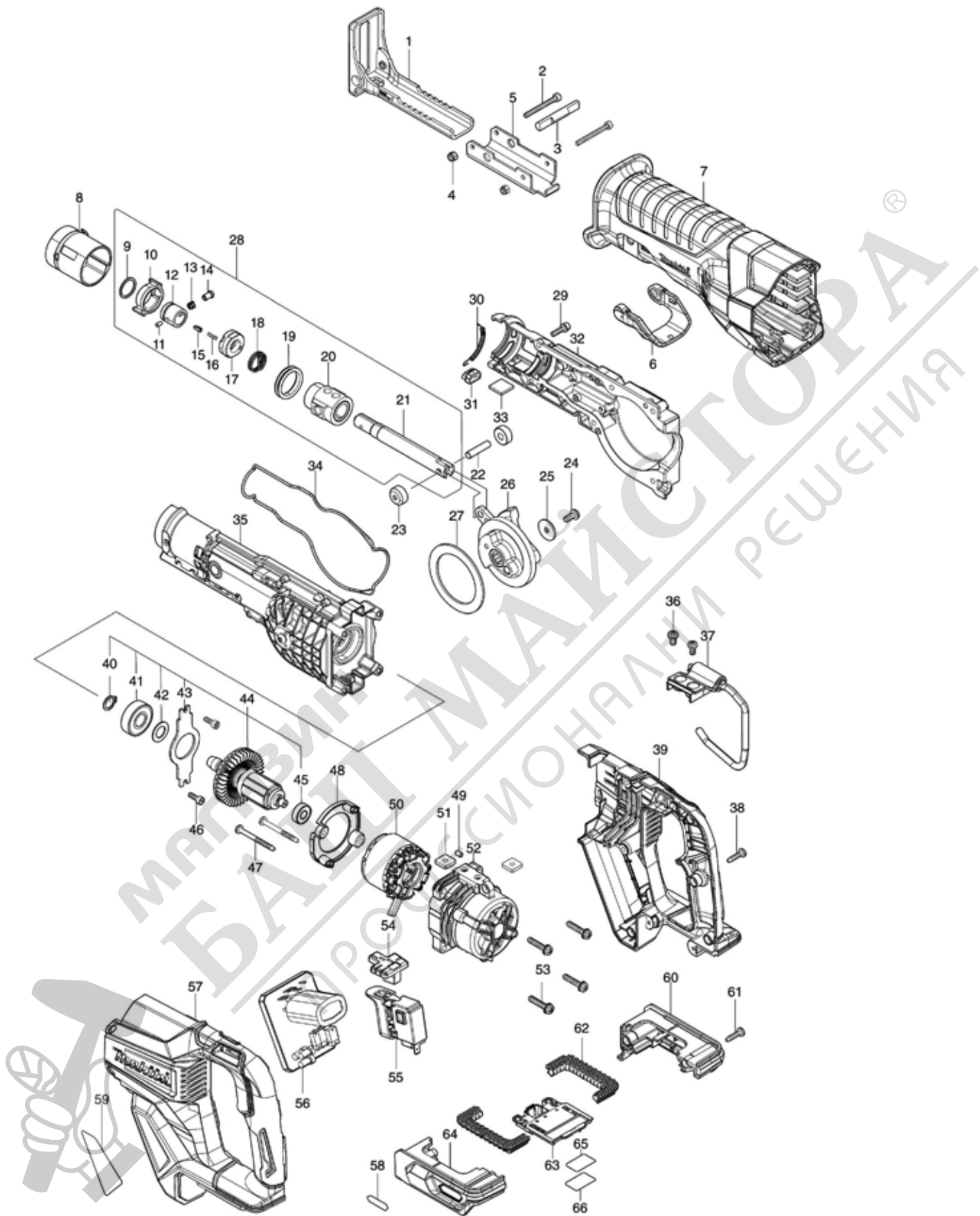


Model No. JR001G CORDLESS RECIPRO SAW



Model No.JR001G CORDLESS RECIPRO SAW

| Položka | Objednávacie číslo | Popis | Zmena | ks | New/Old | Možnosť 1 | Možnosť 2 | Poznámka |
|---------|--------------------|------------------------------|-------|----|---------|-----------|-----------|----------|
| 001 | 162739-4 | SHOE | | 1 | | | | |
| 002 | 265A78-8 | HEX SOCKET HEAD BOLT M4X40 | | 2 | | | | |
| 003 | 326599-0 | LOCK PIN | | 1 | | | | |
| 004 | 252126-6 | HEX. LOCK NUT M4-7 | | 2 | | | | |
| 005 | 347637-5 | SHOE GUIDE PLATE | | 1 | | | | |
| 006 | 459924-1 | LOCK LEVER | | 1 | | | | |
| 007 | 422542-8 | INSULATION COVER | | 1 | | | | |
| 008 | 459923-3 | RELEASE DRUM | | 1 | | | | |
| 009 | 257430-8 | RETAINING RING(EXT)18 | | 1 | | | | |
| 010 | 310848-5 | DRIVING SLEEVE | | 1 | | | | |
| 011 | 268094-3 | PIN 3 | | 1 | | | | |
| 012 | 327043-0 | GUIDE SLEEVE | | 1 | * | | | |
| 012-1 | 327650-9 | GUIDE SLEEVE | S | 1 | | | | |
| 013 | 234381-2 | COMPRESSION SPRING 6 | | 1 | | | | |
| 014 | 256569-4 | SHOULDER PIN 5 | | 1 | | | | |
| 015 | 310912-2 | PUSH PIN | | 1 | | | | |
| 016 | 232472-3 | COMPRESSION SPRING 2 | | 1 | | | | |
| 017 | 458968-8 | CONNECTING SLEEVE | | 1 | | | | |
| 018 | 233594-2 | TORSION SPRING 17 | | 1 | | | | |
| 019 | 422309-4 | RUBBER RING 25 | | 1 | | | | |
| 020 | 140P52-6 | SLIDER GUIDE COMPLETE | | 1 | | | | |
| C10 | 213174-0 | X RING 14 | | 1 | | | | |
| 021 | 327154-1 | SLIDER | | 1 | * | | | |
| 021-1 | 327652-5 | SLIDER | S | 1 | | | | |
| 022 | 256945-2 | PIN 6 | | 1 | | | | |
| 023 | 310991-0 | ROLLER | | 2 | | | | |
| 024 | 265374-8 | H.S. BUTTON HEAD SCREW M5X12 | | 1 | | | | |
| 025 | 253462-3 | FLAT WASHER 5 | | 1 | | | | |
| 026 | 140P53-4 | GEAR COMPLETE | | 1 | | | | |
| 027 | 253463-1 | FLAT WASHER 51 | | 1 | | | | |
| 028 | 136224-3 | SLIDER ASS'Y | | 1 | | | | |
| D10 | | INC. 9-21 | | | | | | |
| 029 | 922128-3 | HEX. SOCKET HEAD BOLT M4X16 | | 6 | | | | |
| 030 | 232583-4 | TENSION SPRING 3 | | 1 | | | | |
| 031 | 620C32-5 | LED CIRCUIT | | 1 | | | | |
| 032 | 140P51-8 | GEAR HOUSING R COMPLETE | | 1 | | | | |
| 033 | 424858-7 | FELT 16X16 | | 1 | | | | |
| 034 | 422541-0 | SEAL RING | | 1 | | | | |
| 035 | 140P50-0 | GEAR HOUSING L COMPLETE | | 1 | | | | |
| 036 | 911206-4 | PAN HEAD SCREW M5X10 | | 2 | | | | |
| 037 | 127468-6 | HOOK ASSEMBLY | | 1 | | | | |
| 038 | 266326-2 | TAPPING SCREW 4X18 | | 6 | | | | |
| 039 | 183N57-1 | HANDLE SET | | 1 | | | | |
| D10 | | INC. 57 | | | | | | |

Please order the parts with part number.

Print Date 2/4/2020

Model No.JR001G CORDLESS RECIPRO SAW

| Položka | Objednávacie číslo | Popis | Zmena | ks | New/Old | Možnosť 1 | Možnosť 2 | Poznámka |
|---------|--------------------|-------------------------------|-------|----|---------|-----------|-----------|----------|
| 040 | 961052-5 | RETAINING RING S-12 | | 1 | | | | |
| 041 | 211129-9 | BALL BEARING 6201DDW | | 1 | | | | |
| 042 | 253744-3 | FLAT WASHER 12 | | 1 | | | | |
| 043 | 285038-8 | BEARING RETAINER 80 | | 1 | | | | |
| 044 | 510447-5 | ROTOR ASS'Y | | 1 | | | | |
| D10 | | INC. 40-43,45 | | | | | | |
| 045 | 210062-2 | BALL BEARING 607ZZ | | 1 | | | | |
| 046 | 922117-8 | HEX. SOCKET HEAD BOLT M4X12 | | 2 | | | | |
| 047 | 266425-0 | TAPPING SCREW 4X45 | | 2 | | | | |
| 048 | 456178-1 | BAFFLE PLATE | | 1 | | | | |
| 049 | 263002-9 | RUBBER PIN 4 | | 1 | | | | |
| 050 | 629470-0 | STATOR | | 1 | | | | |
| 051 | 264002-2 | SQUARE NUT M5 | | 2 | | | | |
| 052 | 412476-3 | MOTOR HOUSING | | 1 | | | | |
| 053 | 911243-8 | PAN HEAD SCREW M5X25 | | 4 | | | | |
| 054 | 456177-3 | CHANGE BUTTON | | 1 | | | | |
| 055 | 651439-6 | SWITCH C3JR-4B-2 | | 1 | | | | |
| 056 | 620C31-7 | CONTROLLER | | 1 | | | | |
| 057 | 183N57-1 | HANDLE SET | | 1 | | | | |
| D10 | | INC. 39 | | | | | | |
| 058 | 8005T5-8 | XGT LOGO LABEL | | 1 | | | | |
| 059 | 856P39-5 | JR001G NAME PLATE | | 1 | | | | |
| 060 | 183N58-9 | BATTERY HOUSING SET | | 1 | | | | |
| C10 | 263005-3 | RUBBER PIN 6 | | 2 | | | | |
| D10 | | INC. 64 | | | | | | |
| 061 | 266326-2 | TAPPING SCREW 4X18 | | 2 | | | | |
| 062 | 422543-6 | CUSHION RUBBER | | 2 | | | | |
| 063 | 632P49-4 | TERMINAL UNIT | | 1 | | | | |
| 064 | 183N58-9 | BATTERY HOUSING SET | | 1 | | | | |
| C10 | 263005-3 | RUBBER PIN 6 | | 2 | | | | |
| D10 | | INC. 60 | | | | | | |
| 065 | 856P46-8 | JR001G SERIAL NO. LABEL | | 1 | | | | |
| 066 | 8008P3-2 | CLEAR LABEL | | 1 | | | | |
| A01 | B-05038 | RECIPRO SAW BLADE FOR METAL | | 1 | | | | |
| A02 | B-05044 | RECIPRO SAW BLADE FOR PLYWOOD | | 1 | | | | |
| A03 | B-05153 | RECIPRO SAW BLADE FOR WOOD | | 1 | | | | |
| A04B | 821796-8 | PLASTIC CASE | | 1 | | | | |
| C10 | 162271-8 | LATCH | | 2 | | | | |
| A04C | 821796-8 | PLASTIC CASE | | 1 | | | | |
| C10 | 162271-8 | LATCH | | 2 | | | | |
| A05B | ***DC40RA | DC40RA FAST CHARGER | | 1 | | | | |
| D10 | | COMPO-PARTS | | | | | | |
| A05C | ***DC40RA | DC40RA FAST CHARGER | | 1 | | | | |
| D10 | | COMPO-PARTS | | | | | | |

Please order the parts with part number.

Print Date 2/4/2020

Model No.JR001G CORDLESS RECIPRO SAW

| Položka | Objednávacie číslo | Popis | Zmena | ks | New/Old | Možnosť 1 | Možnosť 2 | Poznámka |
|---------|--------------------|--------------------|-------|----|---------|-----------|-----------|----------|
| A06B | 412393-7 | BATTERY COVER | | 1 | | | | |
| A06C | 412393-7 | BATTERY COVER | | 1 | | | | |
| A07B | 191B36-3 | BATTERY BL4025 SET | | 2 | | | | |
| A07C | 191B26-6 | BATTERY BL4040 SET | | 2 | | | | |

Please order the parts with part number.

Print Date 2/4/2020



МАГАЗИН МАЙСТОРА®
 БАШ МАЙСТОРА
 ПРОФЕСІОНАЛНИ РЕШЕННЯ