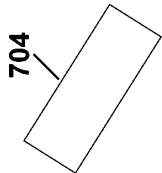
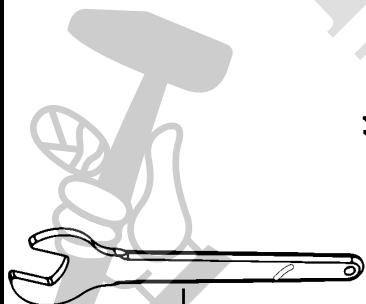
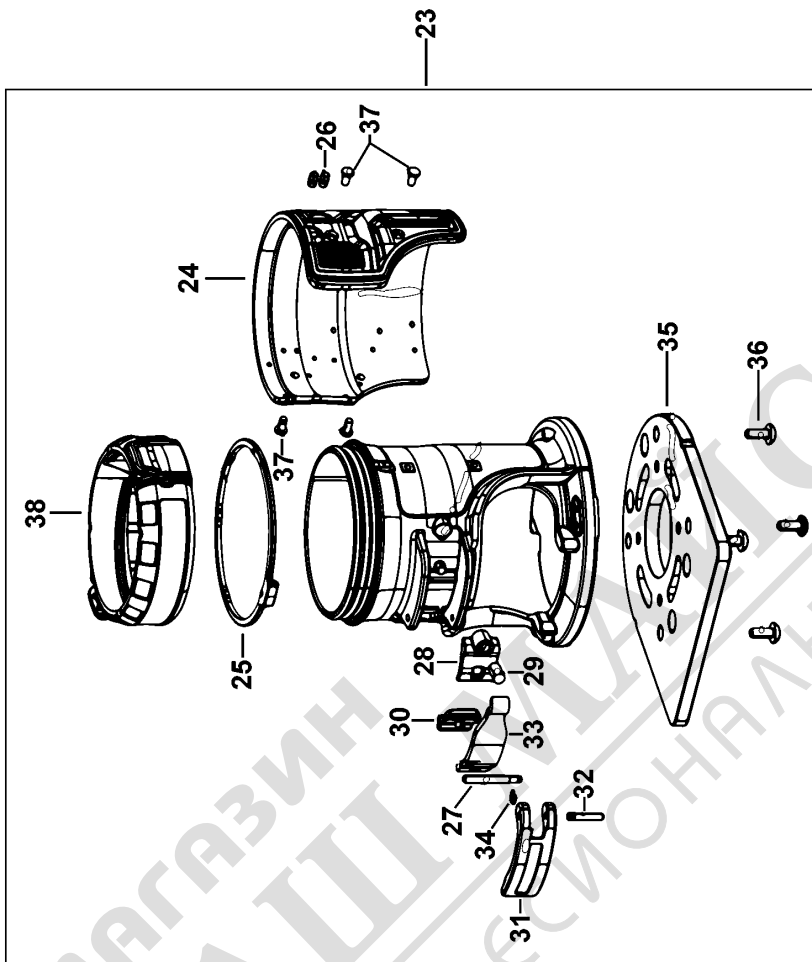


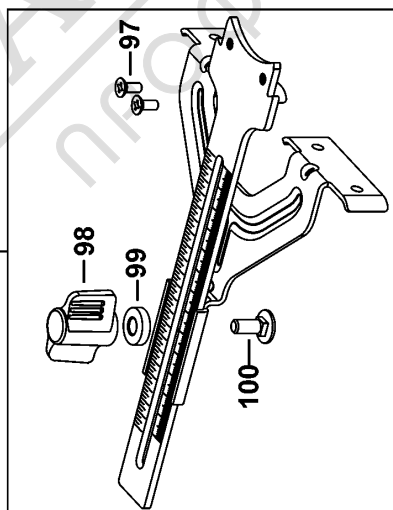
DCW604 Main unit ROUTER 1



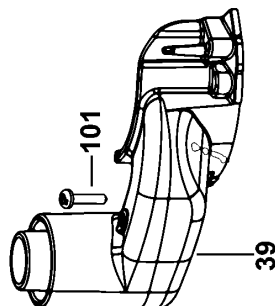
705



85



41



101

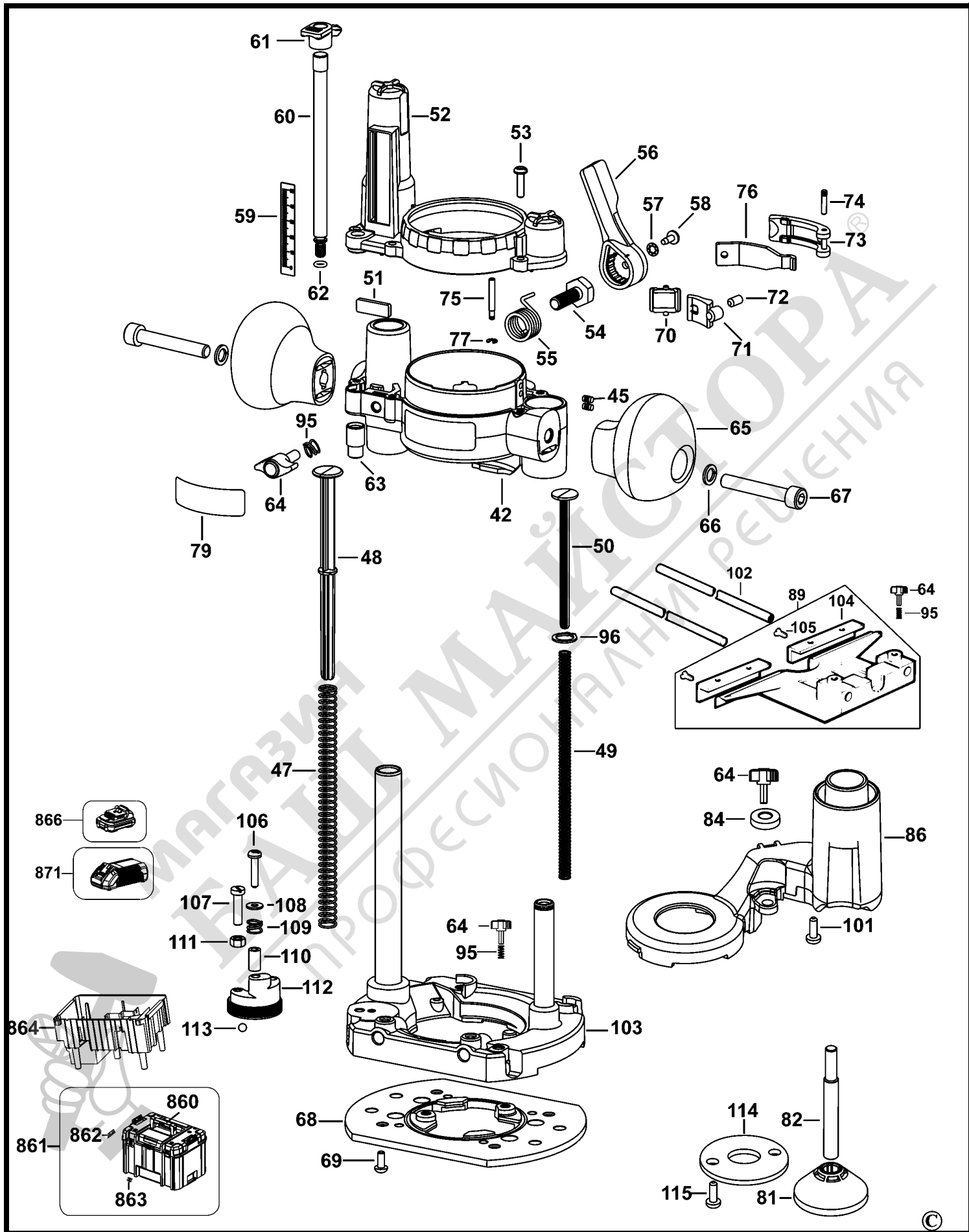
39

40

©

МАГАЗИН ПРОФ. ИНСТРУМЕНТА
БАШКОММУНАЛЬНИКОВ
СТОРП
РЕШЕНИЯ

DCW604 Attachments ROUTER 1



Parts List DCW604 ROUTER 1

Item	Part Number	Qty	Part Description	General Description	Other Info	Repair Inst	Markets
1	N567094	1	HOUSING SA			No	
2	N661051	1	HOUSING MOTOR			No	
3	N038183	1	LOCK BUTTON			No	
4	A26131	1	INSERT			No	
5	A23489	1	SPRING			No [®]	
6	330065-06	2	SCREW	M4 X 12 T20		No	
7	A25248	1	NUT			No	
8	N239160	1	BUMPER	FOOT		No	
9	N239159	1	BUMPER	FOOT		No	
10	N122099	1	BLOCK			No	
11	N461735	1	SPRING			No	
12	330045-08	2	SCREW	M4X25 T20		No	
13	330065-07	1	SCREW	M4 x 16mm		No	
14	682211-00	3	SCREW			No	
15	N071836	1	ROLL PIN			No	
16	N569455	1	CLIP			No	
17	N467560	1	PLATE			No	
18	N740030	1	MOTOR SA	EURO		No	QW
19	N580684	1	LED LIGHT			No	
20	N550971	1	WHEEL SPEED			No	
21	326286-00	1	COLLET & NUT SA	8mm		No	QS
22	N703257	4	PIN			No	
23	N742993	1	HOUSING SA			No	
24	N591239	1	COVER			No	
25	A23587	1	INDICATOR			No	
26	N042079	2	PIN			No	
27	A24452	1	PIN			No	
28	A24764	1	ADJUSTER			No	
29	330022-18	1	SCREW			No	
30	A24767	1	PAD			No	
31	A24771	1	CLAMPING BAR	W/OUT PIN		No	
32	A24770	1	PIN			No	
33	A27362	1	SPRING			No	

Parts List DCW604 ROUTER 1

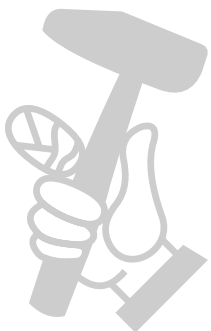
Item	Part Number	Qty	Part Description	General Description	Other Info	Repair Inst	Markets
34	N028373	1	RETAINER			No	
35	A27941	1	BASEPLATE	D		No	
36	N029178	4	SCREW	M4 10 PAN HD		No	
37	N587924	4	PIN			No	
38	N693104	1	ADJUSTER HEIGHT			No [®]	
39	A28678SV	1	ADAPTOR	VACUUM		No	
40	N092764	1	BASE SA	O		No	
41	N026733	1	GUIDE SA			No	
42	N095608	1	CARRIER SA			No	
45	N042079	2	PIN			No	
47	N037001	1	SPRING			No	
48	N034346	1	GUIDE			No	
49	A29112	1	SPRING			No	
50	A29651	1	GUIDE			No	
51	N027873	1	PLATE			No	
52	N029880	1	COVER			No	
53	330045-06	5	SCREW	M4 X 0.7 THD FORM		No	
54	N029497	1	BOLT	M8 X 1.25 X30 LH		No	
55	N029508	1	SPRING			No	
56	N027646	1	LEVER			No	
57	608298-00	1	WASHER SPECIAL			No	
58	324007-10	1	SCREW	M4 x 10		No	
59	N032095	1	SCALE	METRIC		No	
60	A28031	1	ROD			No	
61	N031168	1	ADJUSTER			No	
62	N027984	1	O RING	0.176 X 0.07		No	
63	N027987	1	ADJUSTER			No	
64	608930-00	6	SCREW			No	
65	397560-00	2	KNOB			No	
66	098197-09	2	WASHER			No	
67	607395-00	2	SCREW			No	
68	N029742	1	BASEPLATE			No	
69	N029178	4	SCREW	M4 10 PAN HD		No	

Parts List DCW604 ROUTER 1

Item	Part Number	Qty	Part Description	General Description	Other Info	Repair Inst	Markets
70	A24767	1	PAD			No	
71	A24764	1	ADJUSTER			No	
72	330022-18	1	SCREW			No	
73	A24771	1	CLAMPING BAR	W/OUT PIN		No	
74	A24770	1	PIN			No [®]	
75	A24452	1	PIN			No	
76	A27362	1	SPRING			No	
77	N028373	1	RETAINER			No	
79	N029502	1	BRAND LABEL			No	
80	A25250	1	NUT LH	M37 X 1.5 LH		No	
81	A27315	1	CONE			No	
82	A27316	1	PIN			No	
84	N028927	1	WASHER			No	
85	A27895	1	WRENCH SPECIAL	17MM		No	
86	A29660	1	ADAPTOR			No	
89	948651-00	1	FENCE SA			No	
95	609118-00	6	SPRING			No	
96	684179	1	RING			No	
97	945121-00	2	SCREW.TEMP	M4 x 10		No	
98	147107-00	1	KNOB			No	
99	N028927	1	WASHER			No	
100	931405-00	1	SCREW			No	
101	330065-08	3	SCREW	M4 X 18 T20		No	
102	868080-00	2	ROD			No	
103	N095607	1	BASE SA			No	
104	249090-00	2	GUIDE			No	
105	860205-04	4	SCREW	M4 x 8		No	
106	330045-07	1	SCREW	M4*20 T20		No	
107	608928-00	1	SCREW	M5 X 20		No	
108	653599-00	1	WASHER			No	
109	652834-00	1	SPRING			No	
110	652835-00	1	SPACER			No	
111	330015-04	1	NUT			No	

Parts List DCW604 ROUTER 1

Item	Part Number	Qty	Part Description	General Description	Other Info	Repair Inst	Markets
112	326976-01	1	TURRET			No	
113	652836-00	1	BALL			No	
114	249014-01	1	BUSH			No	
115	945121-00	2	SCREW.TEMP	M4 x 10		No	
700	N589075	1	WARNING LABEL			No [Ⓜ]	
701	N589073	1	WARNING LABEL			No	
702	N589072	1	RATING PLATE	EURO		No	QW
703	N589077	1	BRAND LABEL	18V		No	
704	N589078	1	LABEL	BRUSHLESS		No	
705	A28466	1	IDENTITY LABEL			No	
860	H1400196008	1	HANDLE			No	
861	N445186	1	KITBOX	TSTAK VI	DCW604NT	No	
862	H1500082520	2	LATCH			No	
863	P910190	2	LATCH			No	
864	N593656	1	INSERT	KITBOX		No	
866	N394624	1	BATTERY 18V - 5.0AH - 90WH	Li-Ion - DCB184-XJ	DCW604P2	No	QW
871	N450536	1	CHARGER (EURO)	DCB115-QW - 4.0A		No	QW



МАГАЗИН МАЙСТОР
 БАШ МАЙСТОР
 ПРОФЕСІОНАЛНІ РЕШЕННЯ