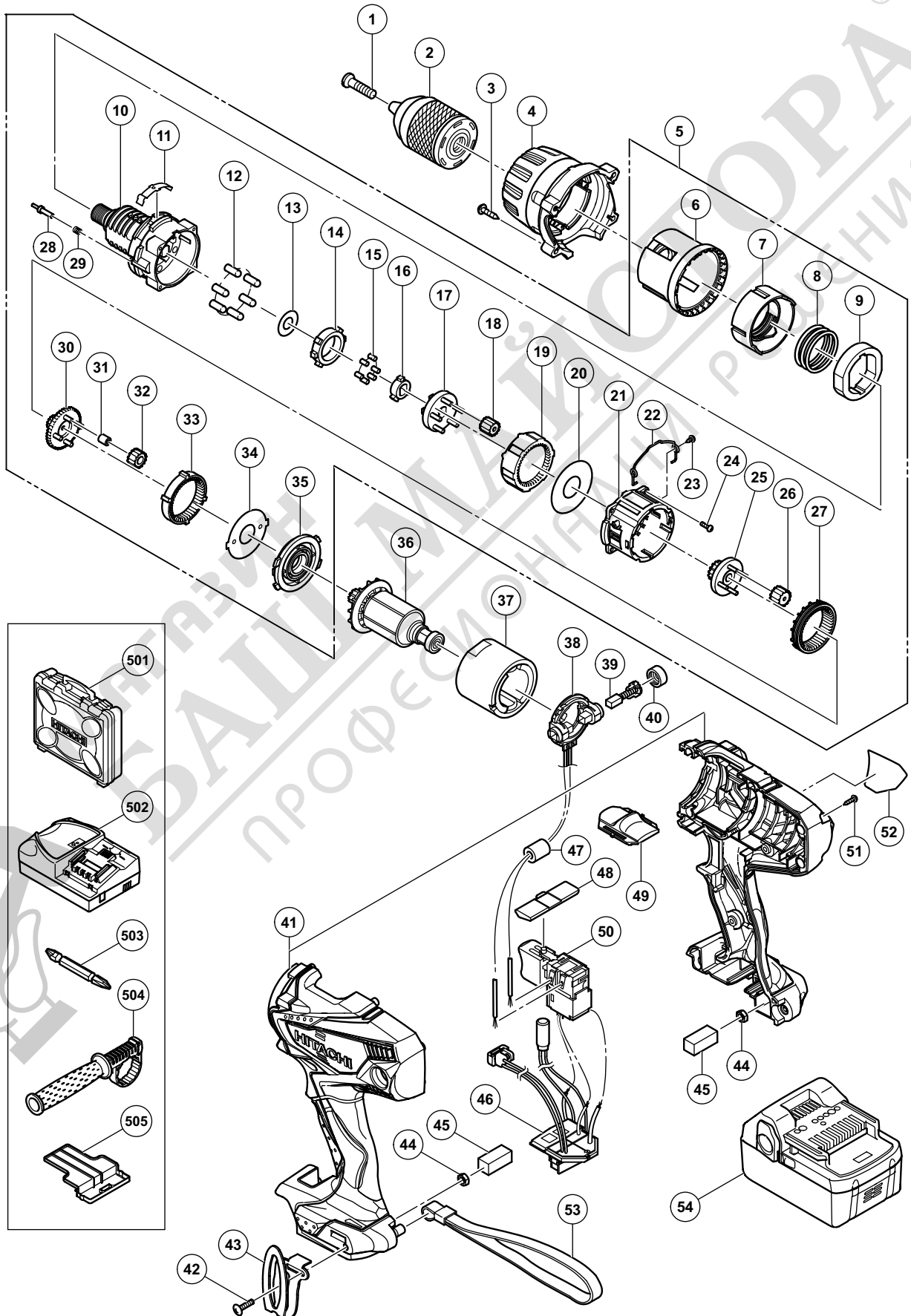


ELECTRIC TOOL PARTS LIST

CORDLESS IMPACT DRIVER DRILL 2012·1·12
Model DV 18DSDL (E1)



PARTS

DV 18DSDL

ITEM NO.	CODE NO.	DESCRIPTION	NO. USED	REMARKS
1	995-344	FLAT HD. SCREW (A) (LEFT HAND) M6 X 25	1	
2	323-898	DRILL CHUCK 13VLRN-N (W/O CHUCK WRENCH)	1	
3	334-473	TAPPING SCREW (W/SP. WASHER) D3 X 20 (BLACK)	4	
4	334-444	COVER (A)	1	
5	334-445	GEAR BOX ASS'Y	1	INCLUD. 6-35
6	334-446	DIAL HOLDER (B)	1	
7	333-512	NUT	1	
8	333-513	SPRING	1	
9	333-514	SLEEVE	1	
10	333-515	FRONT CASE	1	
11	333-516	CLICK SPRING	1	
12	333-539	PIN SET (6 PCS.)	6	
13	331-909	WASHER (A)	1	
14	331-903	LOCK RING (A)	1	
15	331-888	NEEDLE ROLLER SET (6 PCS.)	6	
16	331-904	LOCK CAM	1	
17	333-517	CARRIER	1	
18	333-518	PLANET GEAR (C) SET (5 PCS.)	5	
19	333-519	RING GEAR	1	
20	331-892	WASHER (A)	1	
21	331-893	REAR CASE	1	
22	331-894	SHIFT ARM	1	
23	330-579	SCREW SET D2 X 3.5 (2 PCS.)	2	
24	320-087	SCREW SET M3 X 12 (4 PCS.)	4	
25	331-897	PINION (C)	1	
26	333-520	PLANET GEAR (B) SET (4 PCS.)	4	
27	333-521	SLIDE RING GEAR	1	
28	333-522	STOPPER (A)	2	
29	333-523	STOPPER SPRING	2	
30	333-524	PINION (B)	1	
31	331-926	NEEDLE BEARING SET (4 PCS.)	4	
32	333-525	PLANET GEAR (A) SET (4 PCS.)	4	
33	333-526	FIRST RING GEAR	1	
34	322-988	WASHER (B)	1	
35	331-902	MOTOR SPACER	1	
36	360-932	ARMATURE AND PINION SET 18 V	1	
37	334-442	MAGNET	1	
38	334-436	BRUSH BLOCK	1	
39	999-054	CARBON BRUSH 5 X 6 X 11.5 (1 PAIR)	2	
40	319-918	BRUSH CAP	2	
41	334-440	HOUSING (A).(B) SET	1	
42	327-001	TRUSS HD. SCREW M4 (BLACK)	1	
43	332-824	HOOK	1	
44	327-002	LOCK NUT M4 (BLACK)	2	
45	328-644	PACKING	2	
46	334-438	CONTROLLER TERMINAL SET	1	
* 47	334-443	FERRITE CORE	1	FOR EUROPE, GBR, AUT, NOR, SWE, DEN, FIN, RUS
48	331-907	PUSHING BUTTON	1	
49	334-267	SHIFT KNOB	1	
50	333-640	DC-SPEED CONTROL SWITCH	1	

PARTS

DV 18DSDL

ITEM NO.	CODE NO.	DESCRIPTION	NO. USED	REMARKS	
51	313-687	TAPPING SCREW (W/FLANGE) D3 X 16 (BLACK)	11		
52		NAME PLATE	1		
53	306-952	STRAP (BLACK)	1		
* 54	330-068	BATTERY BSL 1830 (EUROPE, AUS, NZL)	2	INCLUD. 505	
* 54	334-421	BATTERY BSL 1840 (EUROPE, AUS, NZL)	2	INCLUD. 505	
* 54	330-067	BATTERY BSL 1830 (USA, CAN)	2	INCLUD. 505	

STANDARD ACCESSORIES

ITEM NO.	CODE NO.	DESCRIPTION	NO. USED	REMARKS	
501	323-230	CASE	1		
* 502		CHARGER (MODEL UC 18YRSL)	1		
* 502		CHARGER (MODEL UC 18YML2)	1		
503	983-006	+ DRIVER BIT NO. 2 65L	1		
504	331-906	SIDE HANDLE	1		
505	329-897	BATTERY COVER	1		

OPTIONAL ACCESSORIES

ITEM NO.	CODE NO.	DESCRIPTION	NO. USED	REMARKS	
* 601	303-709	DEPTH GAUGE	1		
* 601	310-331	DEPTH GAUGE	1	FOR USA, CAN	

