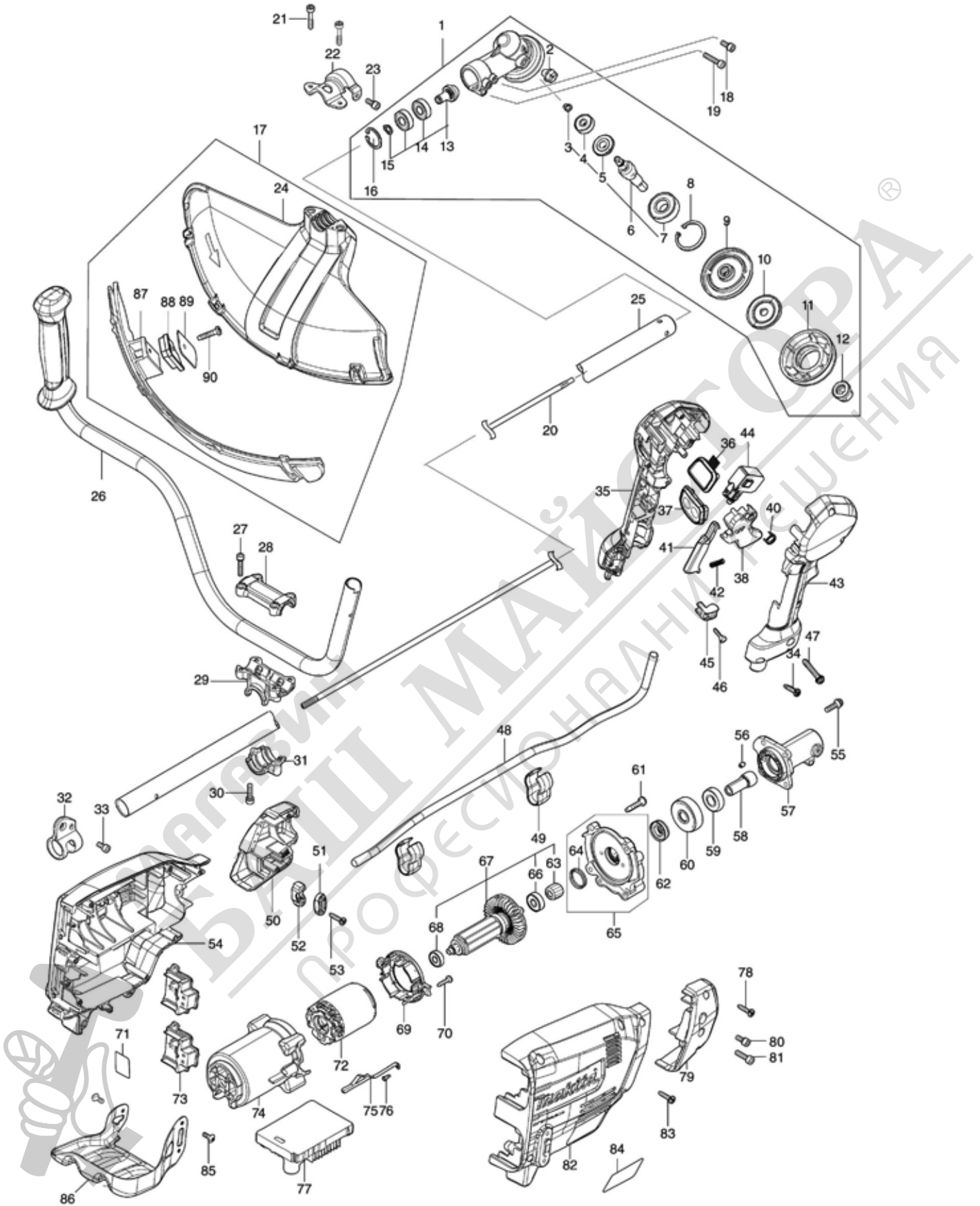


Model No.DUR369A CORDLESS GRASS TRIMMER



Model No.DUR369A CORDLESS GRASS TRIMMER

Položka	Objednávacie číslo	Popis	Zmena	ks	New/Old	Možnosť 1	Možnosť 2	Poznámka
001	123853-1	GEAR CASE ASSEMBLY		1				
D10		INC. 2-16						
002	265590-2	+HEX.BOLT M8X10 WITH R		1				
003	232350-7	RING SPRING 6		1				
004	210030-5	BALL BEARING 627ZZ		1				
005	221484-1	SPIRAL BEVEL GEAR 19		1				
006	136233-2	CUTTER SHAFT ASS'Y		1				
D10		INC. 3-5,7						
007	211228-7	BALL BEARING 6202DDW		1				
008	257432-4	RETAINING RING R-35		1				
009	144312-2	RECEIVE WASHER COMPLETE		1				
010	347104-0	CLAMP WASHER		1				
011	457274-8	CUP US		1				
012	252236-9	HEX. LOCK NUT M10-17		1				
013	136235-8	SPIRAL BEVEL GEAR ASS'Y		1				
D10		INC. 14,15						
014	210049-4	BALL BEARING 609ZZ		2				
015	257986-1	RETAINING RING (EXT) S-9		1				
016	257987-9	RETAINING RING (INT)R-24		1				
017	191B54-1	PROTECTOR U 430 SET MG		1				
D10		INC. 24,87-90						
018	922216-6	HEX. SOCKET HEAD BOLT M5X14		1				
019	922242-5	HEX. SOCKET HEAD BOLT M5X25		1				
020	327056-1	SHAFT		1				
021	251513-6	H.S.H.BOLT M5X25		2				
022	347107-4	PROTECTOR CLAMP 24		1				
023	922216-6	HEX. SOCKET HEAD BOLT M5X14		1				
024	457271-4	PROTECTOR U 450		1				
025	140M97-6	SHAFT PIPE COMPLETE A		1				
C10	819312-8	MAKITA LOGO LABEL		1				
C20	819N87-3	CAUTION LABEL		1				
026	140L83-1	HANDLE 19 COMPLETE		1				
027	922241-7	HEX. SOCKET HEAD BOLT M5X25		4				
028	318272-6	HANDLE HOLDER 1		1				
029	319705-4	HANDLE HOLDER		1				
030	922241-7	HEX. SOCKET HEAD BOLT M5X25		2				
031	319703-8	PIPE CLAMP		1				
032	347116-3	HANGER		1				
033	922212-4	HEX. SOCKET HEAD BOLT M5X12		1				
034	266326-2	TAPPING SCREW 4X18		5				
035	183L61-8	GRIP SET		1				
C10	252180-0	HEX. LOCK NUT M5-8		1				
D10		INC. 43						
036	140K37-2	INDICATION CIRCUIT COMPLETE E		1				

Model No.DUR369A CORDLESS GRASS TRIMMER

Položka	Objednávacie číslo	Popis	Zmena	ks	New/Old	Možnosť 1	Možnosť 2	Poznámka
037	140K35-6	SWITCH CIRCUIT COMPLETE G		1				
C10	819J26-9	SWITCH LABEL		1				
038	459145-5	SWITCH LEVER		1				
040	233540-5	TORSION SPRING 11		1				
041	459146-3	LOCK OFF LEVER		1				
042	233101-1	COMPRESSION SPRING 4		1				
043	183L61-8	GRIP SET		1				
C10	252180-0	HEX. LOCK NUT M5-8		1				
D10		INC. 35						
044	651436-2	SWITCH G3JW-1A-P-2		1				
045	687260-7	STRAIN RELIEF		1				
046	266326-2	TAPPING SCREW 4X18		1				
047	911258-5	PAN HEAD SCREW M5X35		1				
048	699132-4	POWER SUPPLY CORD UNIT		1				
049	457458-8	CLAMP		2				
050	183N25-4	HOUSING COVER SET		1				
D10		INC. 79						
051	687124-5	STRAIN RELIEF		1				
052	687051-6	STRAIN RELIEF		1				
053	266326-2	TAPPING SCREW 4X18		2				
054	183N23-8	HOUSING SET		1				
C10	263005-3	RUBBER PIN 6		4				
C20	252126-6	HEX. LOCK NUT M4-7		3				
D10		INC. 82						
055	911233-1	PAN HEAD SCREW M5X20		4				
056	263002-9	RUBBER PIN 4		1				
057	319919-5	PIPE BRACKET		1				
058	325811-5	SPINDLE HUB		1				
059	211131-2	BALL BEARING 6001DDW		1				
060	226931-7	HELICAL GEAR 29		1				
061	266459-3	TAPPING SCREW 5X25		4				
062	211150-8	BALL BEARING 6901ZZ		1				
063	226932-5	HELICAL GEAR 10		1				
064	213961-7	O RING 22		1				
065	136230-8	GEAR BOX ASS'Y		1				
D10		INC. 64						
066	210005-4	BALL BEARING 608DDW		1				
067	519587-6	ROTOR ASS'Y		1				
D10		INC. 63,66,68						
068	210062-2	BALL BEARING 607ZZ		1				
069	459764-7	BAFFLE PLATE		1				
070	266326-2	TAPPING SCREW 4X18		2				
071	856H96-5	DUR369A SERIAL NO. LABEL		1				
072	629443-3	STATOR		1				
073	644809-6	TERMINAL		2				

Please order the parts with part number.

Print Date 5/2/2020

Model No.DUR369A CORDLESS GRASS TRIMMER

Položka	Objednávacie číslo	Popis	Zmena	ks	New/Old	Možnosť 1	Možnosť 2	Poznámka
074	459763-9	MOTOR HOUSING		1				
075	347620-2	PLATE		1				
076	911102-6	PAN HEAD SCREW M4X6		1				
077	620C08-2	CONTROLLER		1				
078	266326-2	TAPPING SCREW 4X18		2				
079	183N25-4	HOUSING COVER SET		1				
D10		INC. 50						
080	922211-6	H.S.H.BOLT M5X12 WITH W		1				
081	922233-6	H.S.H.BOLT M5X20 WITH WR		1				
082	183N23-8	HOUSING SET		1				
C10	263005-3	RUBBER PIN 6		4				
C20	252126-6	HEX. LOCK NUT M4-7		3				
D10		INC. 54						
083	266326-2	TAPPING SCREW 4X18		7				
084	856H88-4	DUR369A NAME PLATE		1				
085	251314-2	+ SCREW M4X12		3				
086	347563-8	BATTERY GUARD		1				
087	144316-4	PROTECTOR U EXT. 420-450 COMP		1				
088	459765-5	CUTTER EXTENSION		1				
089	347115-5	CUTTER		1				
090	266459-3	TAPPING SCREW 5X25		1				
A01	122906-3	BAND ASSY		1				
A02	197993-1	TRIMMER HEAD 95-M10L SET ME		1				
A03	126642-3	PLASTIC BLADE ASSEMBLY255-M10L		1				
A04	144392-8	TOOL COVER 2T		1				
A05	198345-9	CUTTER BLADE 255-2 SET ME		1				
A06	782238-6	BOX WRENCH 17		1				
A07	783202-0	HEX. WRENCH 4		1				
A08	831304-7	ACCESSORY BAG		1				
A10B	197280-8	BATTERY BL1850B SET		2				
A11B	***DC18RD	DC18RD TWO PORT FAST CHARGER		1				
D10		COMPO-PARTS						

Please order the parts with part number.

Print Date 5/2/2020

