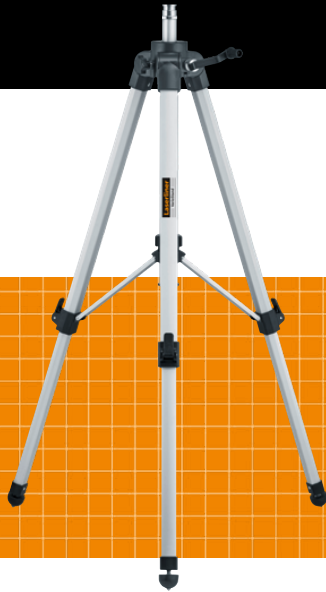




Laserliner

VarioStand L 120 cm



Variable crank tripod
with adapter

Rev18W49



- With adapter for mounting devices with **1/4" and 5/8" thread**
- Thanks to the **special rubber-steel combination tips** the tripod can be easily adapted to different surfaces
- **Crank height adjustment** and **telescopic tripod legs**

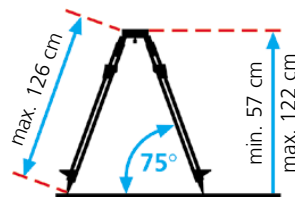
TECHNICAL DATA

THREAD 1/4", 5/8"
CENTRE COLUMN 30 cm
MAX. HEIGHT 122 cm
MIN. HEIGHT 57 cm
MAX. LOAD CAPACITY 5 kg
OPERATING CONDITIONS -20...60°C, max. humidity 80% rH, no condensation,
STORAGE CONDITIONS -20...70°C, max. humidity 80% rH
DIMENSIONS (W x H x D) 120 x 625 x 120 mm
WEIGHT (not including adapter) 1,6 kg



1/4" thread adapter

5/8" thread adapter



VarioStand L 120 cm

+ 1/4" thread adapter
+ 5/8" thread adapter

Packing dimension (W x H x D)
126 x 650 x 121 mm

ARTICLE	ARTICLE NO	EAN-CODE	PU
VarioStand L 120 cm	080.29A	4 021563 705207	1

