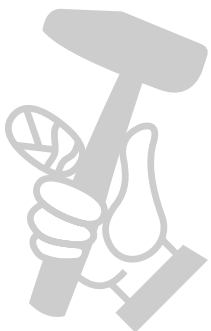
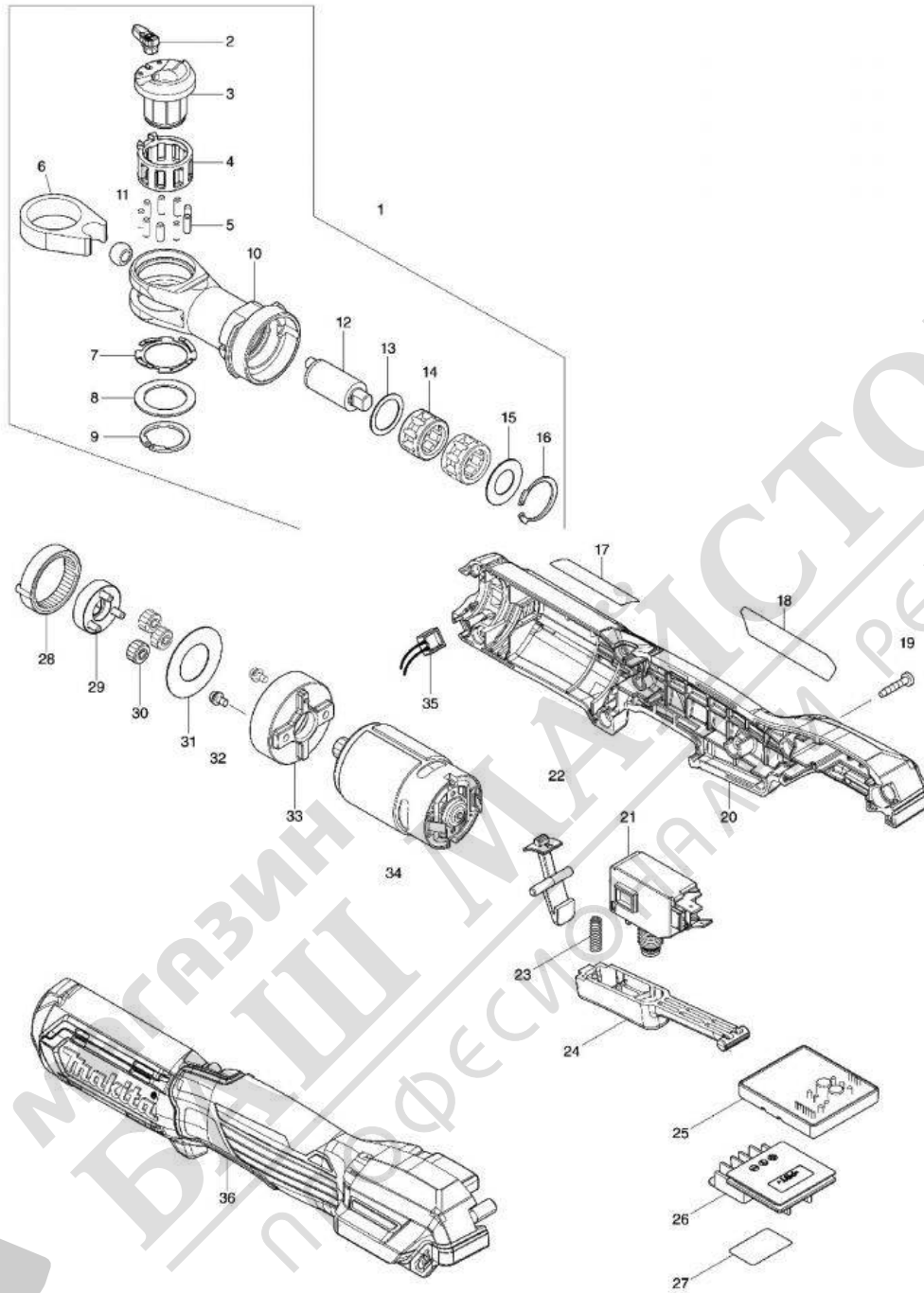


Model No.WR100D CORDLESS RATCHET WRENCH



Item	Sub	Parts No.	Parts Description	Qty
001		127297-7	HEAD ASSEMBLY	1
001	D10		INC. 2-16	
002		140K70-4	LEVER COMPLETE	1
003		327360-8	ANVIL	1
004		310954-6	RETAINER RING	1
005		268301-4	PIN 3	9
005-1		256963-0	PIN 3	9
006		327357-7	RATCHET RING	1
007		232531-3	LEAF SPRING	1
008		253440-3	FLAT WASHER 19	1
009		961078-7	RETAINING RING (EXT) S-18	1
010		327356-9	RATCHET HEAD	1
011		327359-3	BUSH	1
012		327358-5	SPINDLE	1
013		253147-1	FLAT WASHER 15	1
014		212228-0	NEEDLE CAGE 1412	2
015		253084-9	FLAT WASHER 12	1
016		962112-6	RETAINING RING R-22	1
018		855X38-2	WR100D NAME PLATE	1
019		266429-2	TAPPING SCREW 3X16	7
020		183L81-2	HOUSING SET	1
020	D10		INC. 36	
021		651391-8	SWITCH C3JW-6BM-PN	1
022		459422-5	LOCK LEVER	1
023		232353-1	COMPRESSION SPRING 4	1
024		459421-7	SWITCH LEVER	1
025		620A96-7	CONTROLLER	1
025	D10		INC. 35	
026		644813-5	TERMINAL	1
027		855X44-7	WR100D SERIAL NO. LABEL	1
028		226897-1	INTERNAL GEAR 41	1
029		140K71-2	CARRIER COMPLETE	1
030		226898-9	SPUR GEAR 14	3
031		267235-8	FLAT WASHER 18	1
032		265A38-0	P.H.SCREW M3X6 WITH WR	2
033		310953-8	INTERNAL GEAR CASE	1
034		629411-6	DC MOTOR	1
035		620B10-9	LED CIRCUIT	1
036		183L81-2	HOUSING SET	1
036	D10		INC. 20	
A01		191A50-3	SOCKET ADAPTOR 9.5 SET	1
A01	C10	231952-6	RING SPRING 12	1
A02		191A51-1	SOCKET ADAPTOR 6.35 SET	1
A02	C10	231952-6	RING SPRING 12	1
A03B		***DC10WD	DC10WD BATTERY CHARGER	1
A03B	D10		COMPO-PARTS	
A04B		197396-9	BATTERY BL1021B SET	1
A09B		832071-7	TOOL BAG	1
A10B		456128-6	BATTERY COVER	1