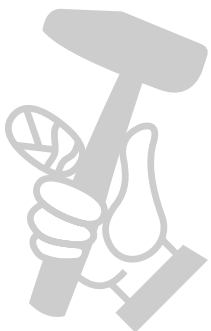
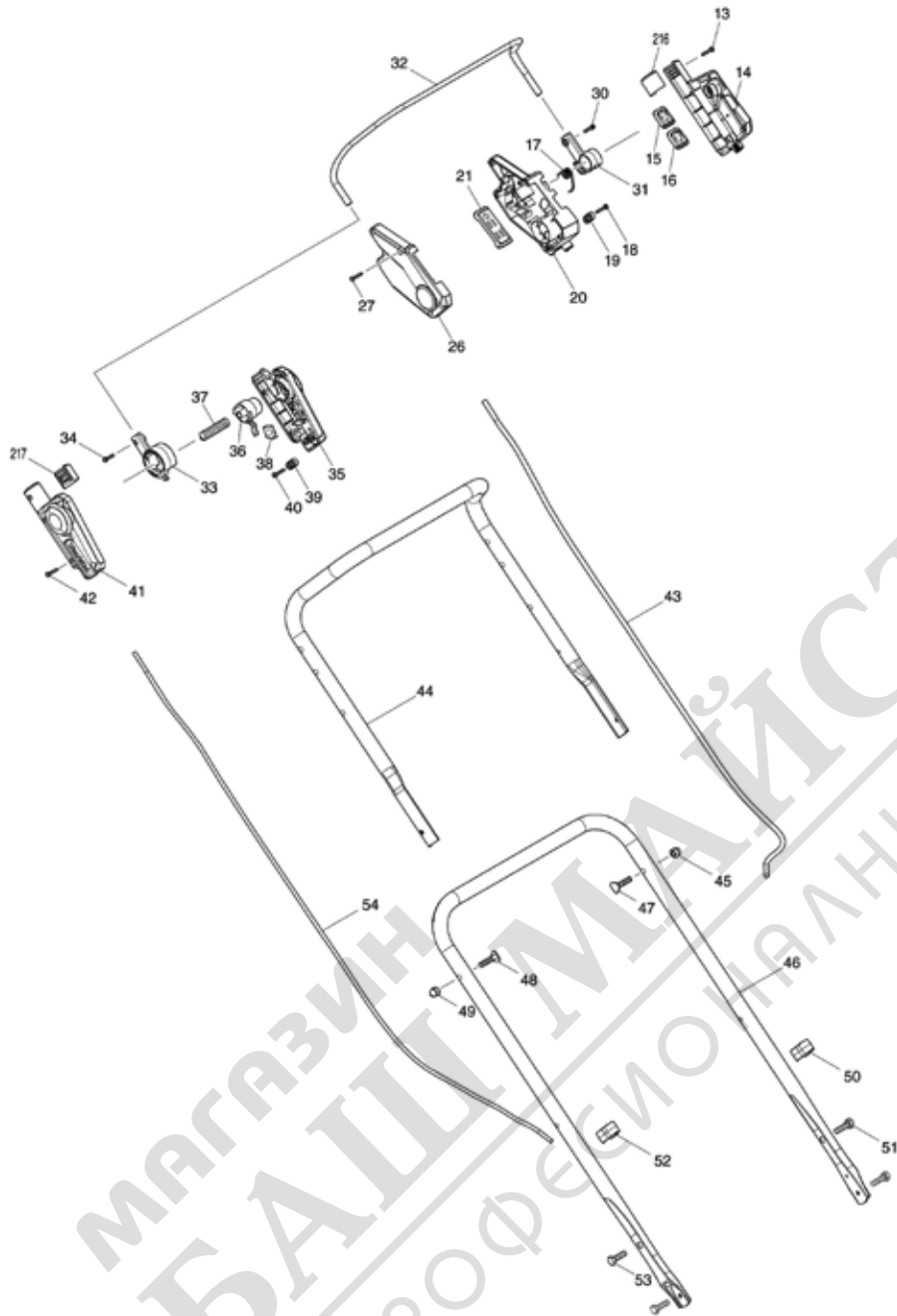
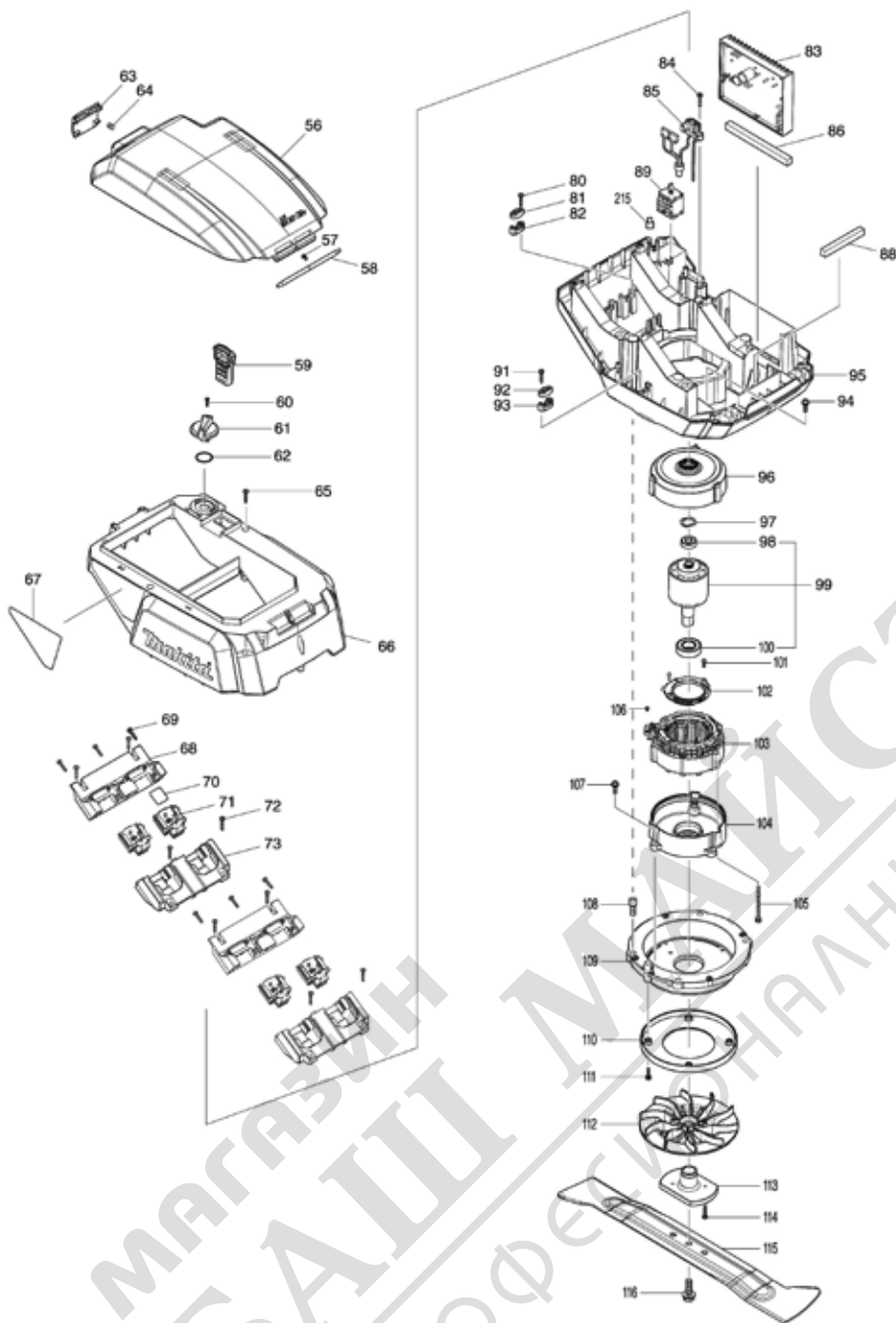


Model No.DLM530 460MM CORDLESS LAWN MOWER



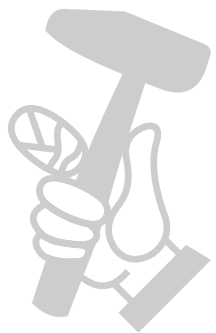
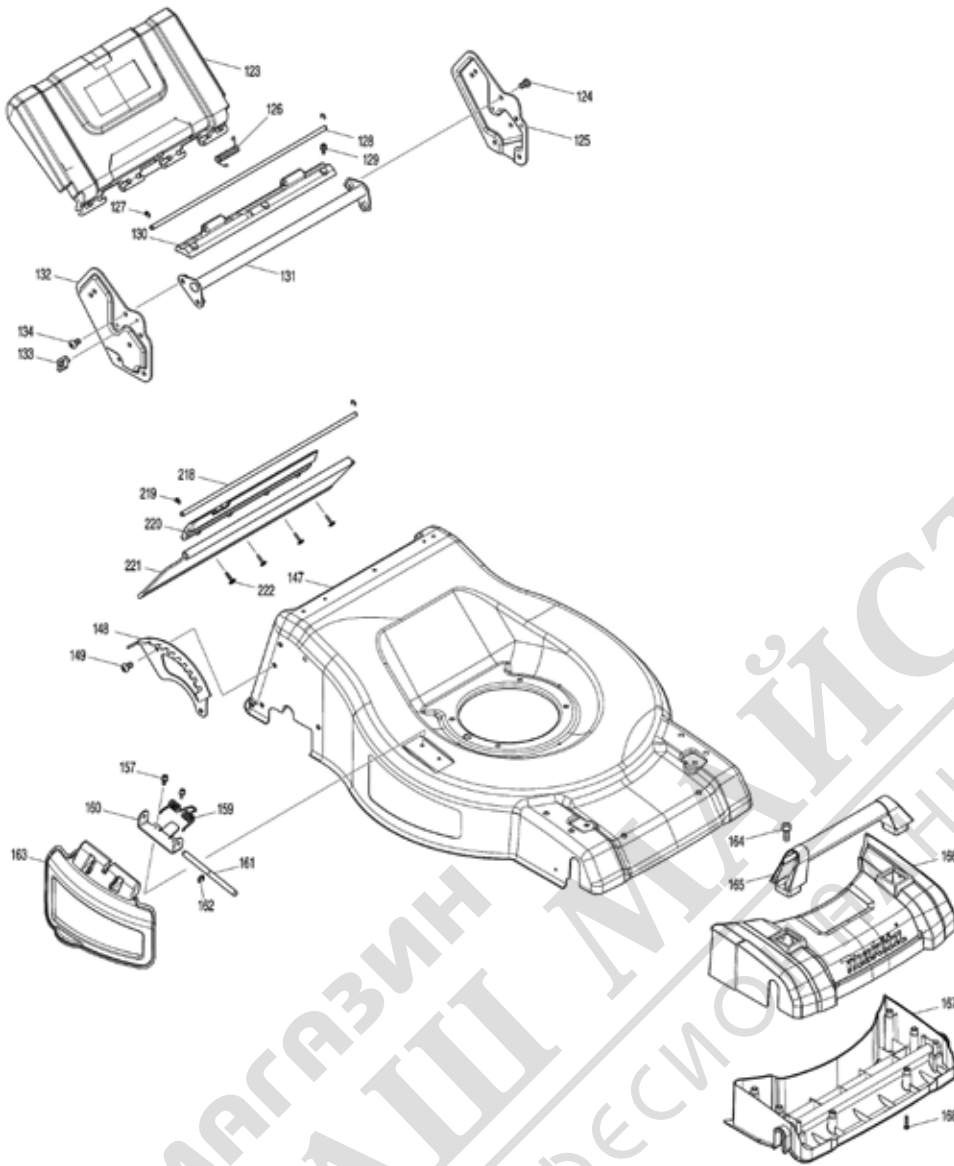
МАГАЗИН МАЙСТОРА
БАШКОМАЛНИ РЕШЕНИЯ

Model No.DLM530 460MM CORDLESS LAWN MOWER



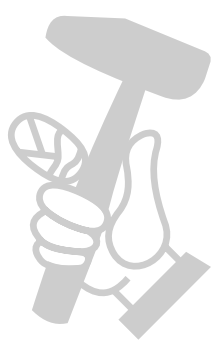
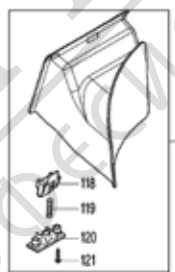
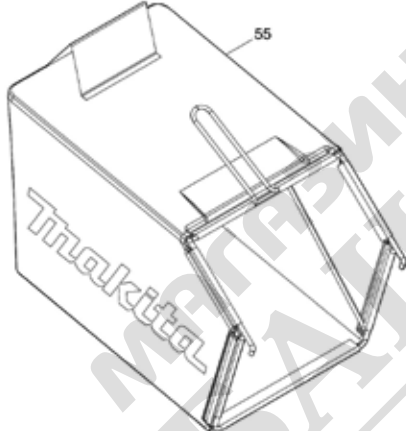
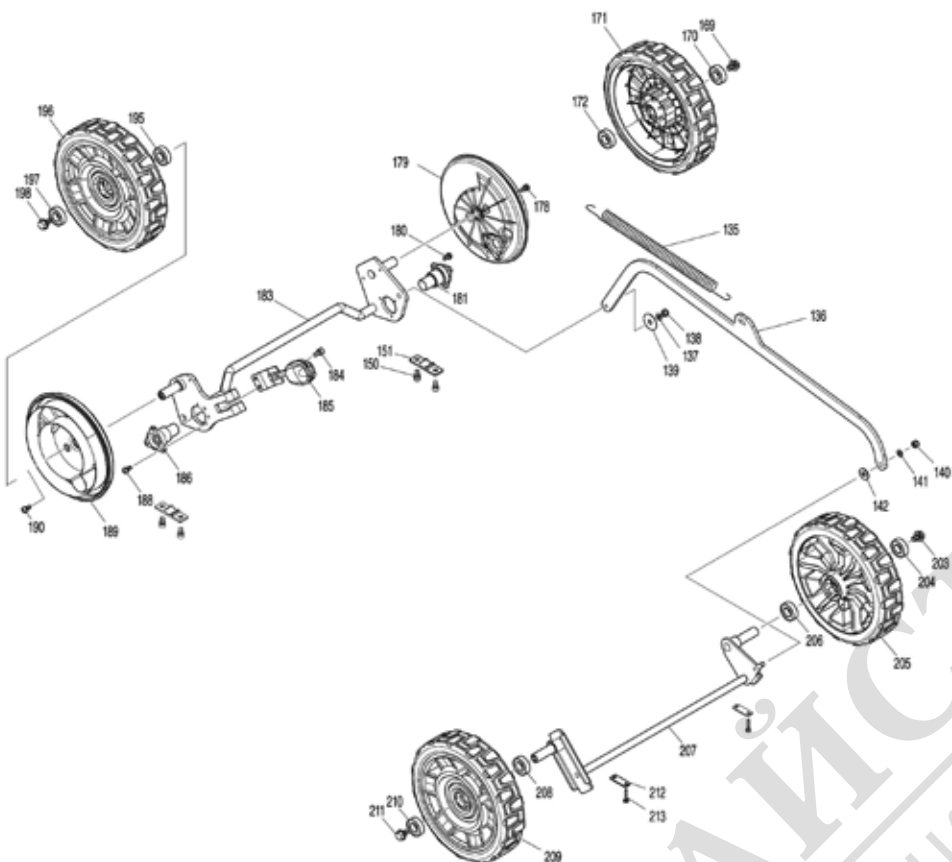
МАГАЗИН МАКИТОРА
БАШ МАКИТОРА
ПРОФЕССИОНАЛЬНЫЕ РЕШЕНИЯ

Model No.DLM530 460MM CORDLESS LAWN MOWER



МАГАЗИН МАЙСТОРА®
БАШ ПРОФЕСИОНАЛНИ РЕШЕНИЯ

Model No.DLM530 460MM CORDLESS LAWN MOWER



МАЙСТОР
ПРОФЕСІОНАЛНИ РЕШЕННЯ

Model No.DLM530 460MM CORDLESS LAWN MOWER

| Артикул | Номер на частта | Описание | Смяна | Количество | New/Old | Продажба | Покупка | Забележка |
|---------|-----------------|-----------------------------|-------|------------|---------|----------|---------|-----------|
| 013 | 266424-2 | TAPPING SCREW 4X20 | | 6 | | | | |
| 014 | 183N81-4 | SWITCH BOX SET | | 1 | | | | |
| | D10 | INC. 26 | | | | | | |
| 015 | 140F09-7 | SWITCH CIRCUIT COMPLETE | | 1 | | | | |
| | C10 | 810D46-0 | | 1 | | | | |
| 016 | 140F10-2 | SWITCH CIRCUIT COMPLETE | | 1 | | | | |
| | C10 | 818A74-1 | | 1 | | | | |
| 017 | 232575-3 | TORSION SPRING 12 | | 1 | | | | |
| 018 | 266424-2 | TAPPING SCREW 4X20 | | 2 | | | | |
| 019 | 687124-5 | STRAIN RELIEF | | 1 | | | | |
| 020 | 459908-9 | SWITCH BOX | | 1 | | | | |
| 021 | 620C48-0 | INDICATION CIRCUIT COMPLETE | | 1 | | | | |
| | C10 | 8007C8-5 | | 1 | | | | |
| 026 | 183N81-4 | SWITCH BOX SET | | 1 | | | | |
| | D10 | INC. 14 | | | | | | |
| 027 | 266424-2 | TAPPING SCREW 4X20 | | 5 | | | | |
| 030 | 911138-5 | PAN HEAD SCREW M4X20 | | 1 | | | | |
| 031 | 459863-5 | SWITCH LEVER SUPPORT L | | 1 | | | | |
| | C10 | 931102-0 | | 1 | | | | |
| 032 | 327424-8 | SWITCH LEVER | | 1 | | | | |
| 033 | 459856-2 | SWITCH LEVER SUPPORT R | | 1 | | | | |
| | C10 | 931102-0 | | 1 | | | | |
| 034 | 911138-5 | PAN HEAD SCREW M4X20 | | 1 | | | | |
| 035 | 183P40-0 | LEVER BOX SET | | 1 | | | | |
| | C10 | 8007C6-9 | | 1 | | | | |
| | D10 | INC. 41 | | | | | | |
| 036 | 459857-0 | LOCK OFF BUTTON | | 1 | | | | |
| 037 | 231227-3 | COMPRESSION SPRING 15 | | 1 | | | | |
| 038 | 632E26-0 | SWITCH UNIT | | 1 | | | | |
| 039 | 687124-5 | STRAIN RELIEF | | 1 | | | | |
| 040 | 266424-2 | TAPPING SCREW 4X20 | | 2 | | | | |
| 041 | 183P40-0 | LEVER BOX SET | | 1 | | | | |
| | C10 | 8007C6-9 | | 1 | | | | |
| | D10 | INC. 35 | | | | | | |
| 042 | 266424-2 | TAPPING SCREW 4X20 | | 6 | | | | |
| 043 | 699144-7 | POWER SUPPLY CORD UNIT | | 1 | | | | |
| 044 | 327421-4 | HANDLE UPPER | | 1 | | | | |
| 045 | 252278-3 | HEX. CAP NUT M8 | | 1 | | | | |
| 046 | 327422-2 | HANDLE LOWER | | 1 | | | | |
| 047 | 265A62-3 | FLAT HEAD BOLT M8X38 | | 1 | | | | |
| 048 | 265A62-3 | FLAT HEAD BOLT M8X38 | | 1 | | | | |
| 049 | 252278-3 | HEX. CAP NUT M8 | | 1 | | | | |
| 050 | 459905-5 | CLAMP | | 1 | | | | |
| 051 | 921451-3 | HEX. BOLT M8X30 | | 2 | | | | |
| 052 | 459905-5 | CLAMP | | 1 | | | | |
| 053 | 921451-3 | HEX. BOLT M8X30 | | 2 | | | | |
| 054 | 699142-1 | POWER SUPPLY CORD UNIT | | 1 | | | | |

Please order the parts with part number.

Print Date 15/5/2020

Model No.DLM530 460MM CORDLESS LAWN MOWER

| Артикул | Номер на частта | Описание | Смяна | Количество | New/Old | Продажба | Покупка | Забележка |
|---------|-----------------|-------------------------|-------|------------|---------|----------|---------|-----------|
| 055 | 127412-3 | GRASS CATCHER ASSEMBLY | | 1 | | | | |
| 056 | 140S03-7 | BATTERY COVER COMPLETE | | 1 | | | | |
| C10 | 890380-0 | CAUTION LABEL | | 1 | | | | |
| 057 | 961018-5 | STOP RING E-5 | | 1 | | | | |
| 058 | 327536-7 | ROD 6 | | 1 | | | | |
| 059 | 643535-4 | KEY | | 1 | | | | |
| 060 | 266404-8 | TAPPING SCREW BIND 3X14 | | 1 | | | | ® |
| 061 | 459851-2 | SWITCH LEVER | | 1 | | | | |
| 062 | 213896-2 | O-RING 24 | | 1 | | | | |
| 063 | 459852-0 | LOCK LEVER | | 1 | | | | |
| 064 | 231037-8 | COMPRESSION SPRING 7 | | 1 | | | | |
| 065 | 266424-2 | TAPPING SCREW 4X20 | | 7 | | | | |
| 066 | 459847-3 | COWLING UPPER | | 1 | | | | |
| 067 | 856P83-2 | DLM530 NAME PLATE | | 1 | | | | |
| 068 | 183N78-3 | TERMINAL HOUSING SET | | 2 | | | | |
| C10 | 263005-3 | RUBBER PIN 6 | | 8 | | | | |
| D10 | | INC. 73 | | | | | | |
| 069 | 266424-2 | TAPPING SCREW 4X20 | | 6 | | | | |
| 070 | 856P90-5 | DLM530 SERIAL NO. LABEL | | 1 | | | | |
| 071 | 644809-6 | TERMINAL | | 4 | | | | |
| 072 | 266424-2 | TAPPING SCREW 4X20 | | 8 | | | | |
| 073 | 183N78-3 | TERMINAL HOUSING SET | | 2 | | | | |
| C10 | 263005-3 | RUBBER PIN 6 | | 8 | | | | |
| D10 | | INC. 68 | | | | | | |
| 080 | 266424-2 | TAPPING SCREW 4X20 | | 2 | | | | |
| 081 | 687124-5 | STRAIN RELIEF | | 1 | | | | |
| 082 | 687051-6 | STRAIN RELIEF | | 1 | | | | |
| 083 | 620C46-4 | CONTROLLER | | 1 | | | | |
| 084 | 266424-2 | TAPPING SCREW 4X20 | | 2 | | | | |
| 085 | 632P74-5 | LEAD UNIT | | 1 | | | | |
| 086 | 422529-0 | SPONGE B | | 1 | | | | |
| 088 | 422528-2 | SPONGE A | | 1 | | | | |
| 089 | 651444-3 | SWITCH 1703.4703 | | 1 | | | | |
| 091 | 266424-2 | TAPPING SCREW 4X20 | | 2 | | | | |
| 092 | 687124-5 | STRAIN RELIEF | | 1 | | | | |
| 093 | 687051-6 | STRAIN RELIEF | | 1 | | | | |
| 094 | 911233-1 | PAN HEAD SCREW M5X20 | | 4 | | | | |
| 095 | 459848-1 | COWLING LOWER | | 1 | | | | |
| 096 | 319869-4 | MOTOR HOUSING UPPER | | 1 | | | | |
| 097 | 253455-0 | WAVE WASHER 19 | | 1 | | | | |
| 098 | 210141-6 | BALL BEARING 600DDW | | 1 | | | | |
| 099 | 519606-8 | ROTOR ASS'Y | | 1 | | | | |
| D10 | | INC. 98,100 | | | | | | |
| 100 | 211387-7 | BALL BEARING 6004LLU | | 1 | | | | |
| 101 | 265B29-7 | TAPPING SCREW PT 2X8 | | 2 | | | | |
| 102 | 620B88-2 | CONTROLLER B | | 1 | | | | |
| 103 | 629465-3 | STATOR | | 1 | | | | |
| 104 | 319870-9 | MOTOR HOUSING LOWER | | 1 | | | | |

Please order the parts with part number.

Print Date 15/5/2020

Model No.DLM530 460MM CORDLESS LAWN MOWER

| Артикул | Номер на частта | Описание | Смяна | Количество | New/Old | Продажба | Покупка | Забележка |
|---------|-----------------|--------------------------------|-------|------------|---------|----------|---------|-----------|
| 105 | 911691-1 | PAN HEAD SCREW M5X70 | | 3 | | | | |
| 106 | 652031-1 | PAN HEAD SCREW M3X6 | | 3 | | | | |
| 107 | 911233-1 | PAN HEAD SCREW M5X20 | | 4 | | | | |
| 108 | 922441-9 | HEX. SOCKET HEAD BOLT M8X25 | | 4 | | | | |
| 109 | 319867-8 | MOTOR BRACKET | | 1 | | | | |
| 110 | 459853-8 | BAFFLE PLATE | | 1 | | | | |
| 111 | 911126-2 | PAN HEAD SCREW M4X16 | | 4 | | | | |
| 112 | 240205-2 | FAN 170 | | 1 | | | | |
| 113 | 319868-6 | BLADE SUPPORT | | 1 | | | | |
| 114 | 266424-2 | TAPPING SCREW 4X20 | | 2 | | | | |
| 115 | 191D52-7 | BLADE 530 SET | | 1 | | | | |
| 116 | 265A69-9 | HEX. BOLT M10X35 WITH WG | | 1 | | | | |
| 117 | 127516-1 | MULCHING PLUG ASSEMBLY | | 1 | | | | |
| D10 | | INC. 118-121 | | | | | | |
| 118 | 459884-7 | LOCK LEVER | | 1 | | | | |
| 119 | 231401-3 | COMPRESSION SPRING 7 | | 1 | | | | |
| 120 | 459885-5 | LOCK LEVER SUPPORT | | 1 | | | | |
| 121 | 266424-2 | TAPPING SCREW 4X20 | | 2 | | | | |
| 123 | 140R96-8 | REAR FLAP COMPLETE | | 1 | | | | |
| C10 | 8007P8-6 | CAUTION LABEL | | 1 | | | | |
| 124 | 265B20-5 | HEX.SOCKET BUTTON HEAD BOLT M8 | | 4 | | | | |
| 125 | 347579-3 | HANDLE BRACKET L | | 1 | | | | |
| 126 | 233597-6 | TORSION SPRING 8 | | 1 | | | | |
| 127 | 961018-5 | STOP RING E-5 | | 2 | | | | |
| 128 | 327418-3 | ROD 6 | | 1 | | | | |
| 129 | 922213-2 | H.S.H.BOLT M5X12 WITH WR | | 3 | | | | |
| 130 | 459877-4 | REAR FLAP HOLDER PLATE | | 1 | | | | |
| 131 | 162692-4 | REAR GRIP | | 1 | | | | |
| 132 | 347578-5 | HANDLE BRACKET R | | 1 | | | | |
| 133 | 451825-9 | CLAMP | | 1 | | | | |
| 134 | 265B20-5 | HEX.SOCKET BUTTON HEAD BOLT M8 | | 4 | | | | |
| 135 | 232628-8 | TENSION SPRING 16 | | 1 | | | | |
| 136 | 347580-8 | CONNECTING ROD | | 1 | | | | |
| 137 | 941151-9 | FLAT WASHER 6 | | 1 | | | | |
| 138 | 252014-7 | HEX. LOCK NUT M6-10 | | 1 | | | | |
| 139 | 267216-2 | FLAT WASHER 8 | | 1 | | | | |
| 140 | 252014-7 | HEX. LOCK NUT M6-10 | | 1 | | | | |
| 141 | 941151-9 | FLAT WASHER 6 | | 1 | | | | |
| 142 | 253762-1 | FLAT WASHER 8 | | 1 | | | | |
| 147 | 347591-3 | DECK | | 1 | | | | |
| 148 | 347582-4 | HEIGHT ADJUST PLATE | | 1 | | | | |
| 149 | 265B20-5 | HEX.SOCKET BUTTON HEAD BOLT M8 | | 2 | | | | |
| 150 | 922311-2 | HEX. SOCKET HEAD BOLT M6X12 | | 4 | | | | |

Please order the parts with part number.

Print Date 15/5/2020

Model No.DLM530 460MM CORDLESS LAWN MOWER

| Артикул | Номер на частта | Описание | Смяна | Количество | New/Old | Продажба | Покупка | Забележка |
|---------|-----------------|------------------------------|-------|------------|---------|----------|---------|-----------|
| 151 | 313290-9 | REAR SHAFT HOLDER COVER | | 2 | | | | |
| 157 | 922213-2 | H.S.H.BOLT M5X12 WITH WR | | 2 | | | | |
| 159 | 232567-2 | TORSION SPRING 9 | | 1 | | | | |
| 160 | 347584-0 | SIDE DISCHARGE PLATE | | 1 | | | | |
| 161 | 327420-6 | ROD 8 | | 1 | | | | |
| 162 | 961013-5 | STOP RING E-7 | | 1 | | | | |
| 163 | 459886-3 | SIDE DISCHARGE COVER | | 1 | | | | |
| 164 | 922441-9 | HEX. SOCKET HEAD BOLT M8X25 | | 2 | | | | |
| 165 | 459870-8 | FRONT GRIP | | 1 | | | | |
| 166 | 459871-6 | FRONT COVER | | 1 | | | | |
| 167 | 459872-4 | DECK UNDER COVER | | 1 | | | | |
| 168 | 266424-2 | TAPPING SCREW 4X20 | | 6 | | | | |
| 169 | 265324-3 | HEX. FLANGE HEAD BOLT M8X12 | | 1 | | | | |
| 170 | 211247-3 | BALL BEARING 6002DDW | | 1 | | | | |
| 171 | 127513-7 | REAR WHEEL ASSEMBLY | | 1 | | | | |
| 172 | 211247-3 | BALL BEARING 6002DDW | | 1 | | | | |
| 178 | 911213-7 | PAN HEAD SCREW M5X12 | | 2 | | | | |
| 179 | 459867-7 | WHEEL CAP | | 1 | | | | |
| 180 | 911213-7 | PAN HEAD SCREW M5X12 | | 3 | | | | |
| 181 | 327435-3 | REAR SHAFT HOLDER | | 1 | | | | |
| 183 | 162689-3 | REAR SHAFT | | 1 | | | | |
| 184 | 922311-2 | HEX. SOCKET HEAD BOLT M6X12 | | 2 | | | | |
| 185 | 162694-0 | HEIGHT ADJUST LEVER COMPLETE | | 1 | | | | |
| 186 | 327435-3 | REAR SHAFT HOLDER | | 1 | | | | |
| 188 | 911213-7 | PAN HEAD SCREW M5X12 | | 3 | | | | |
| 189 | 459867-7 | WHEEL CAP | | 1 | | | | |
| 190 | 911213-7 | PAN HEAD SCREW M5X12 | | 2 | | | | |
| 195 | 211247-3 | BALL BEARING 6002DDW | | 1 | | | | |
| 196 | 127513-7 | REAR WHEEL ASSEMBLY | | 1 | | | | |
| 197 | 211247-3 | BALL BEARING 6002DDW | | 1 | | | | |
| 198 | 265324-3 | HEX. FLANGE HEAD BOLT M8X12 | | 1 | | | | |
| 203 | 265324-3 | HEX. FLANGE HEAD BOLT M8X12 | | 1 | | | | |
| 204 | 211247-3 | BALL BEARING 6002DDW | | 1 | | | | |
| 205 | 127514-5 | FRONT WHEEL ASSEMBLY | | 1 | | | | |
| 206 | 211247-3 | BALL BEARING 6002DDW | | 1 | | | | |
| 207 | 162688-5 | FRONT SHAFT | | 1 | | | | |
| 208 | 211247-3 | BALL BEARING 6002DDW | | 1 | | | | |
| 209 | 127514-5 | FRONT WHEEL ASSEMBLY | | 1 | | | | |
| 210 | 211247-3 | BALL BEARING 6002DDW | | 1 | | | | |
| 211 | 265324-3 | HEX. FLANGE HEAD BOLT M8X12 | | 1 | | | | |

Please order the parts with part number.

Print Date 15/5/2020

Model No.DLM530 460MM CORDLESS LAWN MOWER

| Артикул | Номер на частта | Описание | Смяна | Количество | New/Old | Продажба | Покупка | Забележка |
|---------|-----------------|-------------------------|-------|------------|---------|----------|---------|-----------|
| 212 | 341462-6 | PLATE | | 2 | | | | |
| 213 | 266424-2 | TAPPING SCREW 4X20 | | 4 | | | | |
| 215 | 422533-9 | GROMMET | | 1 | | | | |
| 216 | 459907-1 | HANDLE COVER | | 1 | | | | |
| 217 | 459907-1 | HANDLE COVER | | 1 | | | | |
| A01 | 327589-6 | ROD 6 | | 1 | | | | |
| A02 | 782210-8 | SOCKET WRENCH 17 | | 1 | | | | |
| A03 | 782212-4 | SOCKET WRENCH 13 | | 1 | | | | |
| A04 | 459887-1 | SIDE DISCHARGE MOUTH | | 1 | | | | |
| E01 | 8018P2-7 | SOUND 93DB LABEL | | 1 | | | | |

Please order the parts with part number.

Print Date 15/5/2020



МАГАЗИН МАЙСТОРА
БАШ МАЙСТОРА
ПРОФЕСИОНАЛНИ РЕШЕНИЯ