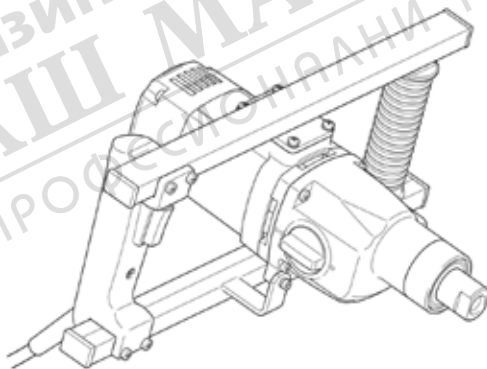
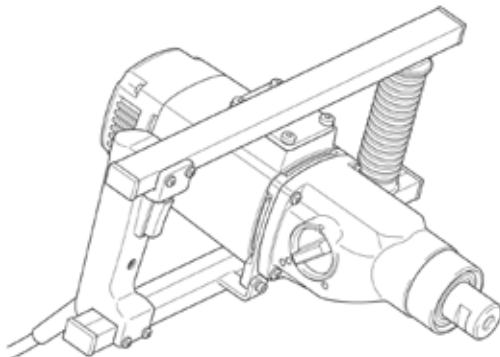


GB	Hand-Held Mixer	Original Instructions
F	Batteur mélangeur	Notice originale
D	Rührgerät	Originalbetriebsanleitung
I	Miscelatore manuale	Istruzioni originali
NL	Roerrichting	Oorspronkelijke gebruiksaanwijzing
E	Agitador manual	Instrucciones de servicio originales
P	Misturadora de Mão	Instruções Originais
DK	Røreværk	Original brugsanvisning
GR	Αναμεικτήρας	Ελληνική μετάφραση

UT 1401



UT 1600



**Technical data**





		<b>UT 1401</b>		<b>UT 1600</b>	
Rated voltage:		110 V ~	230 V ~	110 V ~	230 V ~
Power input:		1050 W	1300 W	1500 W	1800 W
Rated speed:	I	0–250 rpm		0–210 rpm	0–250 rpm
	II	0–450 rpm		0–480 rpm	0–580 rpm
Frequency:		50 Hz			
Tool holder:		M 14			
Safety class:		II			
Safety degree:		IP 20			
Weight according to EPTA Procedure 01/2003:		5,5 kg		7,1 kg	

This manual shall be subject to modification without prior notice in the course of developments and technical progress.

**Note:** The technical data may differ depending on the country.

**Symbols**

The following symbols are used for the equipment. It is important to know their meaning before you use the tool.

	Read instructions
	Work with concentration and care. Keep your workplace clean and avoid hazardous situations.
	Precautions shall be taken to protect operators.
	Double protective insulation

**Intended use**

The mixer **UT 1401** is used to stir and mix prefab plaster, gypsum, lime, concrete and other building materials of medium and high viscosity in batches up to 50 kg. The diameter of the stirrers that are used should not exceed 140mm.

The mixer **UT 1600** is designed for use in mixing material of high viscosity, such as prefab mortar and plaster, cement, lime, concrete, quartz-filled epoxy resins, screed, pastes, sealing compounds as well as gypsum and granulates in batches up to 80 kg. The diameter of the mixing agitators must not exceed a value of 180mm.

The user shall be responsible for damages caused by inappropriate use.

Generally accepted accident prevention regulations and the safety instructions enclosed shall be observed.

## Power supply

The machine shall only be connected to the voltage stated on the type plate and it only works with single-phase AC voltage. It is provided with double protective insulation according to European standards and thus, it may be also connected to sockets without ground cable.

Do only use extension cables with sufficient cross section. A cross section that is too small may lead to excessive loss of power and overheating of the tool and the cable.

## Safety Instructions

### WARNING!

#### Read all safety warnings and all instructions.

Failure to follow the warnings and instructions may result in electric shock, fire and/or serious injury.

Save all warnings and instructions for future reference.

#### ADDITIONAL SAFETY RULES FOR THIS MACHINE:

1. If the connecting cable is damaged or cut during work, do not touch it and immediately disconnect the power plug. In any case, do not work with the tool if the connecting cable is damaged.
2. The tool should not be humid and it should not be operated in a humid environment.
3. Do not use the tool to mix explosive or easily inflammable substances and do not use it in areas close to these substances.
4. Do not use the cable to carry the tool.
5. Do always inspect the tool, the cable and the plug before using it. Repairs shall only be carried out by an expert. The plug shall only be connected to the socket if the tool is switched off.
6. Do only operate the tool outdoor with a residual current circuit breaker with a maximum of 30 mA.
7. Do not leave the hand-held mixer running unattended.
8. Do disconnect the power plug and check if the hand-held mixer is switched off when it is left unattended, e.g. during assembly and disassembly work, voltage drop, insertion and/or assembly of accessories.
9. Do switch off the tool if it stops to operate due to whatever cause in order to avoid a sudden start of operation when it is unattended.
10. Do always lead the cable away behind the tool.
11. Do not use the tool if a part of the housing and/or the switch, cable or plug is damaged.
12. Power tools shall be inspected by an expert regularly.
13. Do not touch rotating parts.
14. Be careful with long hair. Do not wear loose clothing.
15. Do not manipulate the tool.
16. Do ensure that the handle bars are dry, clean and free from oil and grease.
17. When the tool is operated manually, make sure that you always hold the tool with both hands and you stand in a firm position. Be aware of the reaction moment of the tool.

18. Hold power tool by insulated gripping surfaces, when performing an operation where the cutting accessory may contact hidden wiring or its own cord. Cutting accessory contacting a “live” wire may make exposed metal parts of the power tool “live” and could give the operator an electric shock.

## **Operating the machine**

Wrong use may result in damages. Therefore, the following instructions shall always be observed:

Use stirrers recommended by the manufacturer (maximum diameter: 140 mm (UT1401), 180 mm (UT1600) with M14 thread).

Do not overload the machine in a way that causes a standstill.

## **Tool change**

Caution!

Do always remove the power plug before carrying out any work on the tool. You may catch your fingers when inserting the tool. Therefore, do always wear protective gloves when changing tools.

The work spindle of the tool is provided with a M14 internal thread. Keep thread and front surfaces clean. Do use a SW 22 (UT 1401) or SW 27 (UT 1600) spanner to remove the stirrer and to hold up the work spindle.

## **Switching the machine on and off**

### Short-Time Operation

Starting the machine: Press on/off switch

Stopping the machine: Release on/off switch

### Permanent Operation

Starting the machine: Press on/off switch and while keeping it pressed, engage the lock button

Stopping the machine: Press on/off switch again and release it

The mixer has an electronic switch in order to regulate the speed level by keystrokes.

It is recommended to only use it when the machine is started or stopped in order to avoid splashing material. If the continuous mode is operated with reduced speed, it leads to overstress because the machine is not provided with enough cooling air and overheating will occur significantly faster.

## **Speed Selection**

The machine is equipped with a mechanical two-speed gearbox. Select the required speed by rotate the gear selector. The position of the lower speed is in direction of the working spindle. Change the speed only when the machine is not running, and support the speed-changing by slightly rotating the work spindle.

## Care and Maintenance

Repairs shall only be carried out by qualified staff trained and experienced in this area. The tool shall be inspected by a skilled electrician after every repair. The power tool is designed to require only a minimum of maintenance and care. However, the following work shall be carried out and/or the following parts shall be inspected regularly:

- Do always keep the power tool and the ventilation slots clean.
- Make sure that no foreign objects get into the power tool.
- If the tool breaks down, the repair shall only be carried out by an authorised shop.

## Information on noise and vibration

Measured values determined according to EN 60745

The A-weighted noise level of the tool is typically:

	UT 1401	UT 1600	
		110 V ~	230 V ~
Sound pressure level ( $L_{PA}$ )	86 dB(A)	85 dB(A)	87 dB(A)
Sound power level ( $L_{WA}$ )	97 dB(A)	96 dB(A)	98 dB(A)
Uncertainty K	3 dB	3 dB	

## Wear ear protection!

	UT 1401	UT 1600	
		110 V ~	230 V ~
Hand-arm vibration	0,5 m/s <sup>2</sup>	0,75 m/s <sup>2</sup>	1,03 m/s <sup>2</sup>
Uncertainty K	1,5 m/s <sup>2</sup>	1,5 m/s <sup>2</sup>	

Measured values determined according to EN 60745

The vibration emission level indicated in these instructions has been measured in accordance with a standardised test method given in EN 60745 and can be used to compare one tool with another. It is also suitable for a preliminary evaluation of the vibration emission level.

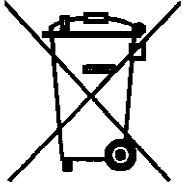
The vibration emission level set out in these instructions presents the main applications of the power tool. If the power tool is used for other applications or with different tools or if maintenance is not sufficient, the vibration emission level may vary. This may lead to a significantly higher vibration emission level during the whole working period.

In order to be accurate, an estimation of the level of exposure to vibration should also take into account the times when the tool is switched off and when it is running but not actually used. This may significantly reduce the level of exposure to vibration during the whole working period.

Additional protective measures in order to protect the operator from vibration effects, e.g. maintenance of power tools and tools, keeping hands warm, organisation of work processes, shall be determined.

## Environmental Protection

### Only for EU countries



In observance of the European Directive 2012/19/EC on waste electrical and electronic equipment and its implementation in accordance with national law, electric tools that have reached the end of their life must be collected separately and returned to an environmentally compatible recycling facility.

## EC Declaration of Conformity

**We Makita Corporation as the responsible Manufacturer declare that the following Makita Machine(s):**

Designation of Machine: Hand-Held Mixer  
Model No / Type: UT 1401 / UT 1600  
Are of series production and

**Conforms to the following European Directives:**  
2006/42/EC

And are manufactured in accordance to the following standards or standardised Documents:

EN 60745

In observance of European Directive on waste electrical and electronic equipment and its implementation in accordance with national law.

The Technical Documentation is kept by:

Makita International Europe Ltd,  
Technical Department  
Michigan, Drive, Tongwell,  
Milton Keynes, Bucks MK15 8JD, England.

01.04.2013

Tomoyasu Kato

Director

Responsible manufacturer

### **Makita Corporation**

3-11-8, Sumiyoshi-cho, Anjo, Aichi, 446-8502 JAPAN

Authorised representation in Europe:

### **Makita International Europe Ltd.**

Michigan Drive, Tongwell, Milton Keynes  
Milton Keynes Bucks MK15 8JD, England