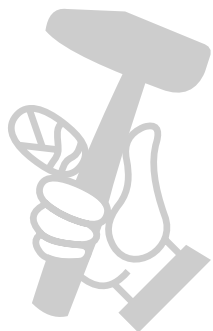




SPARE PARTS LIST

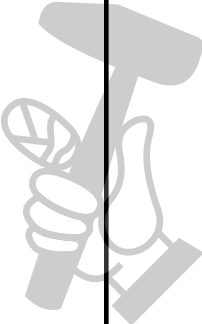
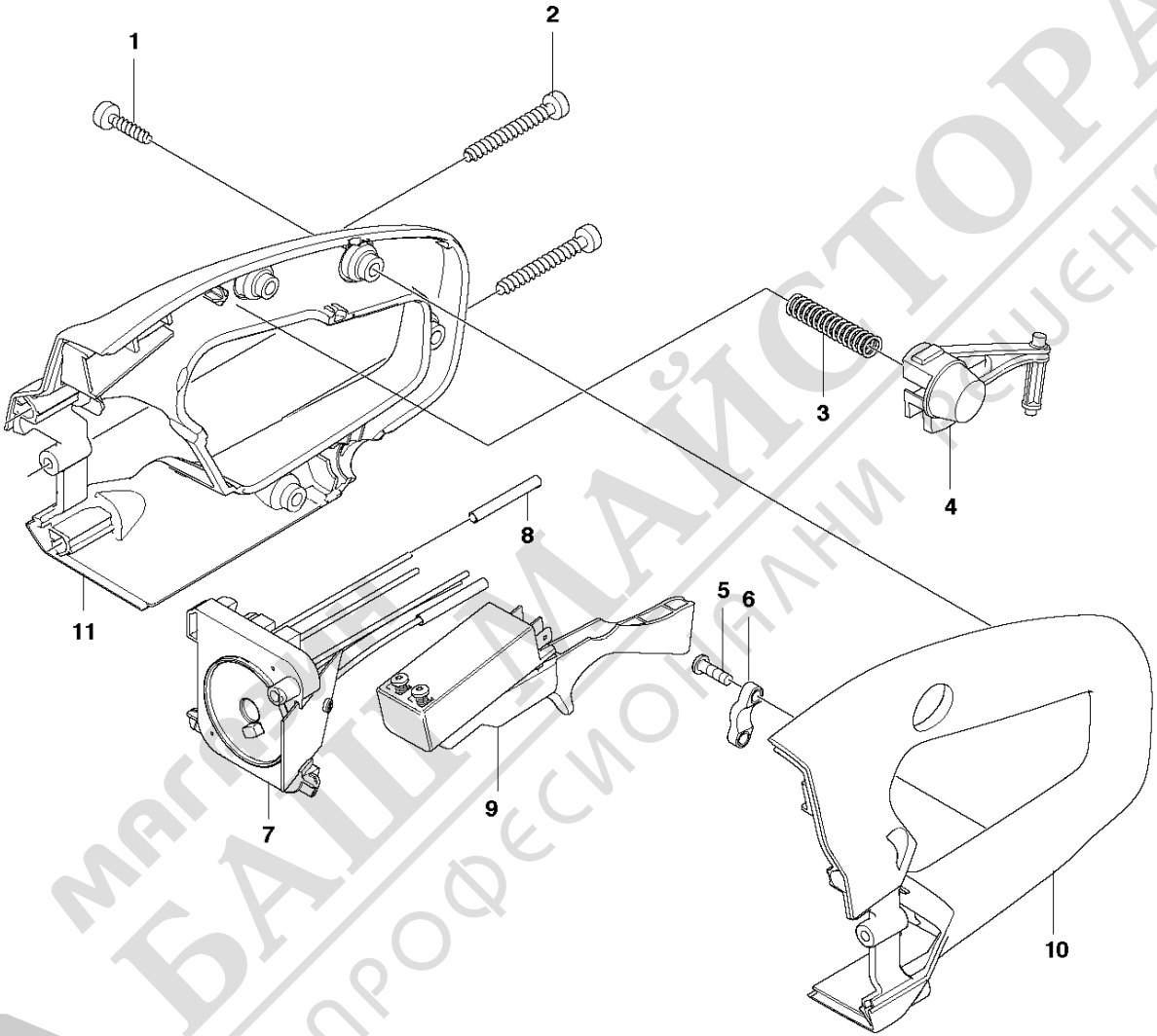
POWER CUTTERS

K 4000, 2018-03



МАГАЗИН МАКСТОРА®
БАШ ПРОФЕСИОНАЛНИ РЕШЕНИЯ

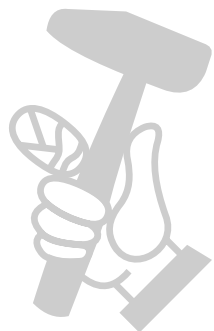
A K4000



HANDLE

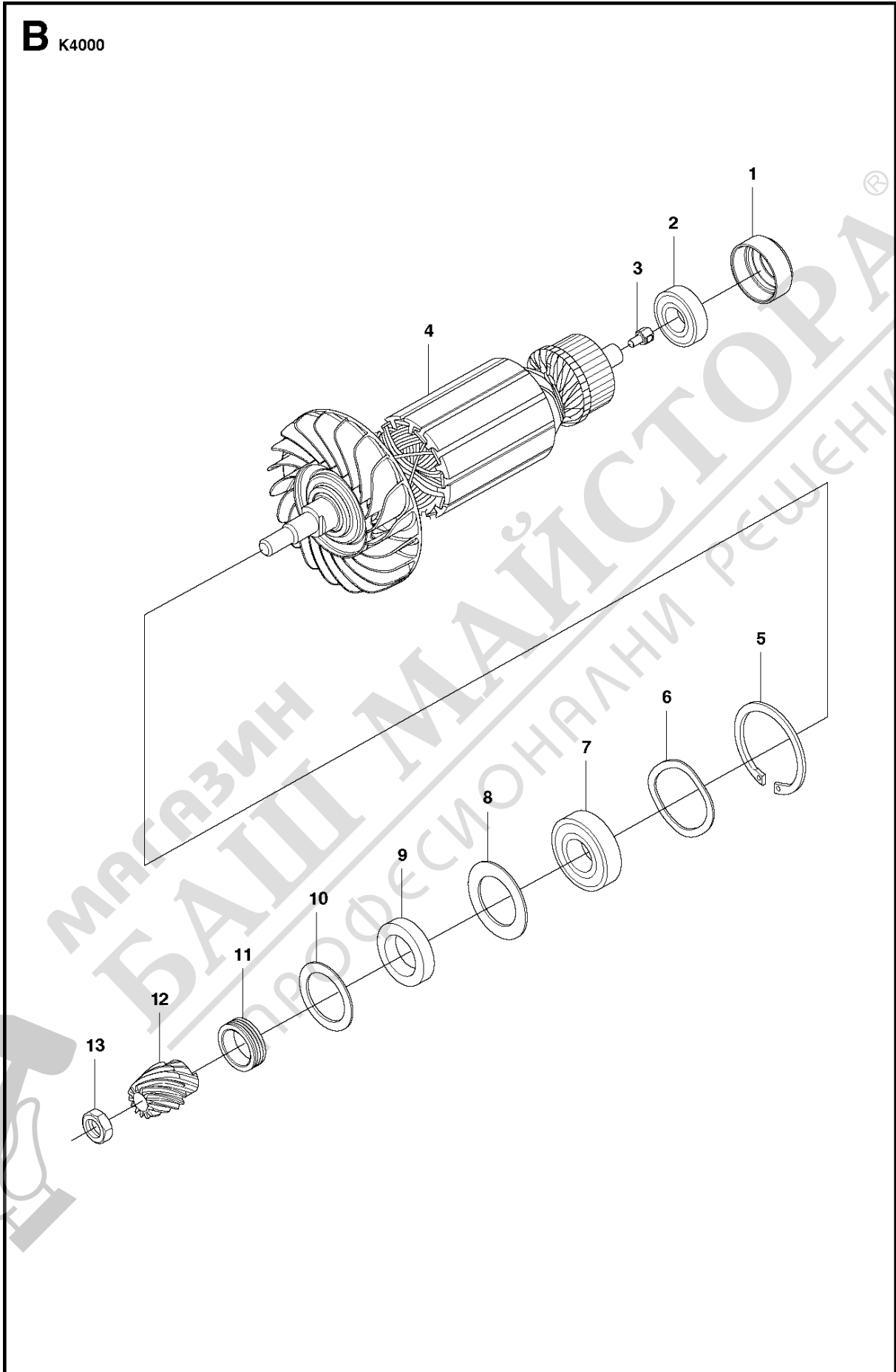
K 4000, 2018-03

Ref	Part No	Description	Remark	QTY KIT
1	589 53 01-01	SCREW ITXSCT		4
2	589 58 33-01	SCREW		4
3	577 48 19-01	SPRING		1
4	589 65 73-02	LOCKING BUTTON		1
5	590 93 57-01	SCREW		2
6	531 03 18-87	CLIP		1
7	577 01 01-05	HOLDER ASSY	100-120V, incl 8	1
7	577 01 01-06	HOLDER ASSY	230V, incl 8	1
8	578 03 26-01	SLEEVE	100-120V	1
8	578 03 24-01	SLEEVE	230V	2
9	531 03 18-83	SWITCH		1
10	582 33 02-01	HANDLE HALF		1
11	582 33 03-01	HANDLE HALF		1

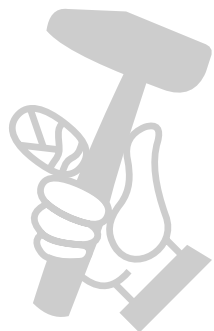


МАГАЗИН МАЙСТОРА
БАШ МАЙСТОРА
ПРОФЕСИОНАЛНИ РЕШЕНИЯ

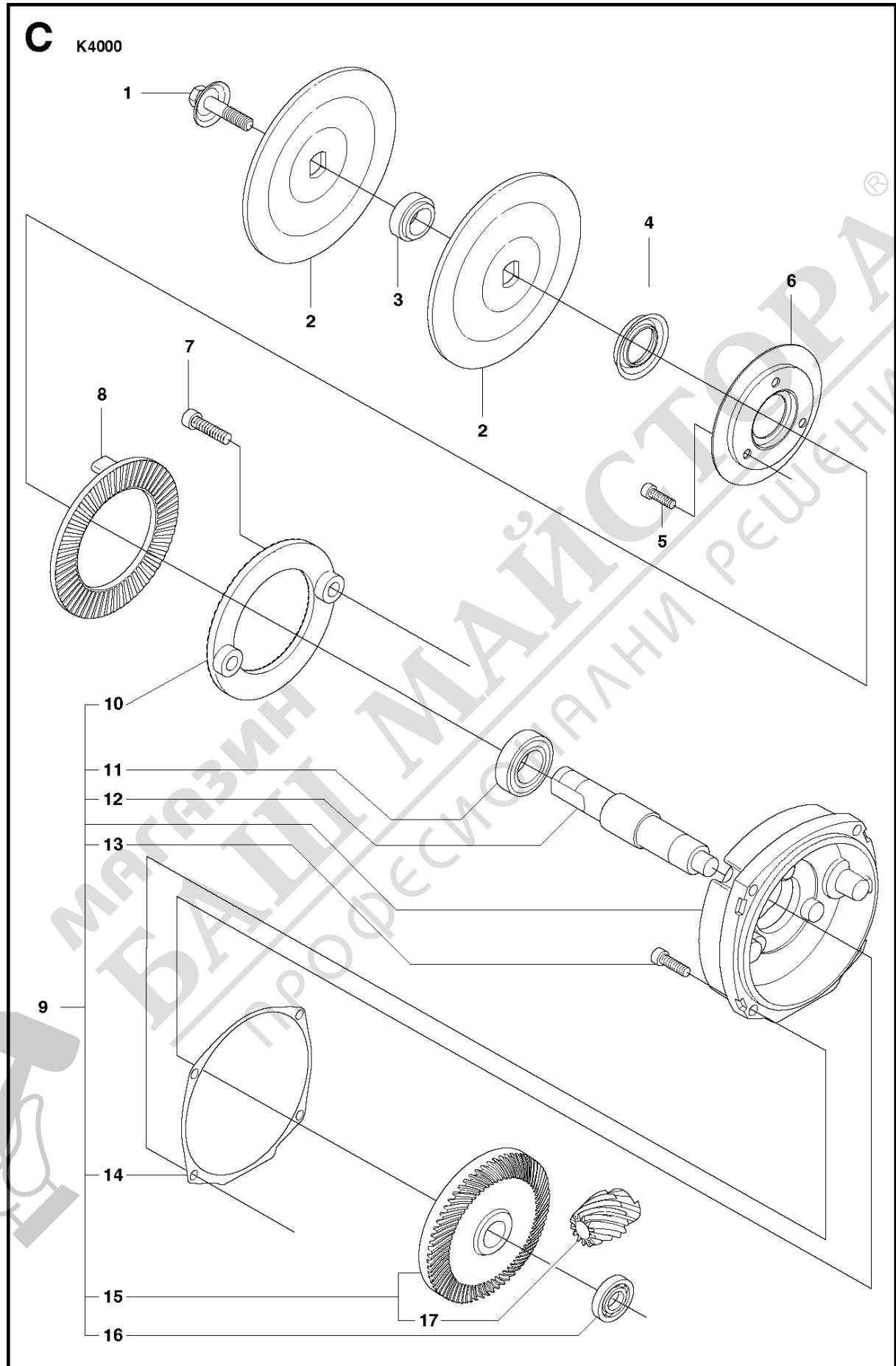
B K4000



Ref	Part No	Description	Remark	QTY KIT
1	577 06 66-01	RUBBER BUSHING		1
2	503 25 09-01	BEARING		1
3	579 25 62-01	SCREW		1
4	582 58 66-02	ROTOR	100-120V	1
4	582 58 66-01	ROTOR	230V	1
5	735 31 33-10	CIRCLIP		1
6	505 53 03-51	SPRING WASHER		1
7	531 07 39-44	BALL BEARING		1
8	505 53 03-16	SPACER		1
9	505 53 03-41	FELT		1
10	505 53 03-52	SPACER		1
11	505 53 03-19	SPACER		1
12	506 09 86-02	PINION		1
13	523 12 24-02	NUT		1



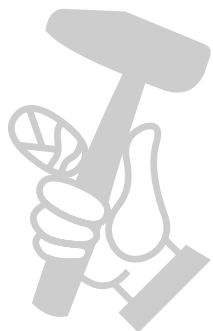
МАГАЗИН МАЙСТОРА
БАШ МАЙСТОРА
ПРОФЕСИОНАЛНИ РЕШЕНИЯ



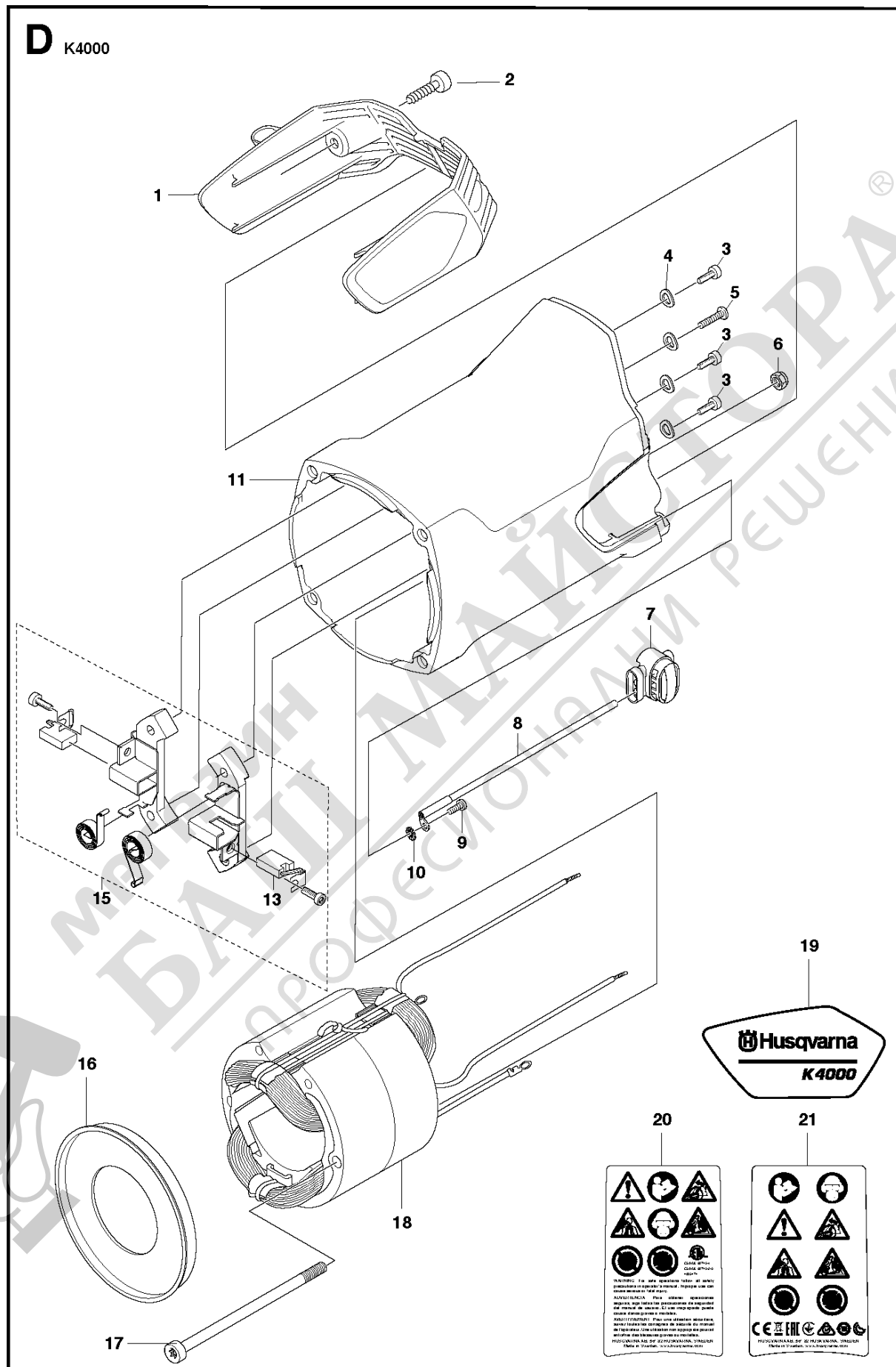
GEARS

K 4000, 2018-03

Ref	Part No	Description	Remark	QTY KIT
1	581 85 52-01	SCREW		1
2	506 07 09-01	FLANGE WASHER	JP	2
2	583 87 44-01	FLANGE	RoW	2
3	581 60 54-03	BUSHING	JP	1
3	578 39 82-01	BUSHING	RoW	1
4	506 32 48-01	SUPPORT FLANGE		1
5	505 57 41-16	SCREW ITXSCM		3
6	506 26 65-01	FLANGE		1
7	503 21 53-10	SCREW ITXSCM		2
8	506 26 64-01	SCREEN		1
9	544 40 32-01	GEAR SET	Incl. 10 - 16	1
10	506 28 84-01	SCREEN		1
11	503 25 21-01	BALL BEARING		1
12	506 41 28-01	BLADE SHAFT		1
13	505 57 41-20	SCREW ITXSCM		4
14	523 05 62-01	GASKET		1
15	531 03 18-75	GEAR WHEEL	Incl. 17	1
16	738 22 00-15	BALL BEARING		1
17	506 09 86-02	PINION		1



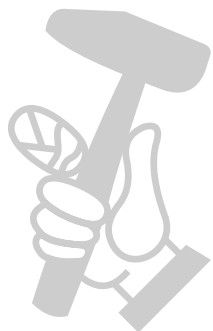
МАГАЗИН МАЙСТОРА
БАШ МАЙСТОРА
ПРОФЕСИОНАЛНИ РЕШЕНИЯ



MOTOR HOUSING

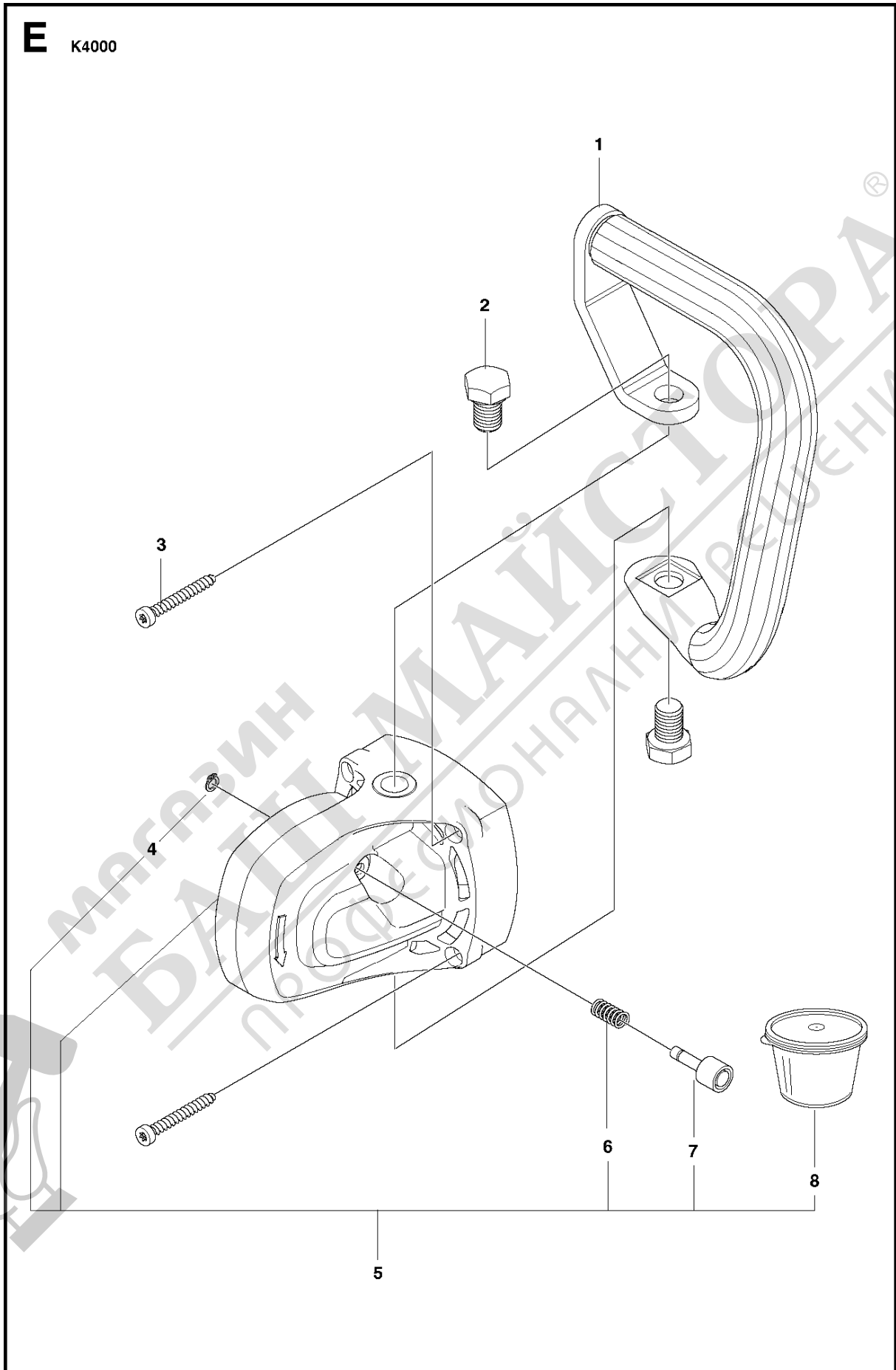
K 4000, 2018-03

Ref	Part No	Description	Remark	QTY KIT
1	582 33 94-01	COVER		1
2	589 53 01-01	SCREW ITXSCT		2
3	574 35 35-05	SCREW ITXSCM		3
4	735 11 36-50	SPRING WASHER		4
5	574 35 35-07	SCREW ITXSCM		1
6	732 25 14-01	HEXAGON LOCKING NUT		2
7	501 98 02-01	COUPLER		1
8	577 38 40-01	CABLE ASSY		1
9	589 78 68-01	SCREW		1
10	735 21 24-01	LOCKWASHER		1
11	582 33 50-01	MOTOR HOUSING		1
13	589 91 12-01	CARBON BRUSH	230V	1 15
13	589 91 12-02	CARBON BRUSH	120V	1 15
15	581 05 85-05	BRUSH HOLDER	230V	1
15	581 05 85-06	BRUSH HOLDER	120V	1
16	505 53 03-07	AIR STREAM DIRECTOR		1
17	503 21 53-96	SCREW ITXSCM		2
18	582 58 41-02	STATOR ASSY	100-120V	1
18	582 58 41-01	STATOR ASSY	230V	1
19	589 60 93-01	DECAL		1
20	589 60 95-01	DECAL	US	1
21	589 60 95-02	DECAL	RoW	1



МАГАЗИН МАЙСТОРА
 БАШ МАЙСТОРА
 ПРОФЕСІОНАЛНИ РЕШЕННЯ

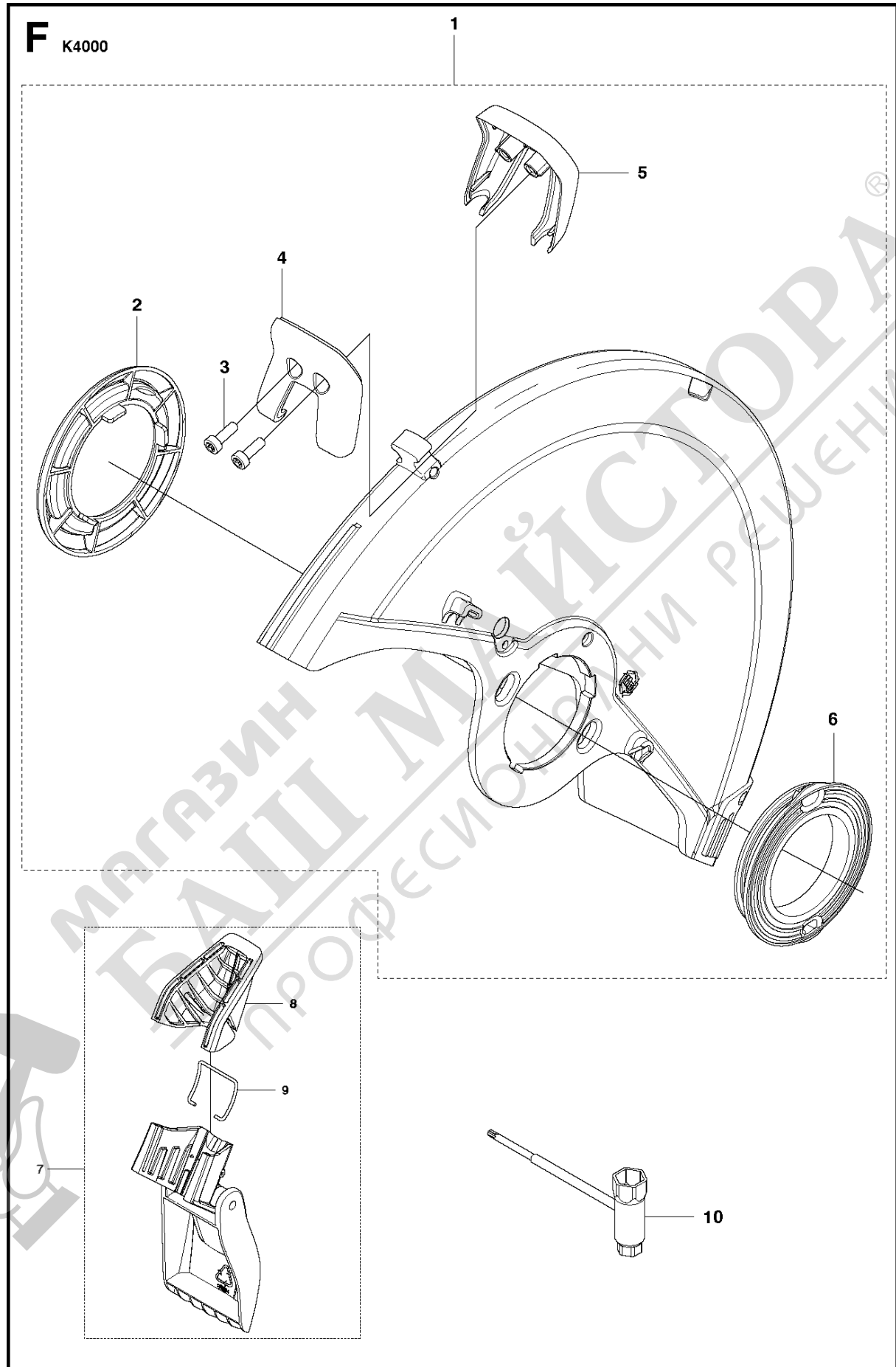
E K4000



Ref	Part No	Description	Remark	QTY KIT
1	506 15 03-03	HANDLE		1
2	531 03 12-76	SCREW		2
3	589 58 33-01	SCREW		4
4	735 31 08-00	CIRCLIP		1
5	593 57 24-01	GEAR HOUSING ASSY	Incl 6-8	1
6	577 48 20-01	SPRING		1
7	544 90 47-01	SHAFT		1
8	503 97 64-01	GREASE		1

МАГАЗИН
БАШ МАЙСТОРА®
ПРОФЕСИОНАЛНИ РЕШЕНИЯ

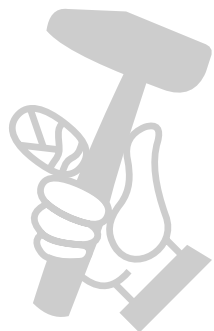




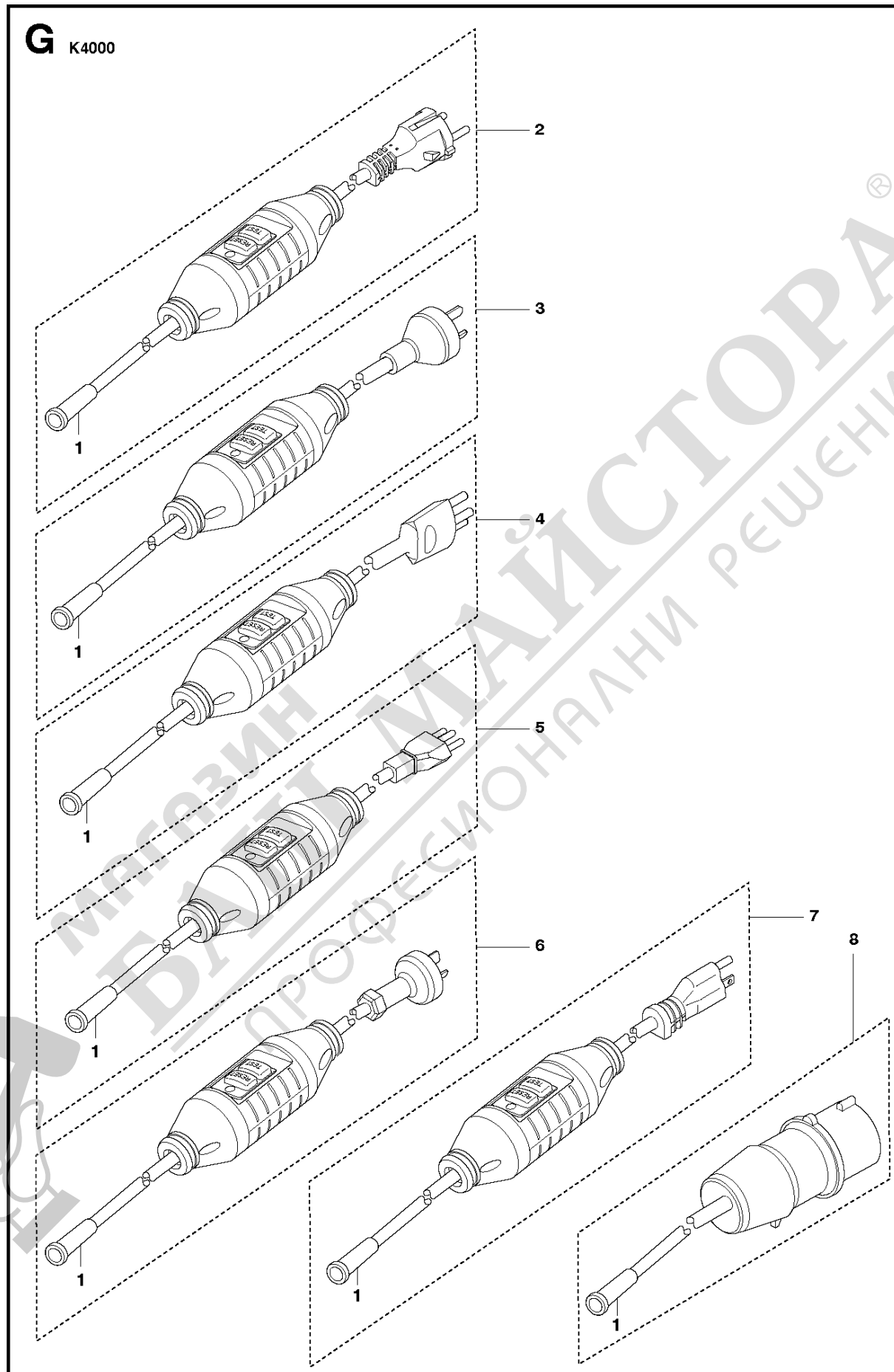
GUARDS

K 4000, 2018-03

Ref	Part No	Description	Remark	QTY KIT
1	577 71 69-01	WHEEL GUARD	Incl. 2 - 6	1
2	576 78 61-01	ADAPTER		1
3	504 90 94-14	SCREW ITXSCT		2
4	576 79 77-01	HANDLE HALF		1
5	576 79 76-01	HANDLE HALF		1
6	506 26 63-02	LINING		1
7	577 93 53-01	SPRAY GUARD ASSY	Incl. 8-9	1
8	576 63 10-01	LOCKING HANDLE		1
9	576 63 15-01	SPRING		1
10	506 38 26-01	TOOL		1

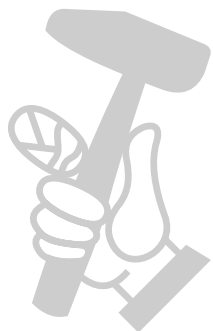


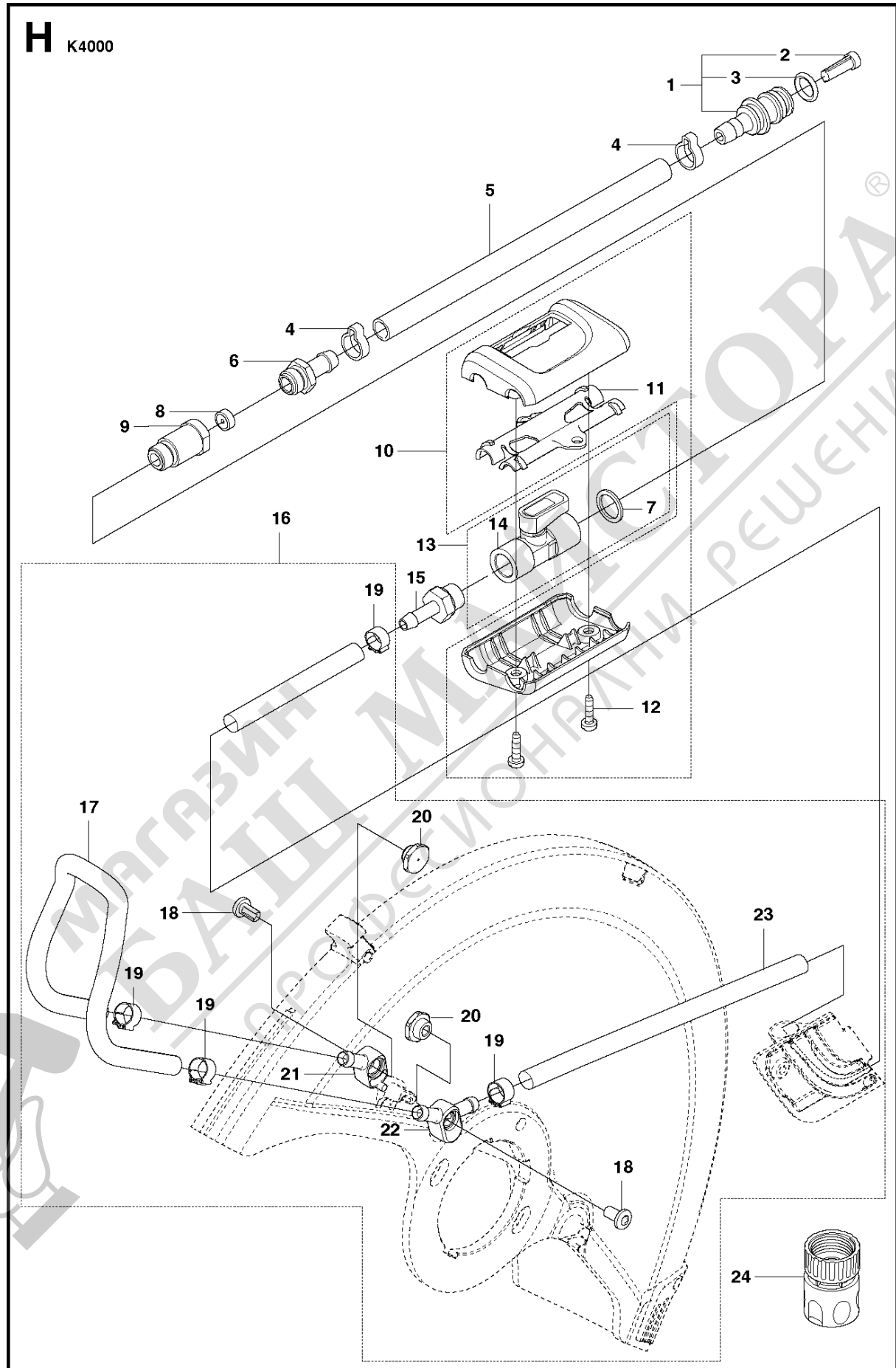
МАГАЗИН
БАШ МАЙСТОРА
ПРОФЕСИОНАЛНИ РЕШЕНИЯ



Ref	Part No	Description	Remark	QTY KIT
1	575 81 10-01	CABLE SLEEVE		1
2	594 00 56-01	CABLE ASSY	230V PRCD, incl 1	1
3	594 00 56-06	CABLE ASSY	110V PRCD, AU, incl 1	1
4	594 00 56-05	CABLE ASSY	230V PRCD, CH, incl 1	1
5	594 00 56-07	CABLE ASSY	230V PRCD, BR, incl 1	1
6	594 00 56-02	CABLE ASSY	230V PRCD, CN, incl 1	1
7	594 00 56-03	CABLE ASSY	100-120V PRCD, JP, US, incl 1	1
8	593 90 39-01	CABLE ASSY	110V UK, incl 1	1

МАГАЗИН МАЙСТОРА
БАШ МАЙСТОРА
ПРОФЕСИОНАЛНИ РЕШЕНИЯ

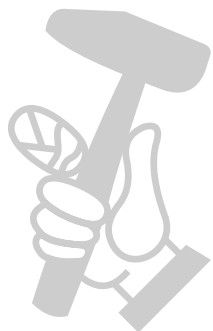




HOSE

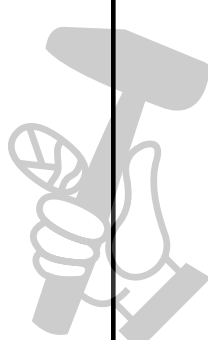
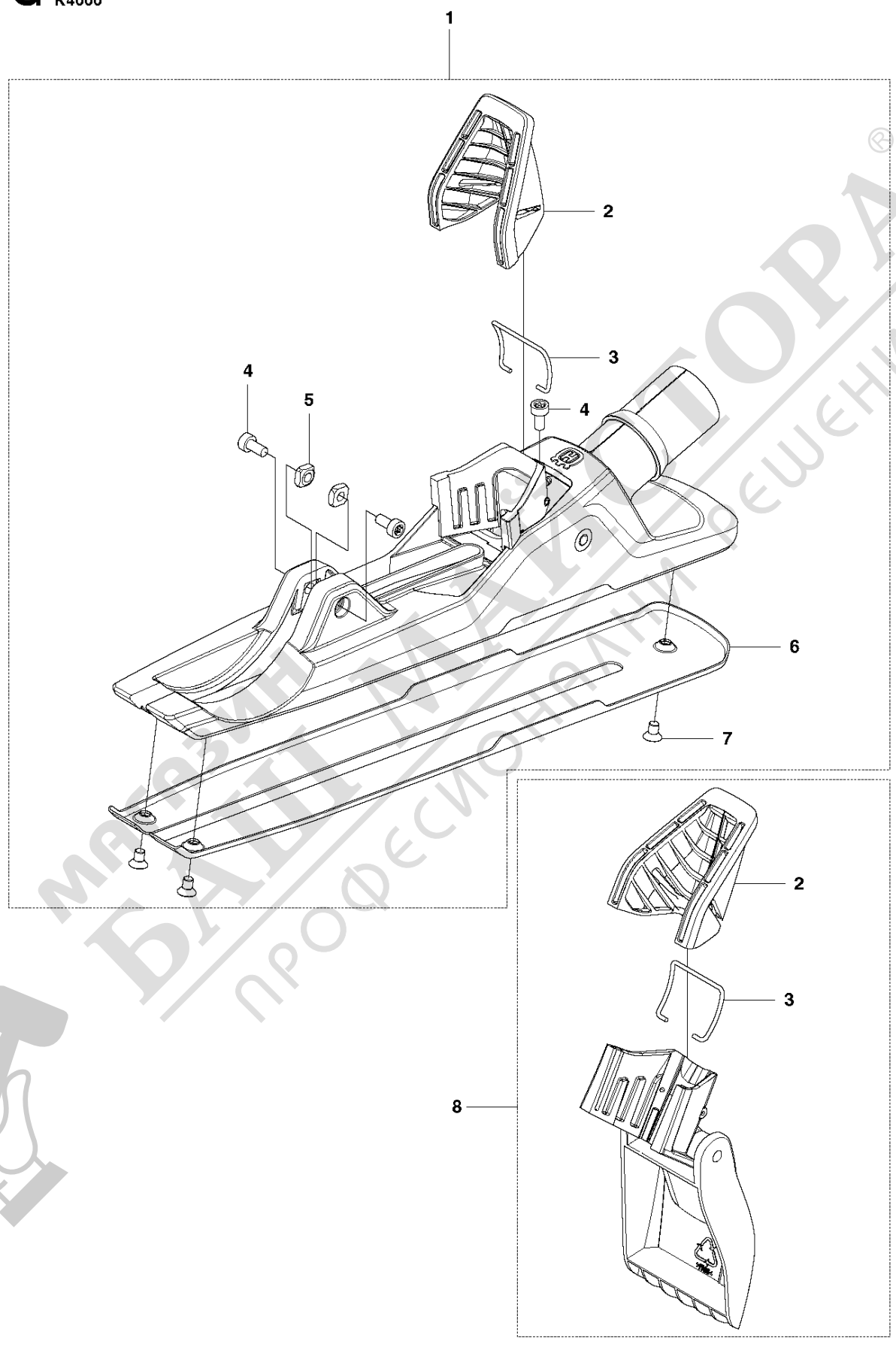
K 4000, 2018-03

Ref	Part No	Description	Remark	QTY KIT
1	506 29 57-02	NIPPLE	Inlc. 2 - 3	1
2	506 29 88-01	FILTER		1
3	505 10 35-01	O-RING		1
4	576 12 97-01	HOSE CLAMP		2
5	506 60 75-01	HOSE		1
6	501 07 42-01	NIPPLE		1
7	531 07 42-60	WASHER		1
8	506 48 61-01	FLOW CONTROL		1
9	575 30 33-01	NIPPLE		1
10	522 94 51-01	HOUSING	Inlc. 11 - 12	1
11	510 18 75-01	INSERT	Not for UK	1
12	504 90 94-10	SCREW ITXSCT	UK	2
12	504 90 94-10	SCREW ITXSCT	RoW	3
13	510 19 59-01	VALVE KIT	Inlc. 7, 14	1
14	576 25 80-01	VALVE		1
15	589 99 66-01	NIPPLE		1
16	505 09 54-07	HOSE KIT	Inlc. 17 - 23	1
17	578 19 81-07	HOSE	320mm	1
18	504 63 46-01	SCREW ITXSCT		2
19	506 49 87-01	HOSE CLAMP		4
20	576 79 84-01	NIPPLE		2
21	504 63 45-01	HOUSING		1
22	505 11 55-01	HOUSING		1
23	578 19 81-08	HOSE	720mm	1
24	503 26 60-03	COUPLER	USA	1
24	503 26 60-04	COUPLER	RoW	1

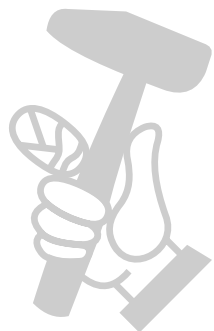


МАГАЗИН МАЙСТОРА
 БАШ МАЙСТОРА
 ПРОФЕСІОНАЛНИ РЕШЕННЯ

G K4000



Ref	Part No	Description	Remark	QTY	KIT
1	523 09 50-01	VAC KIT		1	
2	576 63 10-01	LOCKING HANDLE		1	1,8
3	576 63 15-01	SPRING		1	1,8
4	503 21 53-11	SCREW ITXSCM		1	1
5	503 22 65-04	SQUARE NUT		1	1
6	576 63 07-01	SKID PLATE		1	1
7	725 63 25-01	SCREW IHCSFM		1	1
8	577 93 53-01	SPRAY GUARD ASSY		1	



МАГАЗИН МАЙСТОРА®
БАШ МАЙСТОРА®
ПРОФЕСИОНАЛНИ РЕШЕНИЯ