



# SPARE PARTS LIST

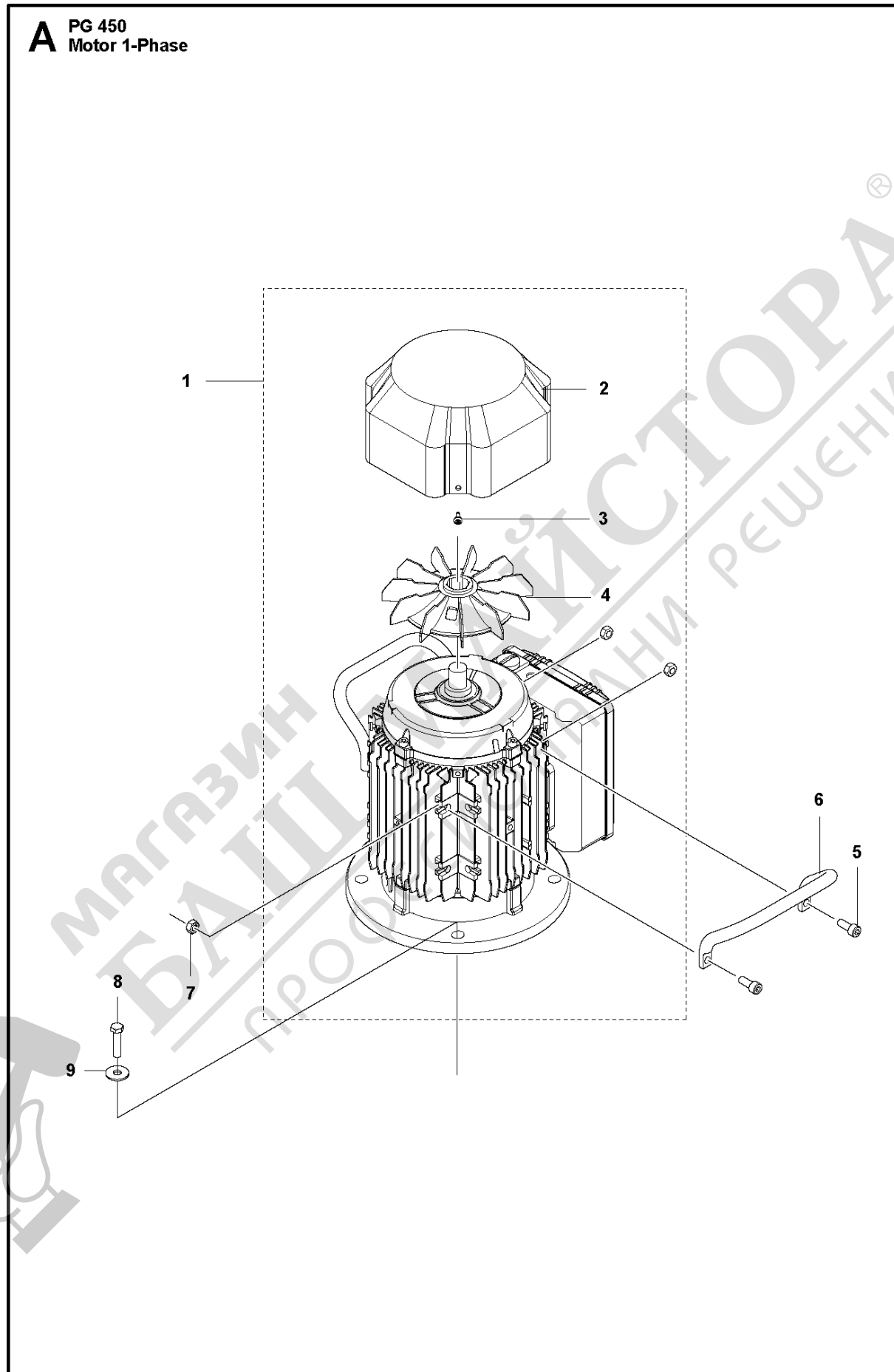
SURFACE PREPARATION EQUIPMENT

PG 450, 2018-02

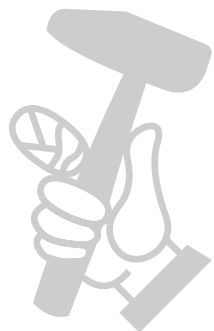


МАГАЗИН МАЙСТОРА®  
БАШ ПРОФЕСИОНАЛНА РЕШЕНИЯ

**A** PG 450  
Motor 1-Phase

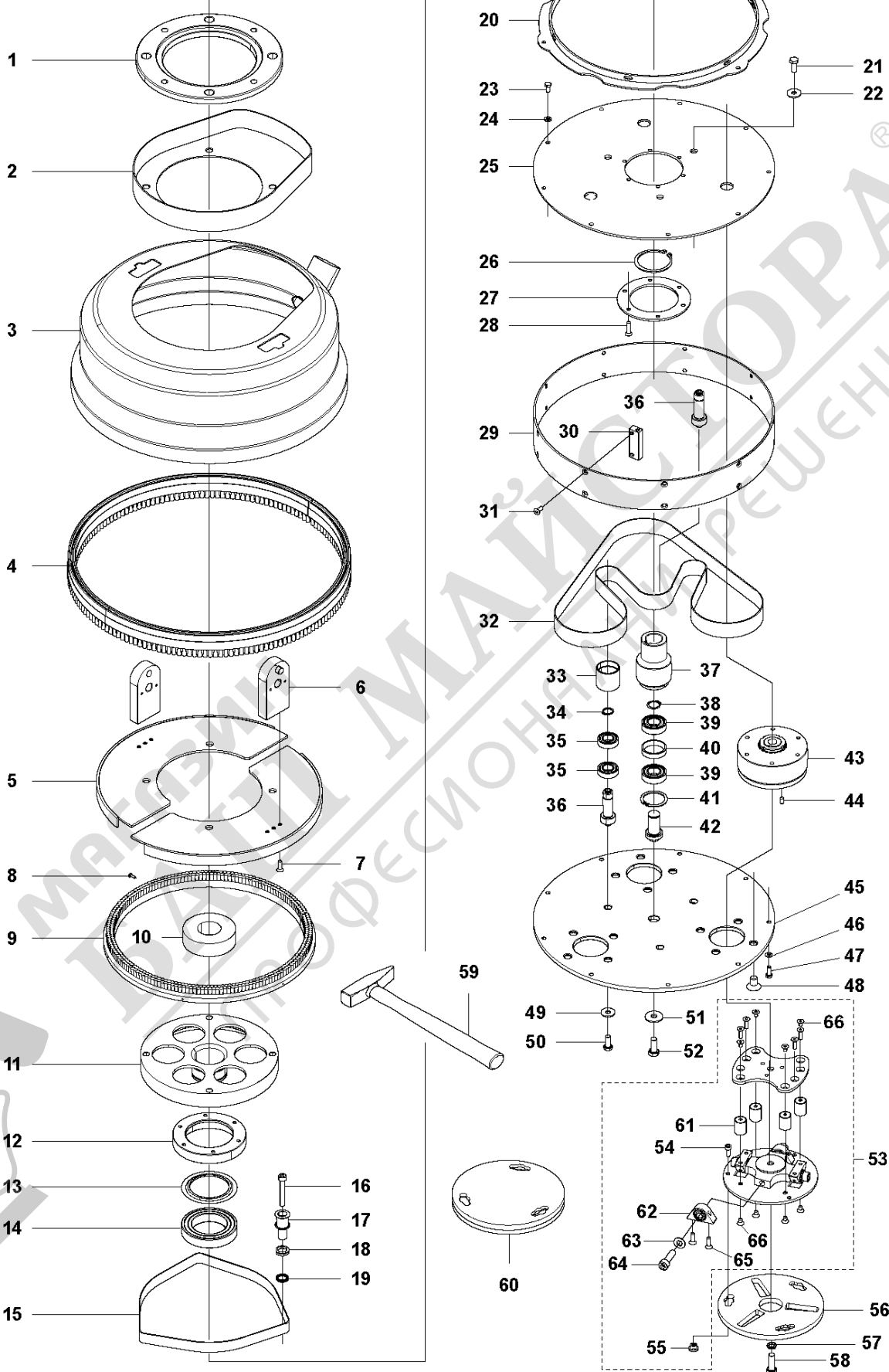


| Ref | Part No      | Description  | Remark            | QTY KIT |   |
|-----|--------------|--------------|-------------------|---------|---|
| 1   | 585 19 19-01 | MOTOR        | 2,2kw, 230V, 50Hz | 1       |   |
| 1   | 585 19 19-02 | MOTOR        | 2,2kw, 230V, 60Hz | 1       |   |
| 1   | 585 19 22-01 | MOTOR        | 1,5kw, 110V, 50Hz | 1       |   |
| 1   | 585 19 21-01 | MOTOR        | 1,5kw, 110V, 60Hz | 1       |   |
| 2   | 587 17 46-01 | FAN COVER    |                   | 1       | 1 |
| 3   | 724 13 23-01 | SCREW CRPANM |                   | 4       | 1 |
| 4   | 587 17 47-01 | FAN          |                   | 1       | 1 |
| 5   | 725 54 51-01 | SCREW IHSCM  |                   | 4       |   |
| 6   | 585 42 33-03 | HANDLE       |                   | 2       |   |
| 7   | 731 23 18-01 | HEXAGON NUT  |                   | 4       |   |
| 8   | 725 25 42-71 | SCREW EHHM   |                   | 4       |   |
| 9   | 734 11 78-01 | WASHER       |                   | 4       |   |



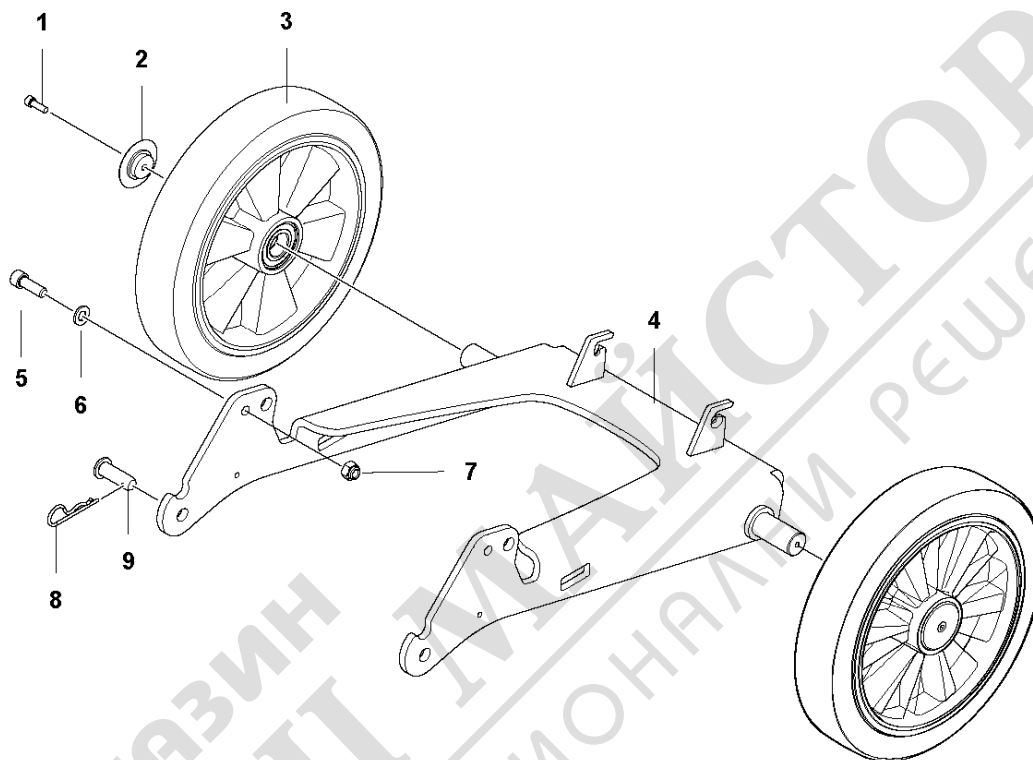
МАГАЗИН МАЙСТОРА  
БАШ МАЙСТОРА®  
ПРОФЕСИОНАЛНИ РЕШЕНИЯ

**B** PG 450  
Grinding Head

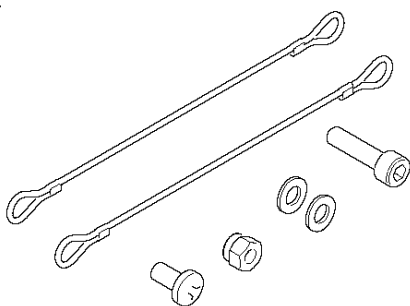


| Ref | Part No      | Description    | Remark           | QTY | KIT |
|-----|--------------|----------------|------------------|-----|-----|
| 1   | 585 08 33-02 | SPACER         |                  | 1   |     |
| 2   | 584 85 10-01 | GUIDE          |                  | 1   |     |
| 3   | 585 08 34-01 | DUST COVER     |                  | 1   |     |
| 4   | 585 13 84-05 | BRUSH          |                  | 1   |     |
| 5   | 586 85 24-01 | MOUNTING PLATE |                  | 2   |     |
| 6   | 585 54 03-01 | BRACKET        |                  | 2   |     |
| 6   | 585 54 03-02 | BRACKET        | HDX variant only | 2   |     |
| 7   | 725 63 70-51 | SCREW IHCSFM   |                  | 6   |     |
| 8   | 729 52 81-01 | SCREW CRPANT   |                  | 7   |     |
| 9   | 584 83 27-02 | BRUSH          |                  | 1   |     |
| 10  | 585 41 78-01 | SEAL           |                  | 1   |     |
| 11  | 584 82 95-01 | PLATE          |                  | 1   |     |
| 12  | 584 82 91-01 | HOUSING        |                  | 1   |     |
| 13  | 584 82 92-01 | SEAL           |                  | 1   |     |
| 14  | 502 56 26-01 | BALL BEARING   |                  | 1   |     |
| 15  | 584 82 98-01 | BELT           |                  | 1   |     |
| 16  | 725 24 62-51 | SCREW EHHM     |                  | 3   |     |
| 17  | 584 83 94-01 | SHAFT          |                  | 3   |     |
| 18  | 740 68 11-21 | V-RING         |                  | 3   |     |
| 19  | 584 82 84-01 | RADIAL SEAL    |                  | 3   |     |
| 20  | 584 83 24-01 | COVER          |                  | 1   |     |
| 21  | 725 24 51-71 | SCREW EHHM     |                  | 3   |     |
| 22  | 734 11 65-41 | WASHER         |                  | 3   |     |
| 23  | 725 23 68-71 | SCREW EHHM     |                  | 9   |     |
| 24  | 734 11 52-01 | WASHER         |                  | 9   |     |
| 25  | 584 82 83-01 | LID            |                  | 1   |     |
| 26  | 502 53 96-01 | CIRCLIP        |                  | 1   |     |
| 27  | 584 82 94-01 | COVER          |                  | 1   |     |
| 28  | 725 63 72-51 | SCREW IHCSFM   |                  | 6   |     |
| 29  | 584 83 81-01 | COVER          |                  | 1   |     |
| 30  | 584 83 79-01 | BOSS           |                  | 9   |     |
| 31  | 725 63 68-51 | SCREW IHCSFM   |                  | 18  |     |
| 32  | 584 83 16-01 | BELT           |                  | 1   |     |
| 33  | 584 82 87-01 | PULLEY         |                  | 2   |     |
| 34  | 735 31 19-00 | CIRCLIP        |                  | 2   |     |
| 35  | 584 82 88-01 | BALL BEARING   |                  | 4   |     |
| 36  | 584 82 86-01 | SHAFT          |                  | 3   |     |
| 37  | 584 83 06-01 | PULLEY         |                  | 1   |     |
| 38  | 735 31 22-01 | CIRCLIP        |                  | 1   |     |
| 39  | 584 83 04-01 | BALL BEARING   |                  | 2   |     |
| 40  | 584 83 05-01 | SPACER         |                  | 1   |     |
| 41  | 735 31 38-10 | CIRCLIP        |                  | 1   |     |
| 42  | 584 83 02-01 | SHAFT          |                  | 1   |     |
| 43  | 584 83 07-01 | PULLEY ASSY    |                  | 3   |     |
| 44  | 720 13 49-51 | PARALLEL PIN   |                  | 9   |     |
| 45  | 584 83 17-01 | LID            |                  | 1   |     |
| 46  | 734 11 52-01 | WASHER         |                  | 9   |     |
| 47  | 725 23 68-71 | SCREW EHHM     |                  | 9   |     |
| 48  | 584 83 23-01 | SCREW IHCSFM   |                  | 12  |     |
| 49  | 734 11 65-41 | WASHER         |                  | 3   |     |
| 50  | 725 24 51-71 | SCREW EHHM     |                  | 3   |     |
| 51  | 734 11 74-41 | WASHER         |                  | 1   |     |
| 52  | 725 24 93-71 | SCREW EHHM     |                  | 1   |     |
| 53  | 584 81 57-01 | HOLDER ASSY    |                  | 3   |     |
| 54  | 725 53 68-51 | SCREW IHSCM    |                  | 9   | 53  |
| 55  | 587 45 14-01 | LOCK           |                  | 9   | 53  |
| 56  | 584 85 02-01 | HOLDER         |                  | 3   |     |
| 57  | 735 11 73-01 | SPRING WASHER  |                  | 3   |     |
| 58  | 735 11 73-01 | SPRING WASHER  |                  | 3   |     |
| 59  | 522 03 97-01 | HAMMER         |                  | 1   |     |
| 60  | 587 41 02-02 | HOLDER         |                  | 3   |     |
| 61  | 584 81 61-01 | ABSORBER       |                  | 1   | 53  |
| 62  | 584 81 64-01 | CONNECTION     |                  | 12  | 53  |
| 63  | 734 11 72-01 | WASHER         |                  | 12  | 53  |
| 64  | 725 54 97-01 | SCREW IHSCM    |                  | 12  | 53  |
| 65  | 725 63 70-51 | SCREW IHCSFM   |                  | 12  | 53  |
| 66  | 725 63 64-51 | SCREW IHCSFM   |                  | 21  | 53  |

**C** PG 450  
Chassi

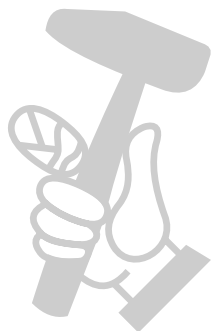


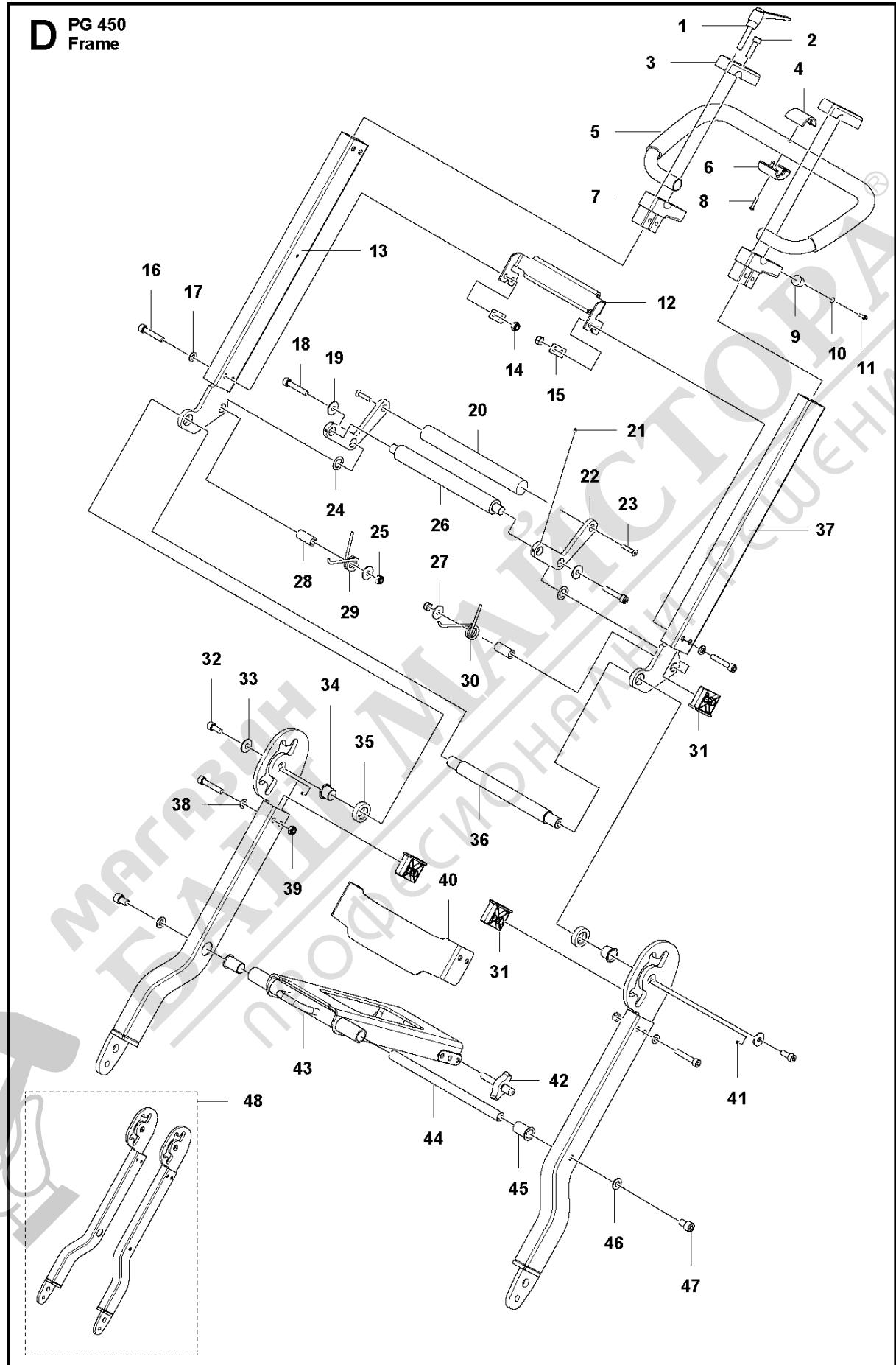
HDX



| Ref | Part No      | Description         | Remark           | QTY KIT |
|-----|--------------|---------------------|------------------|---------|
| 1   | 725 53 70-51 | SCREW IHSCM         |                  | 2       |
| 2   | 575 39 51-01 | WASHER              |                  | 2       |
| 3   | 502 54 50-01 | WHEEL               |                  | 2       |
| 4   | 585 10 91-01 | CHASSIS             |                  | 1       |
| 5   | 725 54 95-01 | SCREW IHSCM         |                  | 2       |
| 6   | 734 11 72-01 | WASHER              |                  | 2       |
| 7   | 732 25 20-01 | HEXAGON LOCKING NUT |                  | 2       |
| 8   | 721 68 02-51 | SPRING COTTER       |                  | 2       |
| 9   | 721 85 68-01 | CLEVIS PIN          |                  | 2       |
| 9   | 585 51 91-03 | CLEVIS PIN          | HDX variant only | 2       |
| 10  | 590 54 00-01 | WIRE                |                  | 1       |

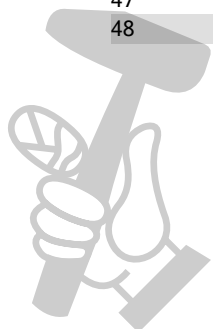
МАГАЗИН МАЙСТОРА  
БАШ МАЙСТОРА  
ПРОФЕСИОНАЛНИ РЕШЕНИЯ



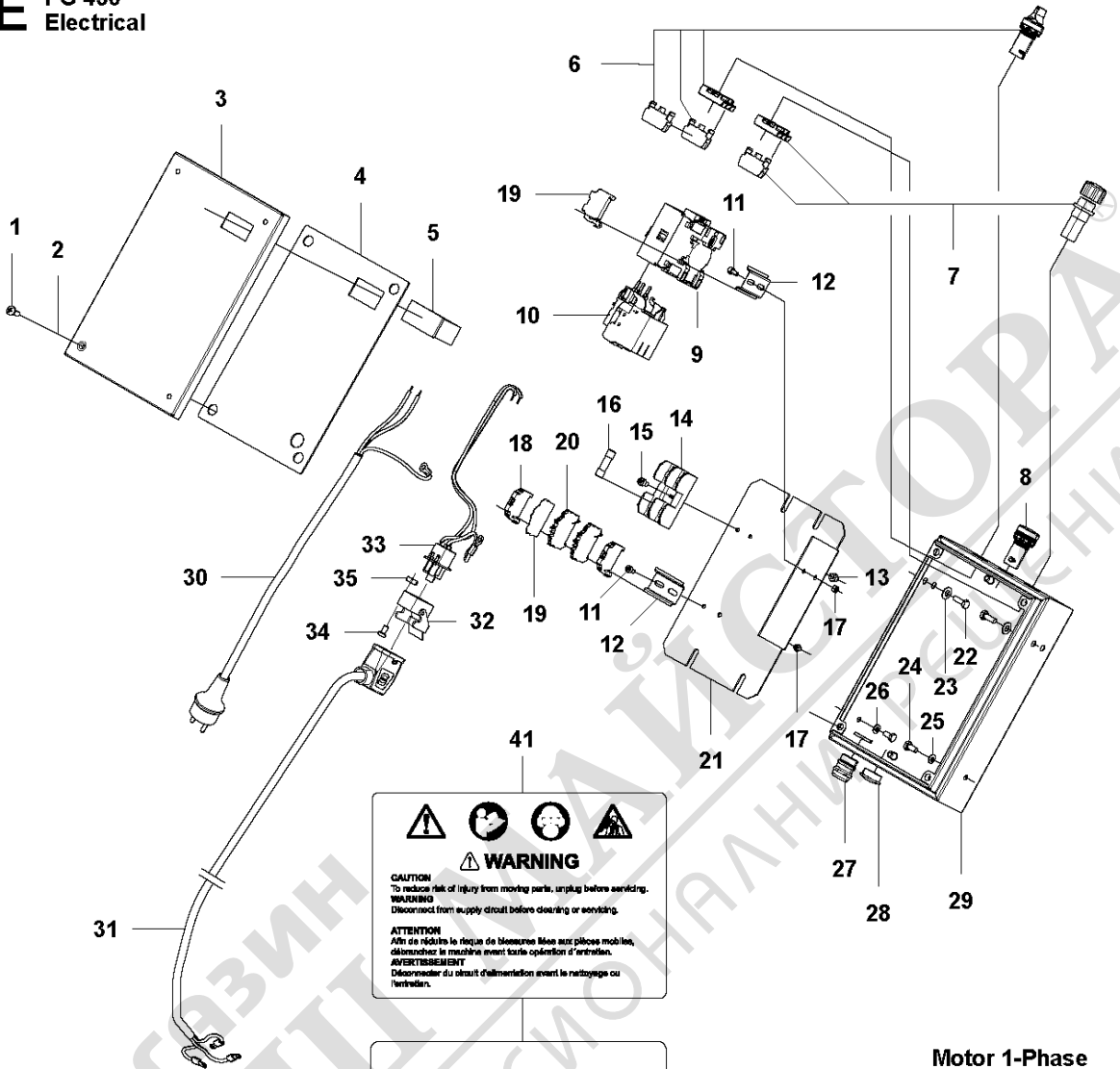




| Ref | Part No      | Description    | Remark | QTY KIT |
|-----|--------------|----------------|--------|---------|
| 1   | 585 12 92-01 | LOCKING HANDLE |        | 2       |
| 2   | 725 54 55-21 | SCREW IHSCM    |        | 2       |
| 3   | 585 51 66-01 | BRACKET        |        | 2       |
| 4   | 587 15 85-01 | COVER          |        | 1       |
| 5   | 585 14 40-01 | HANDLE         |        | 1       |
| 6   | 587 15 86-01 | COVER          |        | 1       |
| 7   | 585 51 67-01 | BRACKET        |        | 2       |
| 8   | 729 52 61-71 | SCREW CRPANT   |        | 1       |
| 9   | 585 51 68-01 | RUBBER SHOE    |        | 2       |
| 10  | 734 11 36-01 | WASHER         |        | 2       |
| 11  | 725 52 95-01 | SCREW IHSCM    |        | 2       |
| 12  | 585 38 28-01 | BRACKET        |        | 1       |
| 13  | 585 57 35-09 | FORK           |        | 1       |
| 14  | 732 21 18-01 | LOCK NUT       |        | 8       |
| 15  | 585 38 31-01 | WASHER         |        | 2       |
| 16  | 725 54 60-01 | SCREW IHSCM    |        | 8       |
| 17  | 725 54 60-01 | SCREW IHSCM    |        | 8       |
| 18  | 725 54 61-01 | SCREW IHSCM    |        | 2       |
| 19  | 734 11 65-41 | WASHER         |        | 4       |
| 20  | 585 13 37-01 | HANDLE         |        | 1       |
| 21  | 728 82 85-01 | SCREW IHSETM   |        | 6       |
| 22  | 585 13 33-01 | PLATE          |        | 2       |
| 23  | 725 63 74-51 | SCREW          |        | 2       |
| 24  | 585 41 62-01 | WASHER         |        | 2       |
| 25  | 732 21 18-01 | LOCK NUT       |        | 2       |
| 26  | 585 13 38-01 | ROD            |        | 1       |
| 27  | 734 11 65-41 | WASHER         |        | 4       |
| 28  | 585 38 33-02 | SLEEVE         |        | 2       |
| 29  | 585 41 73-01 | SPRING         |        | 1       |
| 30  | 585 41 61-01 | SPRING         |        | 1       |
| 31  | 585 13 29-01 | SPACER         |        | 4       |
| 32  | 725 54 51-01 | SCREW IHSCM    |        | 2       |
| 33  | 734 11 65-41 | WASHER         |        | 2       |
| 34  | 585 41 60-01 | BUSH           |        | 2       |
| 35  | 585 13 35-01 | SPACER         |        | 2       |
| 36  | 585 13 36-01 | TUBE           |        | 1       |
| 37  | 725 54 60-01 | SCREW IHSCM    |        | 8       |
| 38  | 725 54 60-01 | SCREW IHSCM    |        | 8       |
| 39  | 585 38 31-01 | WASHER         |        | 2       |
| 40  | 585 38 30-01 | BRACKET        |        | 1       |
| 41  | 728 82 85-01 | SCREW IHSETM   |        | 6       |
| 42  | 590 47 22-01 | WING KNOB      |        | 2       |
| 43  | 585 10 97-02 | SUPPORT        |        | 1       |
| 44  | 585 12 90-02 | TUBE           |        | 1       |
| 45  | 585 12 91-01 | BUSH           |        | 2       |
| 46  | 734 11 72-01 | WASHER         |        | 2       |
| 47  | 725 54 91-01 | SCREW IHSCM    |        | 2       |
| 48  | 593 89 71-03 | FRAME TUBE     |        | 1       |



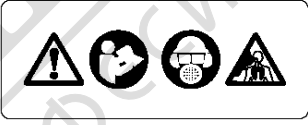
**E** PG 450  
Electrical



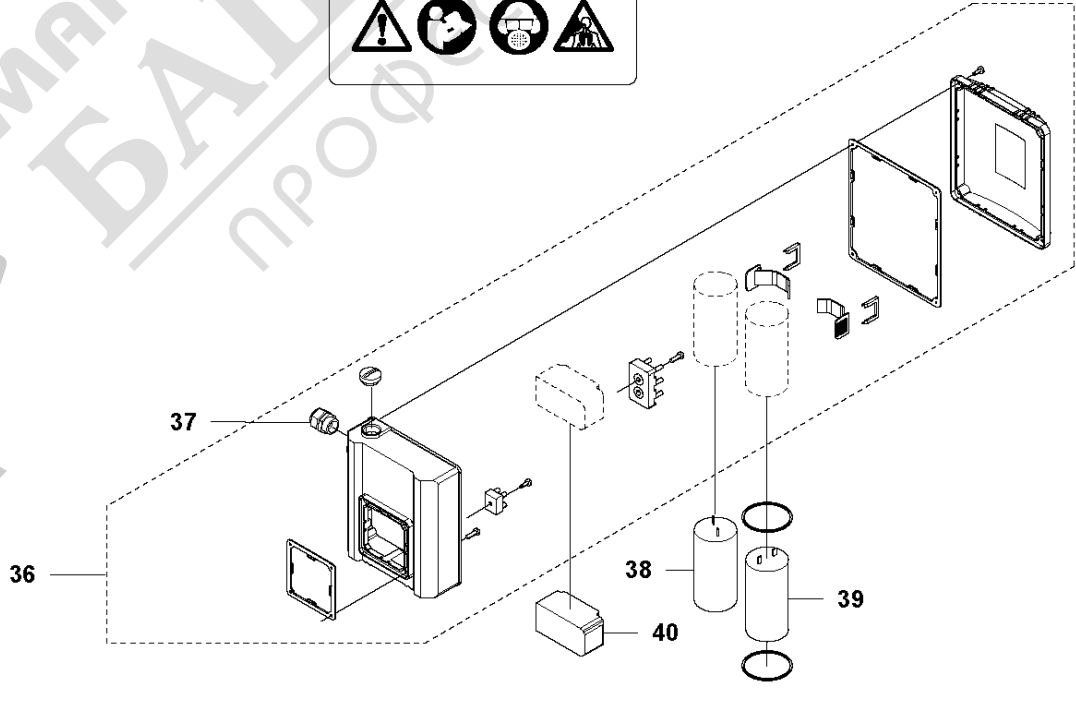
**WARNING**

**CAUTION**  
To reduce risk of injury from moving parts, unplug before servicing.  
**WARNING**  
Disconnect from supply circuit before clearing or servicing.

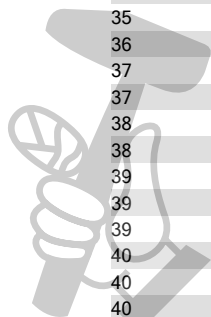
**ATTENTION**  
Affirer réduire le risque de blessure liée aux pièces mobiles, débranchez le machine avant toute opération d'entretien.  
**AVERTISSEMENT**  
Déconnecter du circuit d'alimentation avant le nettoyage ou l'entretien.



**Motor 1-Phase**



| Ref | Part No      | Description           | Remark            | QTY KIT |
|-----|--------------|-----------------------|-------------------|---------|
| 1   | 724 13 68-51 | SCREW CRPANM          |                   | 4       |
| 2   | 521 88 66-01 | RIVET                 |                   | 4       |
| 3   | 586 47 43-01 | LID                   |                   | 1       |
| 3   | 586 47 43-03 | LID                   | HDX version only  | 1       |
| 4   | 586 46 70-02 | SEALING               |                   | 1       |
| 5   | 584 29 63-01 | HOUR METER            |                   | 1       |
| 6   | 586 99 15-01 | SWITCH KIT            |                   | 1       |
| 7   | 586 99 16-01 | SWITCH KIT            |                   | 1       |
| 8   | 584 29 71-01 | LAMP                  | 230V              | 1       |
| 8   | 584 29 71-02 | LAMP                  | 110V              | 1       |
| 9   | 585 36 58-01 | CONTACTOR             | 200-230V, 50/60Hz | 1       |
| 9   | 585 36 58-02 | CONTACTOR             | 100-120V, 60Hz    | 1       |
| 9   | 586 99 18-01 | CONTACTOR             | 100-120V, 50Hz    | 1       |
| 10  | 584 29 78-01 | RELAY                 | 220-240V, 60Hz    | 1       |
| 10  | 580 62 35-02 | PROTECTION            | 220-240V, 50Hz    | 1       |
| 10  | 580 62 35-01 | PROTECTION            | 100-120V, 60Hz    | 1       |
| 10  | 584 29 78-05 | RELAY                 | 100-120V, 50Hz    | 1       |
| 11  | 725 53 25-01 | SCREW IHSCM           |                   | 4       |
| 12  | 522 74 70-01 | RAIL                  |                   | 2       |
| 13  | 731 23 16-01 | HEXAGON NUT           |                   | 1       |
| 14  | 525 88 26-01 | FUSE HOLDER           |                   | 1       |
| 15  | 725 53 64-55 | SCREW IHSCM           |                   | 1       |
| 16  | 525 63 81-01 | FUSE                  |                   | 2       |
| 17  | 732 25 14-01 | HEXAGON LOCKING NUT   |                   | 4       |
| 18  | 585 36 61-05 | TERMINAL BLOCK        |                   | 3       |
| 19  | 585 36 61-03 | TERMINAL BLOCK        |                   | 1       |
| 19  | 585 36 61-07 | TERMINAL BLOCK        | US 100-120V       | 1       |
| 20  | 585 61 35-01 | TERMINAL BLOCK        |                   | 1       |
| 20  | 585 36 61-01 | TERMINAL BLOCK        | US 120V           | 1       |
| 21  | 590 07 58-01 | MOUNTING PLATE        |                   | 1       |
| 22  | 725 24 51-71 | SCREW EHHM            |                   | 4       |
| 23  | 734 11 63-01 | WASHER                |                   | 4       |
| 24  | 725 23 66-51 | HEXAGONAL SCREW M6X12 |                   | 2       |
| 25  | 734 11 52-01 | WASHER                |                   | 1       |
| 26  | 735 21 53-01 | LOCKWASHER            |                   | 1       |
| 27  | 510 43 17-01 | CABLE GROMMET         |                   | 1       |
| 27  | 587 10 12-01 | GROMMET               | US120V            | 1       |
| 28  | 586 58 69-01 | PLUG                  |                   | 1       |
| 28  | 586 58 69-02 | PLUG                  | US only           | 1       |
| 29  | 582 50 69-03 | ELECTRONIC BOX        |                   | 1       |
| 29  | 582 50 69-04 | ELECTRONIC BOX        | HDX version only  | 1       |
| 30  | 586 23 68-03 | CABLE                 |                   | 1       |
| 30  | 586 23 68-02 | CABLE                 | AUS               | 1       |
| 30  | 586 23 68-08 | CABLE                 | BR                | 1       |
| 30  | 586 23 68-12 | CABLE                 | US, 120V          | 1       |
| 30  | 586 23 68-13 | CABLE                 | US 240V           | 1       |
| 31  | 585 63 81-03 | CABLE                 |                   | 1       |
| 31  | 585 63 81-10 | CABLE                 | US/CAN, 240V      | 1       |
| 31  | 585 63 81-11 | CABLE                 | US/CAN, 120V      | 1       |
| 32  | 585 36 66-05 | CONNECTOR             |                   | 1       |
| 33  | 590 50 35-01 | CONNECTOR             |                   | 1       |
| 34  | 725 52 24-01 | SCREW                 |                   | 2       |
| 35  | 732 25 10-01 | HEXAGON LOCKING NUT   |                   | 2       |
| 36  | 587 17 39-01 | ELECTRONIC BOX        |                   | 1       |
| 37  | 510 43 17-02 | CABLE GROMMET         |                   | 1       |
| 37  | 587 10 12-01 | GROMMET               | US120V            | 1       |
| 38  | 587 17 45-01 | CAPACITOR             | 230V, 50/60Hz     | 1       |
| 38  | 587 17 45-02 | CAPACITOR             | 110V, 50/60Hz     | 1       |
| 39  | 587 17 44-01 | CAPACITOR             | 230V, 50Hz        | 1       |
| 39  | 587 17 44-02 | CAPACITOR             | 230V, 60Hz        | 1       |
| 39  | 587 17 44-03 | CAPACITOR             | 110V, 50/60Hz     | 1       |
| 40  | 587 17 43-01 | SWITCH                | 230V, 50Hz        | 1       |
| 40  | 587 17 43-02 | SWITCH                | 208-230V, 60Hz    | 1       |
| 40  | 587 17 43-03 | SWITCH                | 110V, 50/60Hz     | 1       |
| 41  | 590 51 83-01 | DECAL                 | US, CAN           | 1       |
| 41  | 590 51 84-01 | DECAL                 | ROW               | 1       |



МАЙСТОР

ПРОФЕСИОНАЛНИ РЕШЕНИЯ