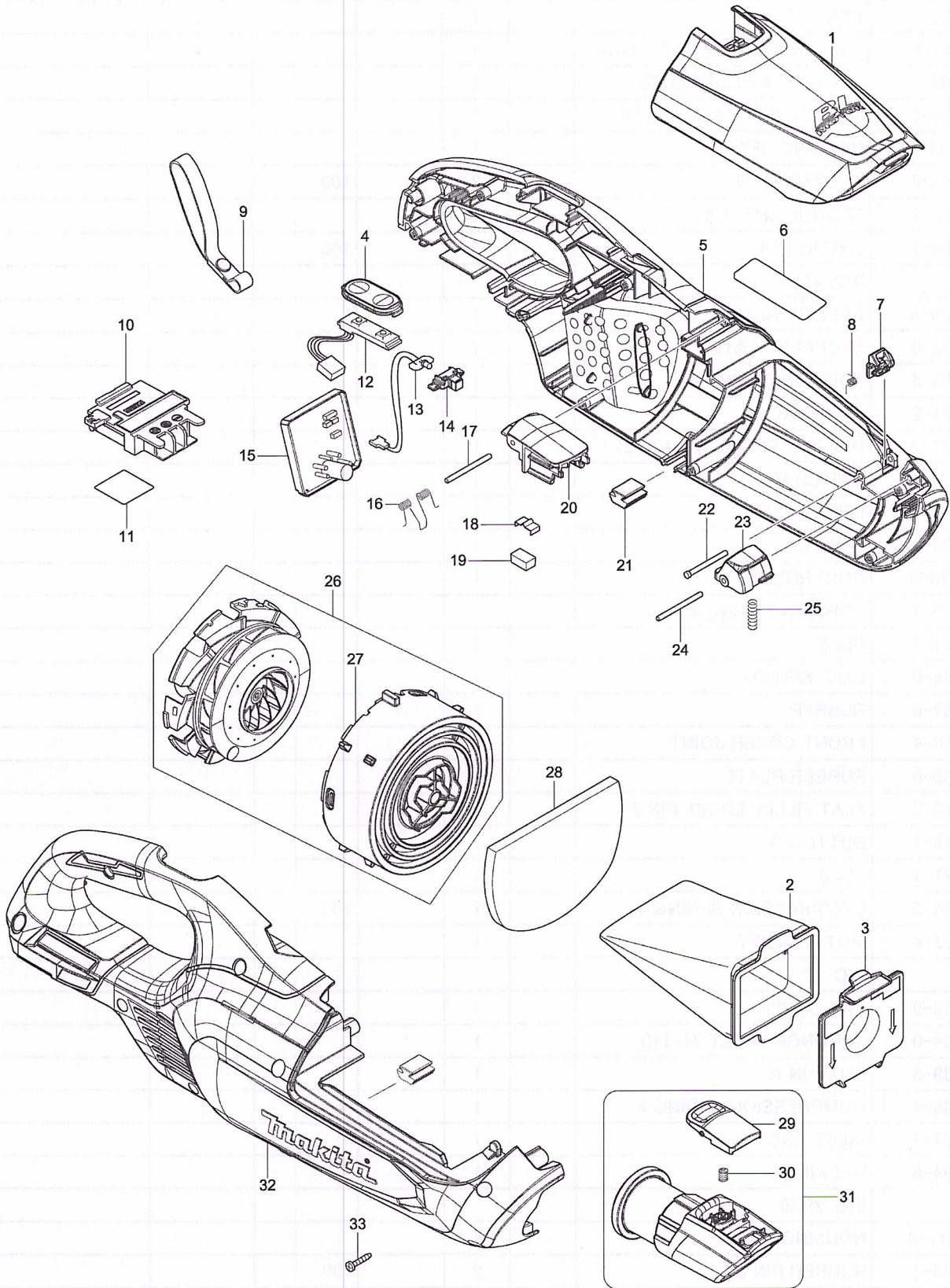


Model No.DCL282F CORDLESS CLEANER



Model No.DCL282F CORDLESS CLEANER

Item	Parts No.	Description	I/C	QTY	New/Old	Opt. 1	Opt. 2	NOTE
001	140L57-2	FRONT COVER COMPLETE		1				
C10	424093-7	SEAL		1				
002	166119-6	EASY SHAKE OFF DUST BAG		1				
003	140K23-3	VALVE STAY COMPLETE		1				
004	144096-2	SWITCH PLATE COMPLETE		1				
005	183M11-9	HOUSING SET		1				
C10	263005-3	RUBBER PIN 6		2		100		
C20	422458-7	SPONGE SHEET 55-80		2				
C30	213008-7	O RING 22.4		2		100		
D10		INC. 21,32						
006	855T39-6	DCL282F NAME PLATE		1				
007	459352-0	STOPPER PLATE		1				
008	232484-6	TORSION SPRING 4		1				
010	643874-2	TERMINAL		1				
011	855T46-9	DCL282F SERIAL NO. LABEL		1				
012	620A77-1	SWITCH UNIT		1				
013	620A76-3	LED CIRCUIT		1				
014	459478-8	LENS CASE		1				
015	620A75-5	CONTROLLER		1				
016	233580-3	TORSION SPRING 4		1				
017	268271-7	PIN 3		1				
018	232264-0	LEAF SPRING		1				
019	424367-6	RUBBER		1				
020	459350-4	FRONT COVER JOINT		1				
021	422460-0	RUBBER PLATE		2				
022	256590-3	FLAT FILLISTER HD. PIN 3		1				
023	459348-1	BUTTON B		1				
024	268271-7	PIN 3		1				
025	233344-5	COMPRESSION SPRING 4		1		100		
026	136092-4	MOTOR ASS'Y		1				
D10		INC. 27						
027	459322-9	FAN COVER		1				
028	424804-0	SUPONGE SHEET 76-110		1				
029	458939-5	BUTTON A		1				
030	232485-4	COMPRESSION SPRING 5		1				
031	136107-7	INLET ASS'Y		1				
C10	424094-5	PACKING		1				
D10		INC. 29,30						
032	183M11-9	HOUSING SET		1				
C10	263005-3	RUBBER PIN 6		2		100		
C20	422458-7	SPONGE SHEET 55-80		2				
C30	213008-7	O RING 22.4		2		100		
D10		INC. 5,21						
033	266429-2	TAPPING SCREW 3X16		9		100		
A01	123488-8	FLOOR T-NOZZLE 28 BLU		1				

Model No.DCL282F CORDLESS CLEANER

Item	Parts No.	Description	I/C	QTY	New/Old	Opt. 1	Opt. 2	NOTE
C10	451410-8	ROLLER		4				
C20	268208-4	PIN 3		4		100		
C30	424096-1	WIPER		1				
A02	194566-1	PAPER FILTER SET (5PCS/SET)		1				
A03	451243-1	SASH NOZZLE 28 BLU		1				
A04	459356-2	PIPE		1				
A05	459355-4	NOZZLE HOLDER		1				

Please order the parts with part number.

Print Date 8/11/2019