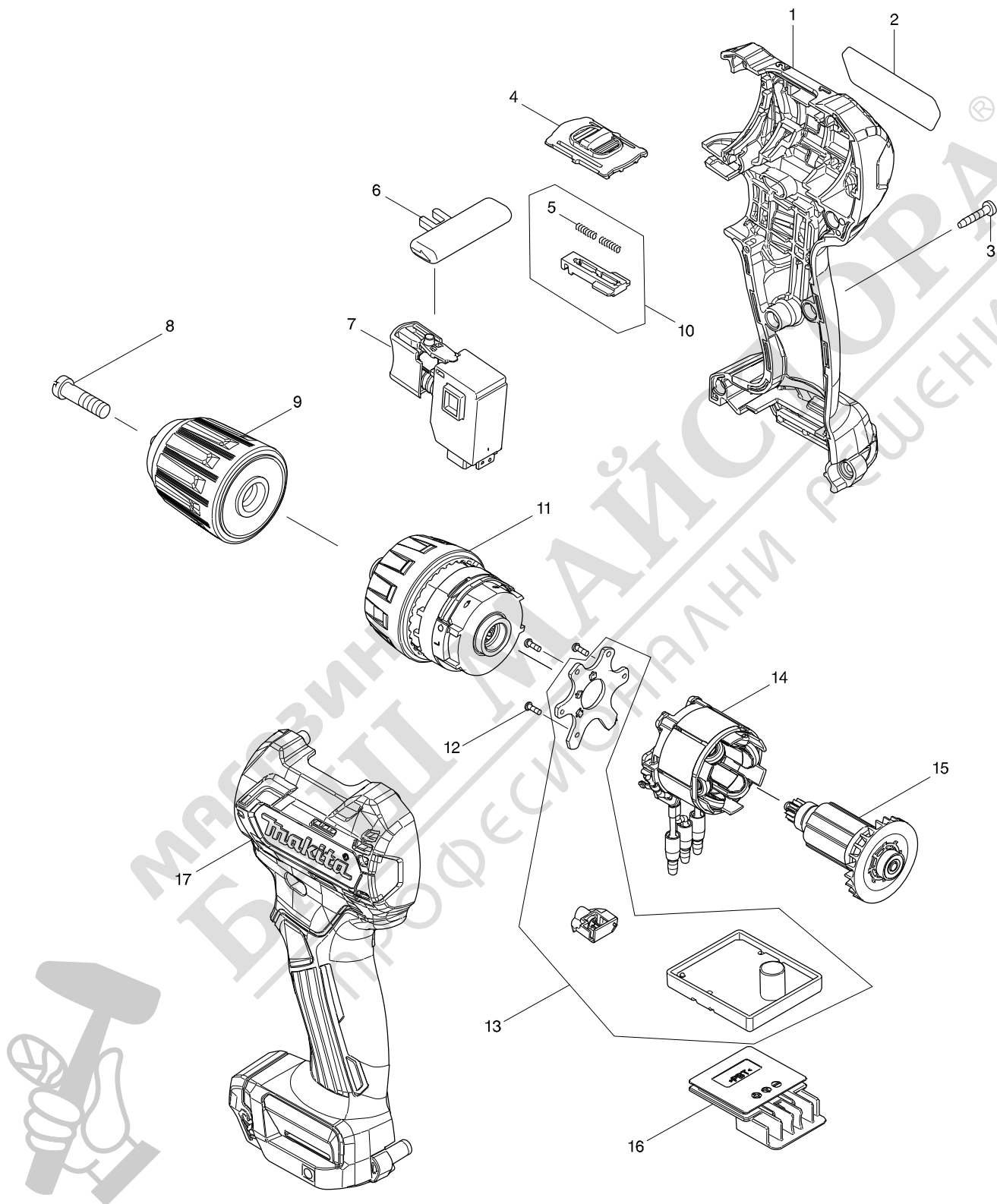


Модел DF332D CORDLESS DRIVER DRILL



Артикул	Номер на част	Описание	Смян	Количество	N/O	Допълнително	Допълнително	Забележка
001	183C34-7	HOUSING SET		1				
	D10	INC. 17						
002	851T91-2	DF332D NAME PLATE		1				
003	266429-2	TAPPING SCREW 3X16		8				
004	456532-9	SPEED CHANGE LEVER		1				
005	233025-1	COMPRESSION SPRING 2		2				
006	419041-9	F/R CHANGE LEVER		1				
007	650689-0	SWITCH C3JW-2B		1	*			
007-1	650689-0	SWITCH C3JW-2B	O	1				
	C10	LED CIRCUIT		1				
008	251468-5	- FLAT HEAD SCREW M6X22		1				
009	763238-5	KEYLESS DRILL CHUCK 10		1				
010	123587-6	CHANGE LEVER ASS'Y		1				
	D10	INC. 5						
011	123549-4	GEAR ASSEMBLY		1				
012	266490-9	TAPPING SCREW PT 2X6		3				
013	620487-6	CONTROLLER		1				
014	629178-6	STATOR		1				
015	619393-0	ROTOR		1				
016	644813-5	TERMINAL		1				
017	183C34-7	HOUSING SET		1				
	D10	INC. 1						
A01	251314-2	+ SCREW M4X12		1				
A02	346909-5	HOOK		1				
A03	784244-7	+ BIT 2-50		1				
A04B	456128-6	BATTERY COVER		1				
A04C	456128-6	BATTERY COVER		1				
A04D	456128-6	BATTERY COVER		1				
A05B	***DC10WC	DC10WC BATTERY CHARGER		1				
	D10	COMPO-PARTS						
A05C	***DC10WC	DC10WC BATTERY CHARGER		1				
	D10	COMPO-PARTS						
A05D	***DC10WC	DC10WC BATTERY CHARGER		1				
	D10	COMPO-PARTS						
A06B	197390-1	BATTERY BL1015 SET		2				
A06C	197394-3	BATTERY BL1020B SET		2				
A06D	197394-3	BATTERY BL1020B SET		2				
A07B	821661-1	PLASTIC CARRYING CASE		1				
	C10	LATCH		2				
A07C	821661-1	PLASTIC CARRYING CASE		1				
	C10	LATCH		2				
A07D	821661-1	PLASTIC CARRYING CASE		1				
	C10	LATCH		2				