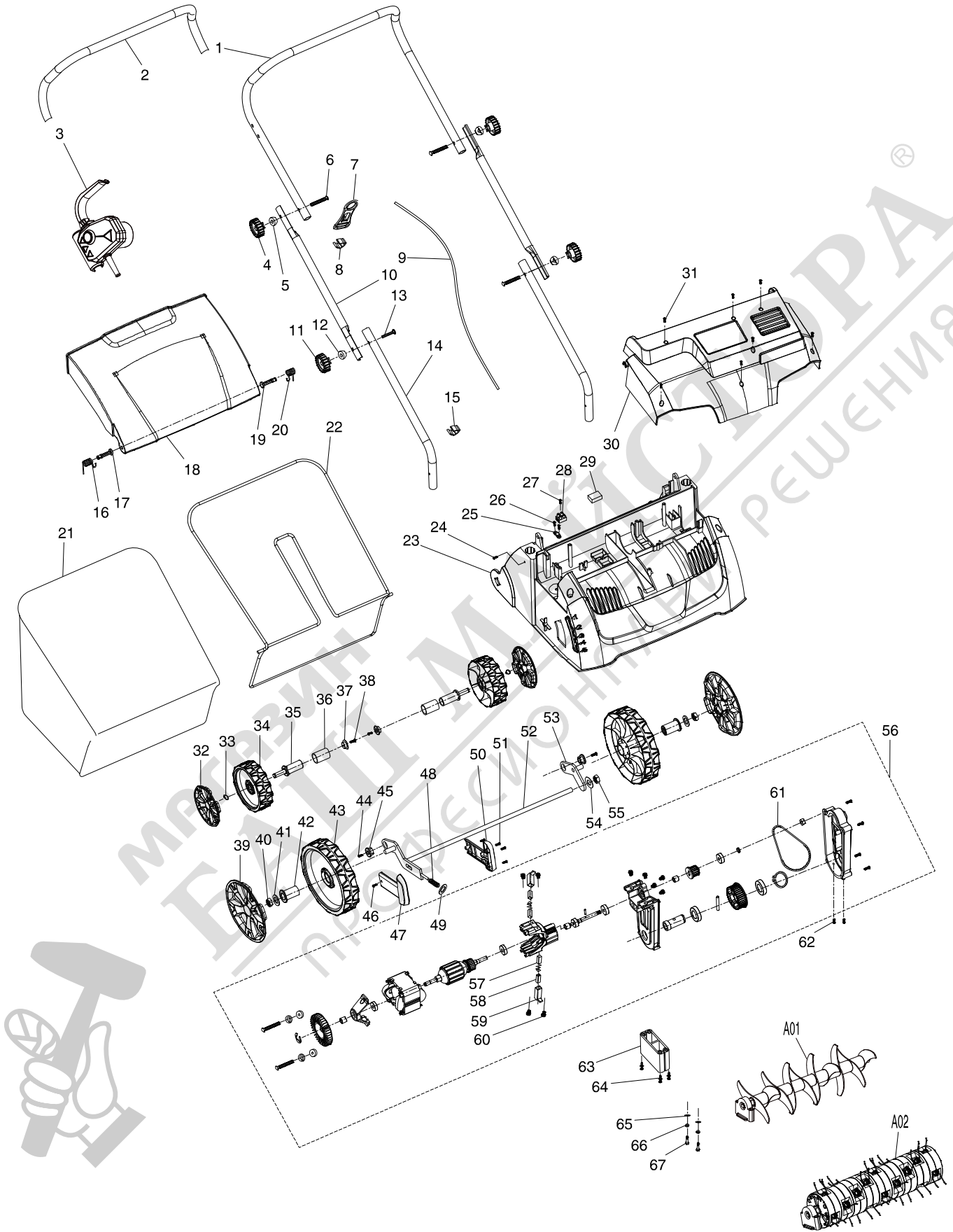


# Model No. UV3200 ELECTRIC SCARIFIER



# Model No. UV3200 ELECTRIC SCARIFIER

Item	Parts No.	Description	I/C	QTY	N/O	Opt. 1	Opt. 2	NOTE
001	652023913	UPPER HANDLE		1				
002	652024706	HANDLE SHEATH		1				
003	352027801	SWITCH BOX ASSY (UK PLUG)		1				
C10	652023791	TAPPING SCREW 4X18		6				
C20	652023982	CORD CLAMP		1				
C30	652026443	TAPPING SCREW 4X12		2				
004	652024072	KNOB NUT M6		2				
005	652024730	PLASTIC WASHER 6		2				
006	652023808	BOLT M6		2				
007	652023811	CABLE HANGER		1				
008	652024705	CABLE CLIP		1				
009	652023787	CONNECTION WIRE		1				
010	652023912	MIDDLE HANDLE		2				
011	652024072	KNOB NUT M6		2				
012	652024730	PLASTIC WASHER 6		2				
013	652023808	BOLT M6		2				
014	652023911	LOWER HANDLE		2				
015	652024705	CABLE CLIP		1				
016	652023990	TORSION SPRING LEFT(REAR FLAP		1				
017	652023989	PLASTIC PIN		1				
018	652023994	REAR FLAP		1				
019	652023989	PLASTIC PIN		1				
020	652023991	TORSION SPRING RIGHT(REAR FLAP		1				
021	652025250	GRASS CATCHER BAG MAKITA		1				
022	652024707	GRASS CATCHER BAG SUPPORT		1				
023	652025251	DECK BLUE		1				
024	652026446	TAPPING SCREW 5X25 WITH WR		2				
025	652023982	CORD CLAMP		1				
026	652026443	TAPPING SCREW 4X12		2				
027	652023983	TAPPING SCREW 3X18		1				
028	652023826	TERMINAL BLOCK		1				
029	652024708	CIRCUIT BOARD		1				
030	652023993	MOTOR COVER		1				
031	652024720	TAPPING SCREW 4X16		7				
032	652023904	REAR WHEEL COVER		2				
033	652023934	RETAINING RING S-10		2				
034	652023986	REAR WHEEL		2				
035	652023988	REAR WHEEL AXLE		2				
036	652023987	REAR WHEEL AXLE SLEEVE		2				
037	652023985	REAR AXLE CAP		2				
038	652026442	TAPPING SCREW 5X16 WITH WR		2				
039	652023905	WHEEL CAP		2				
040	652023973	NYLON INSERT HEX LOCK NUT M6		2				
041	652023937	FLAT WASHER 6		2				
042	652023981	FRONT WHEEL AXLE		2				
043	652023980	FRONT WHEEL		2				
044	652024712	TAPPING SCREW 5X18		2				
045	652023979	FRON AXLE CAP		2				

