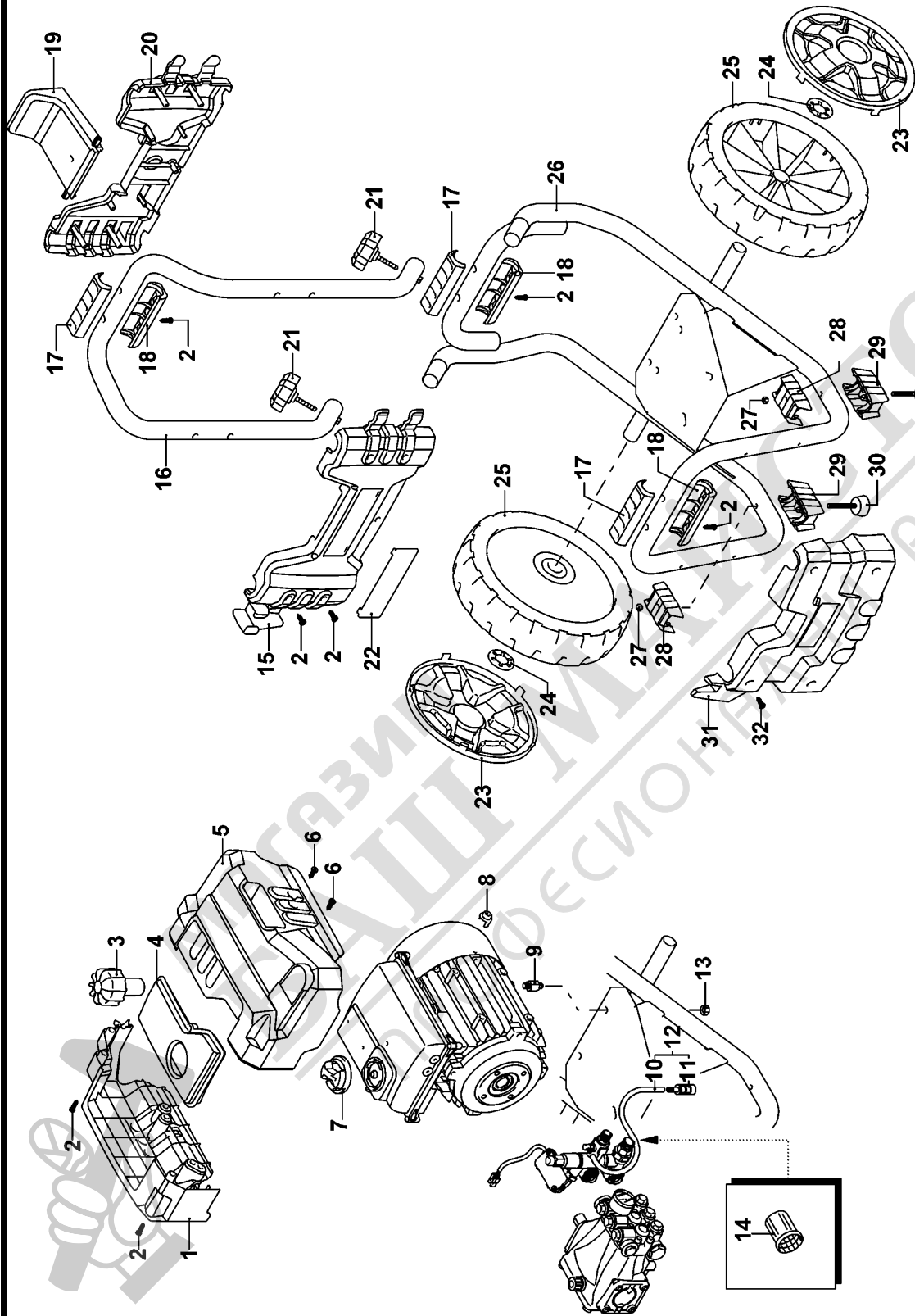
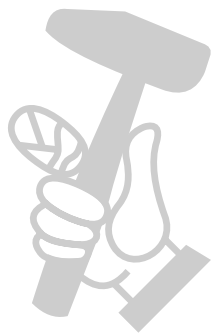
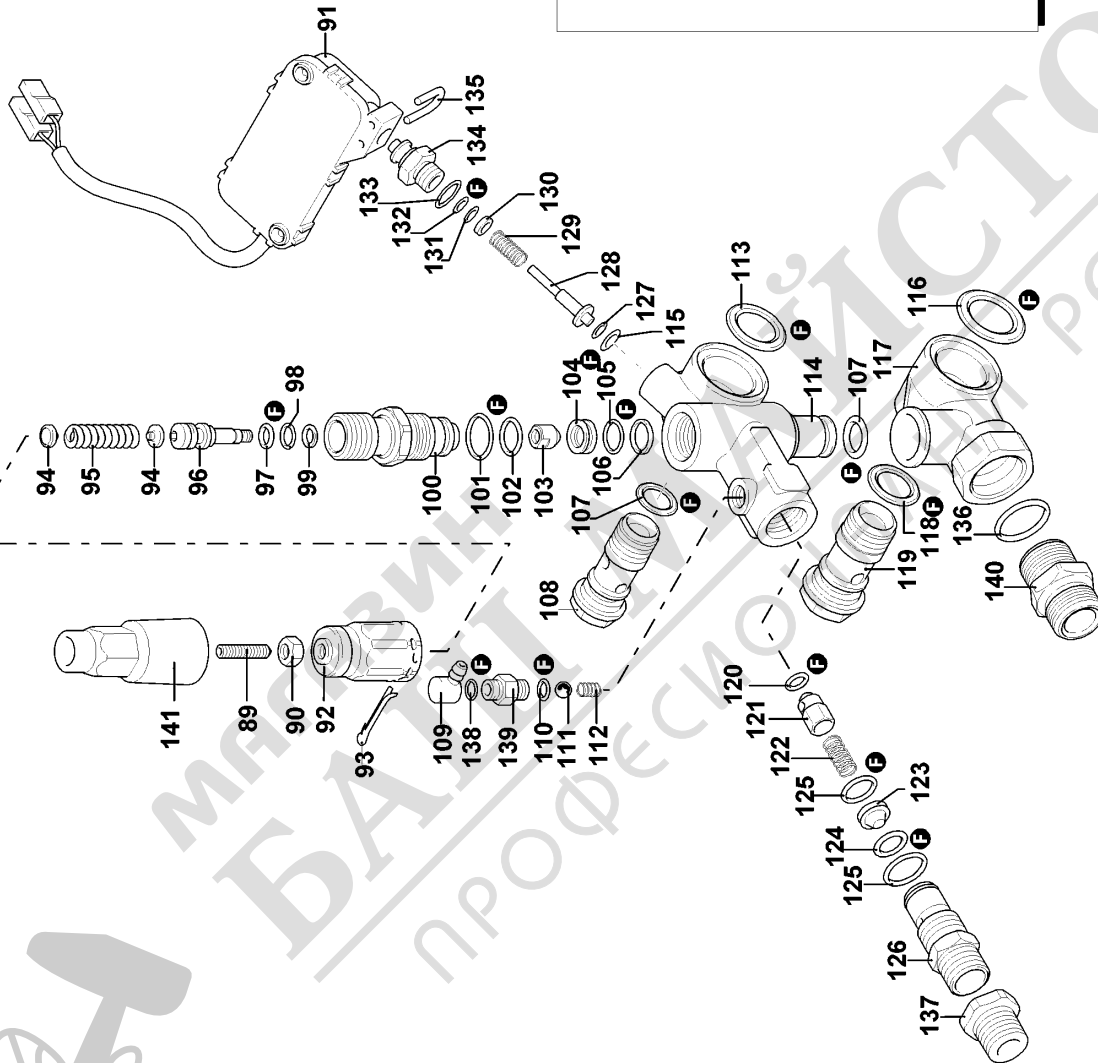
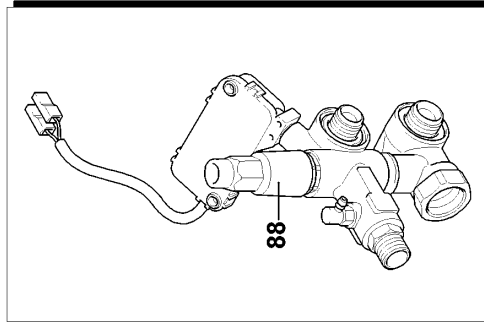
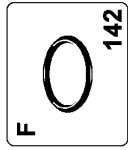
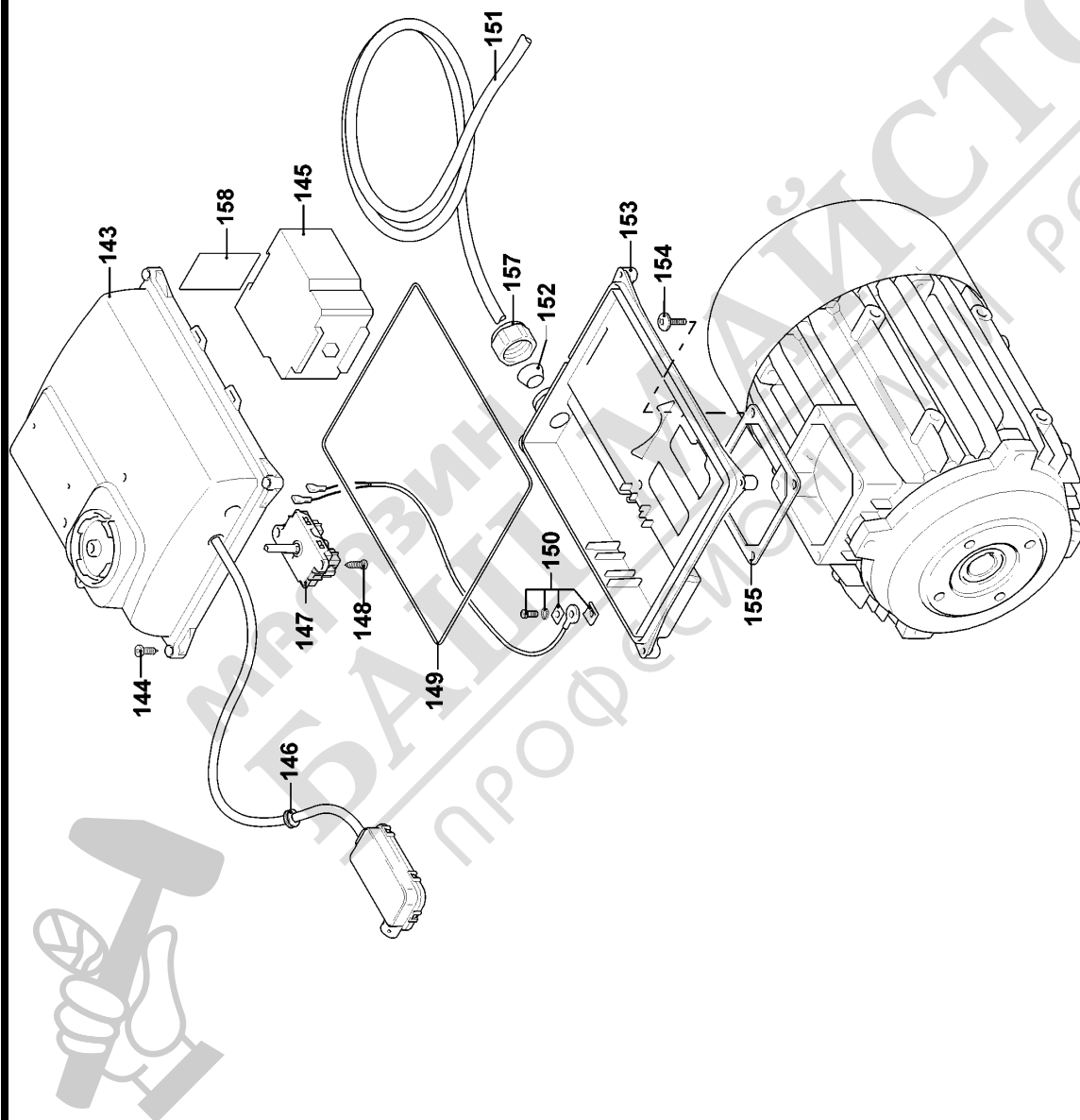
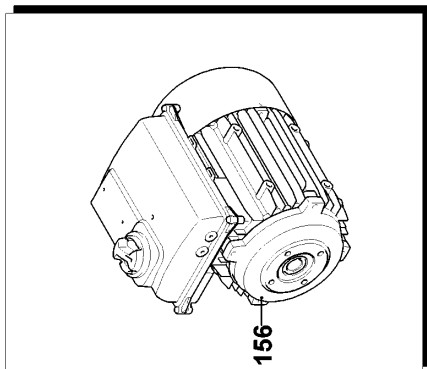


БАЙСКОРП
 ПРОФЕСИОНАЛНИ РЕШЕНИЯ





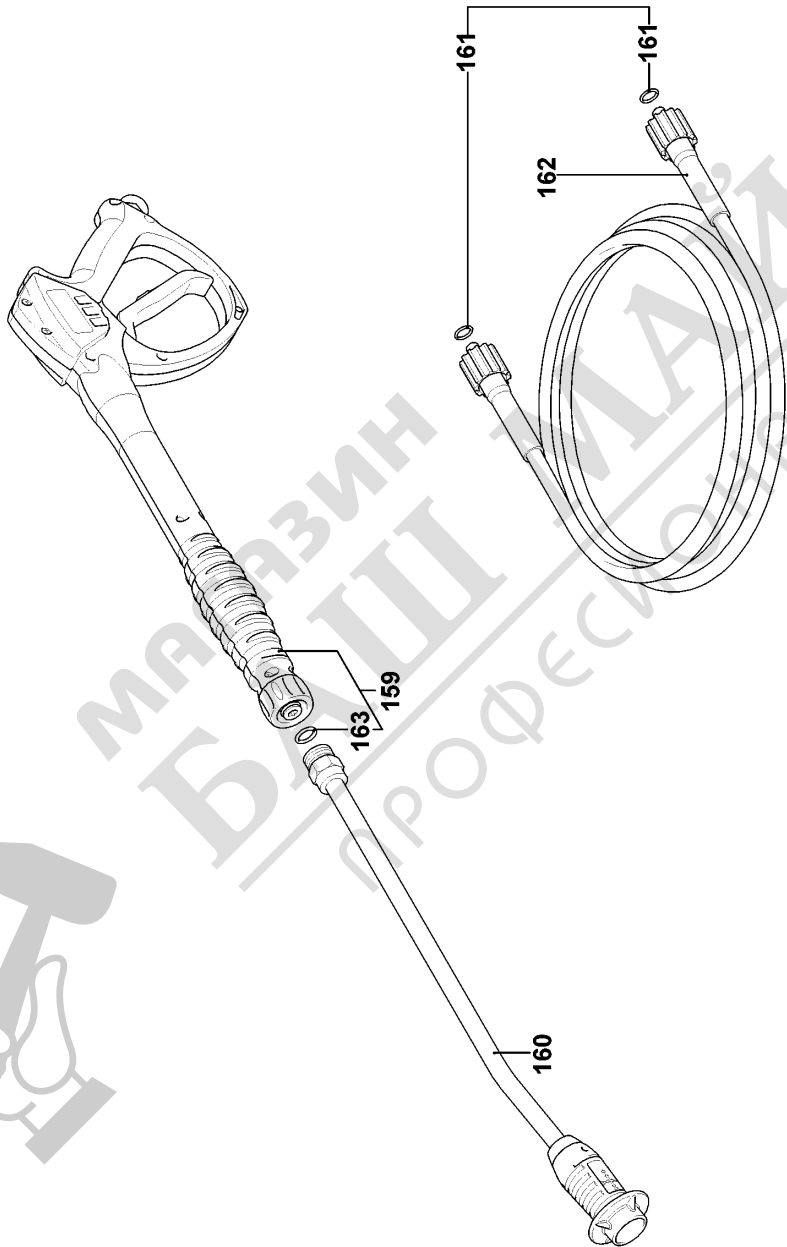
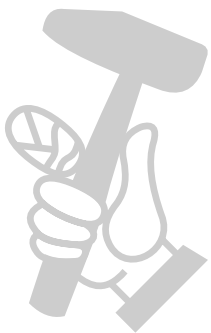
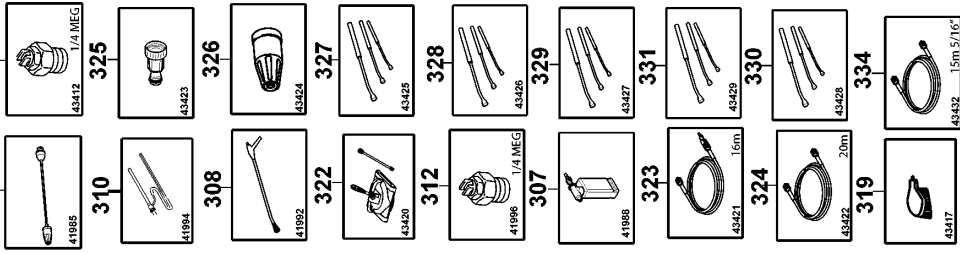
МАСТЕРСТОРА
БАЛТИЙСКИЕ РЕШЕНИЯ
ПРОФЕССИОНАЛЬНЫЕ РЕШЕНИЯ



МАСТЕРСКАЯ
ПРОФ. РЕШЕНИЯ

МАСТЕРСКАЯ
ПРОФ. РЕШЕНИЯ

Optional



МАГАЗИН МАЙСТОРА®
 БУШ ПРОФЕСИОНАЛНИ РЕШЕНИЯ

Parts List DXPW006E PRESSURE WASHER 1

Item	Part Number	Qty	Part Description	General Description	Other Info	Repair Inst	Markets
1	1004714-00	1	CASING			No	
2	1004712-13	17	SCREW			No	
3	1004712-40	1	KNOB			No	
4	1004714-24	1	SUPPORT			No	
5	1004713-99	1	CASING			No [®]	
6	1004709-59	4	SCREW			No	
7	1004713-73	1	KNOB			No	
8	1004714-10	4	SPACER			No	
9	1004712-37	4	BOLT			No	
10	1004710-70	1	HOSE	Detergent		No	
11	1004710-89	1	FILTER			No	
12	1004710-68	1	HOSE SA	inc 10+11		No	
13	1004709-67	4	NUT			No	
14	1004710-83	1	FILTER			No	
15	1004713-77	1	GUARD			No	
16	1004713-75	1	HANDLE			No	
17	1004713-64	3	GUARD			No	
18	1004713-65	3	GUARD			No	
19	1004713-85	1	CARRIER			No	
20	1004713-76	1	GUARD			No	
21	1004714-12	2	KNOB			No	
22	1004714-01	1	GUARD			No	
23	1004713-82	2	GUARD			No	
24	1004713-45	2	WASHER			No	
25	1004713-44	2	WHEEL			No	
26	1004713-74	1	FRAME			No	
27	1004710-34	2	NUT			No	
28	1004713-80	2	GUARD			No	
29	1004713-79	2	GUARD			No	
30	1004713-81	2	DAMPER			No	
31	1004713-78	1	GUARD			No	
32	1004712-12	4	SCREW			No	
33	1004710-20	6	PLUG			No	

Parts List DXPW006E PRESSURE WASHER 1

Item	Part Number	Qty	Part Description	General Description	Other Info	Repair Inst	Markets
34	1004710-22	6	O RING			No	
35	1004711-44	6	VALVE			No	
36	1004710-01	8	SCREW			No	
37	1004711-35	8	WASHER			No	
38	1004713-19	1	HEAD SA			No [®]	
39	1004709-60	1	O RING			No	
40	1004710-03	1	PLUG			No	
41	1004711-34	1	PRESSURE GAUGE			No	
42	1004713-34	1	RING			No	
43	1004711-93	1	BEARING			No	
44	1004709-63	1	RING			No	
45	1004711-80	3	RING			No	
46	1004711-84	3	SEAL			No	
47	1004713-10	3	RING			No	
48	1004713-27	3	GUIDE			No	
49	1004713-07	3	GASKET			No	
50	1004713-11	3	RING			No	
51	1004709-92	3	O RING			No	
52	1004713-26	3	GUIDE			No	
53	1004710-53	3	NUT			No	
54	1004710-52	3	WASHER			No	
55	1004711-79	3	PISTON			No	
56	1004710-51	3	PLATE			No	
57	1004710-57	3	SEAL	Oil		No	
58	1004713-18	1	PUMP SA	Body		No	
59	1004710-10	1	PLUG			No	
60	1004709-78	3	O RING			No	
61	1004713-22	3	PISTON			No	
62	1004713-23	3	PIN			No	
63	1004713-21	3	CON ROD			No	
64	1004709-86	1	O RING			No	
65	1004713-20	1	COVER			No	
66	1004713-08	4	SCREW			No	

Parts List DXPW006E PRESSURE WASHER 1

Item	Part Number	Qty	Part Description	General Description	Other Info	Repair Inst	Markets
67	1004710-05	1	O RING			No	
68	1004710-14	1	PLUG			No	
69	1004710-48	4	SCREW			No	
70	1004713-01	1	SUPPORT			No	
71	1004710-15	1	O RING			No [®]	
72	1004713-09	1	KEY			No	
73	1004727-74	1	LEVEL	Kit Level gauge		No	
74	1004709-85	1	O RING			No	
75	1004709-63	1	RING			No	
76	1004711-93	1	BEARING			No	
77	1004710-42	3	RING			No	
78	1004727-75	1	HEAD SA			No	
79	1004709-07	1	PUMP SA			No	
80	1004713-35	1	CRANKSHAFT			No	
81	1004708-95	1	VALVE KIT	A		No	
82	1004708-93	1	PISTON KIT	B		No	
83	1004709-30	1	SEALS KIT	C		No	
84	1004709-31	1	SEALS KIT	E		No	
85	1004709-32	1	GASKET SET	F		No	
86	1004708-92	1	RING	G		No	
88	1004709-09	1	VALVE			No	
89	1004712-72	1	SCREW			No	
90	1004710-34	1	NUT			No	
91	1004729-46	1	TERMINAL BOX	TSS AS		No	
92	1004712-45	1	INSERT			No	
93	1004712-46	1	PIN			No	
94	1004711-87	2	PLATE			No	
95	1004712-59	1	SPRING			No	
96	1004712-58	1	PISTON			No	
97	1004712-21	1	O RING			No	
98	1004709-88	1	O RING			No	
99	1004712-52	1	RING			No	
100	1004712-60	1	GUIDE			No	

Parts List DXPW006E PRESSURE WASHER 1

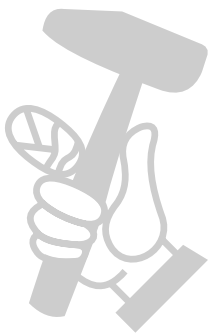
Item	Part Number	Qty	Part Description	General Description	Other Info	Repair Inst	Markets
101	1004710-49	1	O RING			No	
102	1004709-75	5	O RING			No	
103	1004712-20	1	SHUTTER			No	
104	1004712-62	1	SEAT			No	
105	1004709-91	1	O RING			No [®]	
106	1004712-61	1	RING			No	
107	1004709-69	2	O RING			No	
108	1004711-61	1	SCREW			No	
109	1004712-33	1	CONNECTOR			No	
110	1004709-78	1	O RING			No	
111	1004710-50	1	BALL			No	
112	1004711-70	1	SPRING			No	
113	1004712-22	1	O RING			No	
114	1004713-47	1	VALVE BODY			No	
115	1004710-44	1	O RING			No	
116	1004711-65	1	O RING			No	
117	1004713-48	1	BODY			No	
118	1004710-11	1	O RING			No	
119	1004712-23	1	SCREW			No	
120	1004712-14	1	O RING			No	
121	1004712-50	1	SHUTTER			No	
122	1004712-51	1	SPRING			No	
123	1004712-49	1	INSERT			No	
124	1004711-57	1	O RING			No	
125	1004712-56	1	O RING			No	
126	1004712-54	1	COUPLING			No	
127	1004712-26	1	RING			No	
128	1004712-25	1	PIN			No	
129	1004712-24	1	SPRING			No	
130	1004712-06	1	WASHER			No	
131	1004710-63	1	O RING			No	
132	1004713-50	1	RING			No	
133	1004709-81	1	O RING			No	

Parts List DXPW006E PRESSURE WASHER 1

Item	Part Number	Qty	Part Description	General Description	Other Info	Repair Inst	Markets
134	1004713-49	1	CONNECTOR			No	
135	1004712-09	1	FORK			No	
136	1004709-77	1	O RING			No	
137	1004710-45	1	COUPLING			No	
138	1004709-79	1	O RING			No [Ⓜ]	
139	1004711-02	1	CONNECTOR			No	
140	1004713-46	1	COUPLING			No	
141	1004714-08	1	EXTENSION			No	
142	1004709-40	1	GASKET SET	F		No	
143	1004713-97	1	BOX			No	
144	1004712-47	4	SCREW			No	
145	1004712-41	1	CONTACT			No	
146	1004712-04	1	GLAND			No	
147	1004712-80	1	SWITCH			No	XJ
148	1004712-01	2	SCREW			No	
149	1004713-95	1	O RING			No	
150	1004710-67	1	CLAMP			No	
151	1004711-76	1	CABLE			No	
152	1004755-74	1	GASKET			No	
153	1004713-96	1	PLATE			No	
154	1004714-06	4	SCREW			No	
155	1004711-75	1	GASKET			No	
156	1004709-45	1	MOTOR			No	
157	1004713-94	1	GLAND			No	
158	1004714-07	1	GUIDE			No	
159	1004709-17	1	HANDLE SA	MV2009		No	
160	1004709-22	1	EXTENSION			No	
161	1004712-02	2	O RING			No	
162	1004714-11	1	HOSE	10M - High Pressure		No	
163	1004709-73	1	O RING			No	
304	1004719-42	1	EXTENSION	+ Rotary Nozzle	Optional	No	
307	1004719-45	1	EXTENSION		Optional	No	
308	1004719-46	1	EXTENSION		Optional	No	

Parts List DXPW006E PRESSURE WASHER 1

Item	Part Number	Qty	Part Description	General Description	Other Info	Repair Inst	Markets
310	1004719-48	1	EXTENSION	Sand Blasting Kit	Optional	No	
312	1004719-50	1	NOZZLE	Low Pressure	Optional	No	
316	1004719-54	1	NOZZLE		Optional	No	
319	1004719-57	1	BRUSH	Rotary	Optional	No	
322	1004719-60	1	HEAD SA	Patio	Optional	No	Ⓜ
323	1004719-61	1	HOSE	Pipe Drain 16m	Optional	No	
324	1004719-62	1	HOSE	Pipe Drain 20m	Optional	No	
325	1004719-63	1	COUPLING	Click fast	Optional	No	
326	1004719-64	1	COUPLING	Click fast	Optional	No	
327	1004719-65	1	EXTENSION	Kit - RE90	Optional	No	
328	1004719-66	1	EXTENSION	Kit - RE120	Optional	No	
329	1004719-67	1	EXTENSION	Kit - RE150	Optional	No	
330	1004719-68	1	EXTENSION	Kit - RE170	Optional	No	
331	1004719-69	1	EXTENSION	Kit - RE200	Optional	No	
334	1004719-72	1	HOSE	15m 5/16"	Optional	No	



МАГАЗИН МАШИН МАСТЕРСКОЕ
 БАШ МАШИН МАСТЕРСКОЕ
 ПРОФЕССИОНАЛНИ РЕШЕНИЯ