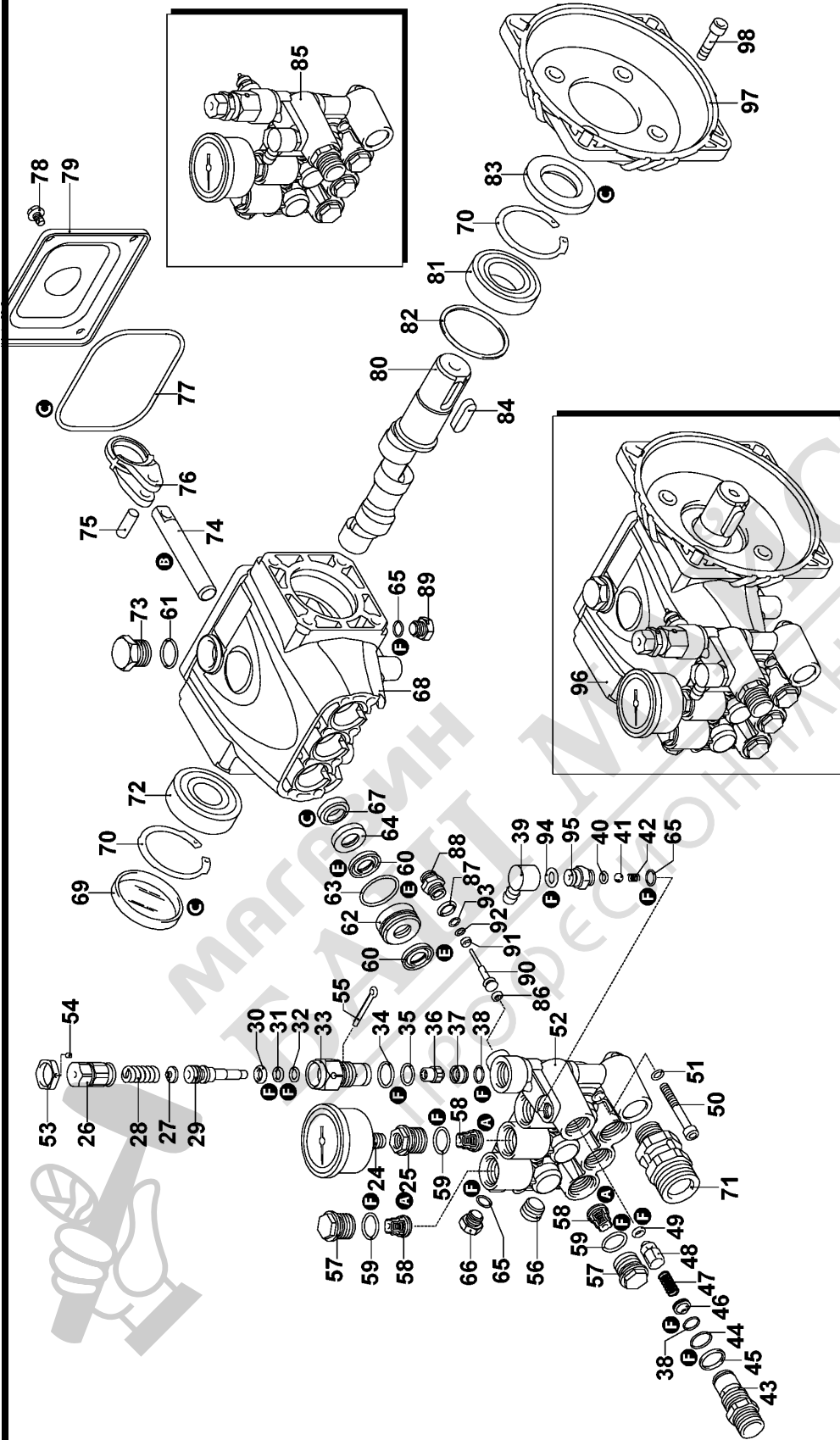
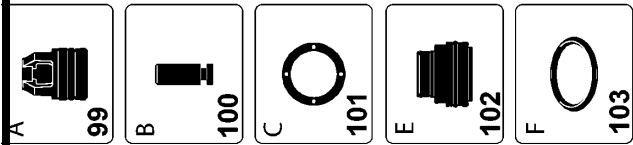


МАГАЗИН  
БЫТОВЫХ РЕШЕНИЙ  
ФАКТОРА®



## Parts List DXPW002CE PRESSURE WASHER 1

Item	Part Number	Qty	Part Description	General Description	Other Info	Repair Inst	Markets
1	1004743-72	1	SCREW			No	
2	1004743-85	1	KNOB			No	
3	1004712-13	11	SCREW			No	
4	1004743-86	1	GUARD			No	
5	1004743-75	1	COVER-TOP			No <sup>®</sup>	
6	1004714-01	1	GUARD			No	
7	1004743-84	1	CLAMP			No	
8	1004743-77	1	SUPPORT			No	
9	1004743-83	1	SUPPORT			No	
10	1004743-81	1	GUARD			No	
11	1004714-17	4	SCREW			No	
12	1004710-60	4	SCREW			No	
13	1004710-70	1	HOSE	Detergent		No	
14	1004710-89	1	FILTER			No	
15	1004743-76	1	BASE SA			No	
16	1004714-16	2	FOOT			No	
17	1004710-12	8	SCREW			No	
18	1004713-73	1	KNOB			No	
19	1004743-78	1	GUARD			No	
20	1004743-82	1	GUARD			No	
21	1004743-80	1	GUARD			No	
22	1004743-79	1	HANDLE			No	
23	1004700-77	1	COUPLING SA			No	
24	1004730-85	1	PRESSURE GAUGE			No	
25	1004744-22	1	PLUG			No	
26	1004743-73	1	SCREW			No	
27	1004711-87	1	PLATE			No	
28	1004744-07	1	SPRING			No	
29	1004743-98	1	PISTON			No	
30	1004712-21	1	O RING			No	
31	1004709-88	1	O RING			No	
32	1004712-52	1	RING			No	
33	1004743-74	1	GUIDE			No	

## Parts List DXPW002CE PRESSURE WASHER 1

Item	Part Number	Qty	Part Description	General Description	Other Info	Repair Inst	Markets
34	1004709-90	1	O RING			No	
35	1004710-05	1	O RING			No	
36	1004743-70	1	PISTON			No	
37	1004744-35	1	SEAT			No	
38	1004711-57	2	O RING			No <sup>®</sup>	
39	1004712-33	1	CONNECTOR			No	
40	1004709-78	1	O RING			No	
41	1004710-50	1	BALL			No	
42	1004711-70	1	SPRING			No	
43	1004743-66	1	COUPLING			No	
44	1004712-56	1	O RING			No	
45	1004709-75	1	O RING			No	
46	1004712-49	1	INSERT			No	
47	1004712-51	1	SPRING			No	
48	1004744-23	1	SHUTTER			No	
49	1004712-14	1	O RING			No	
50	1004711-14	8	SCREW			No	
51	1004743-96	8	WASHER			No	
52	1004743-88	1	HEAD			No	
53	1004744-30	1	NUT			No	
54	1004743-71	1	SCREW			No	
55	1004712-46	1	PIN			No	
56	1004744-34	2	PLUG			No	
57	1004712-65	6	PLUG			No	
58	1004712-74	6	VALVE	COMPLETE VALVE		No	
59	2841520	6	O RING			No	
60	1004712-18	6	SEAL			No	
61	1004709-90	1	O RING			No	
62	1004712-69	3	BUSHING			No	
63	1004709-93	3	O RING			No	
64	1004743-67	3	BUSH			No	
65	1004744-43	3	O RING			No	
66	1004743-68	1	PLUG			No	

## Parts List DXPW002CE PRESSURE WASHER 1

Item	Part Number	Qty	Part Description	General Description	Other Info	Repair Inst	Markets
67	1004711-74	3	SEAL			No	
68	1004743-87	1	PUMP SA	Body		No	
69	1004743-97	1	COVER			No	
70	1004744-04	2	RING			No	
71	1004744-06	1	COUPLING			No <sup>®</sup>	
72	1004743-95	1	BEARING			No	
73	1004711-91	1	PLUG			No	
74	1004743-90	3	PISTON			No	
75	1004743-91	3	PIN			No	
76	1004743-92	3	CON ROD			No	
77	1004743-93	1	O RING			No	
78	1004744-01	4	SCREW			No	
79	1004743-89	1	COVER			No	
80	1004744-03	1	SHAFT			No	
81	1004743-94	1	BEARING			No	
82	1004743-99	1	RING			No	
83	1004744-00	1	SEAL			No	
84	1004711-28	1	KEY			No	
85	1004744-09	1	HEAD SA			No	
86	1004710-44	1	O RING			No	
87	1004709-81	1	O RING			No	
88	1004744-08	1	PLUG			No	
89	1004743-68	1	PLUG			No	
90	1004744-05	1	PIN			No	
91	1004712-06	1	WASHER			No	
92	1004710-62	1	O RING			No	
93	1004713-50	1	RING			No	
94	1004709-79	1	O RING			No	
95	1004711-02	1	CONNECTOR			No	
96	1004743-58	1	PUMP SA			No	
97	1004743-69	1	FLANGE			No	
98	1004710-12	4	SCREW			No	
99	1004744-27	1	VALVES & SEALS KIT	A		No	

## Parts List DXPW002CE PRESSURE WASHER 1

Item	Part Number	Qty	Part Description	General Description	Other Info	Repair Inst	Markets
100	1004744-15	1	PISTON KIT	B		No	
101	1004743-59	1	SEALS KIT	C		No	
102	1004744-26	1	SEALS KIT	E		No	
103	1004744-28	1	GASKET SET	F		No	
104	1004710-55	1	FAN			No <sup>®</sup>	
105	1004710-85	1	SEAL			No	
106	1004711-14	4	SCREW			No	
107	1004711-12	1	SHIELD			No	
108	1004710-84	1	BEARING			No	
109	1004710-67	1	CLAMP			No	
110	1004710-86	1	GASKET			No	
111	1004712-01	2	SCREW			No	
112	1004712-80	1	SWITCH			No	
113	1004713-52	1	BOX			No	
114	1004710-64	4	SCREW			No	
115	1004711-95	1	CAPACITOR			No	
116	1004711-97	1	CLAMP			No	
117	1004712-04	2	GLAND			No	
118	1004743-65	1	BOX	TSS		No	
119	1004744-38	1	FORK			No	
120	1004714-18	1	CORDSET			No	QS
121	1004743-64	1	MOTOR SA			No	
122	1004711-55	1	GLAND			No	
123	1004709-16	1	HANDLE SA	MV2008		No	
124	1004743-61	1	EXTENSION			No	
125	1004712-02	2	O RING			No	
126	1004714-04	1	HOSE	8M - High Pressure		No	
127	1004709-73	1	O RING			No	